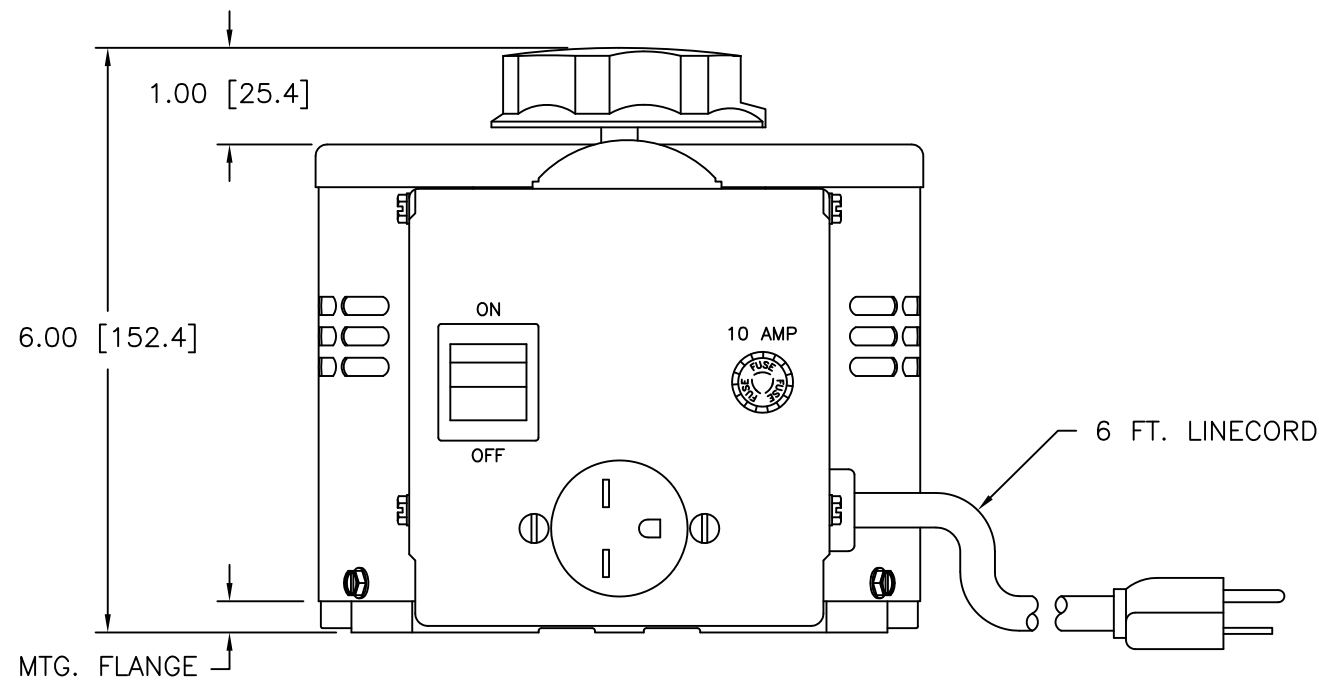
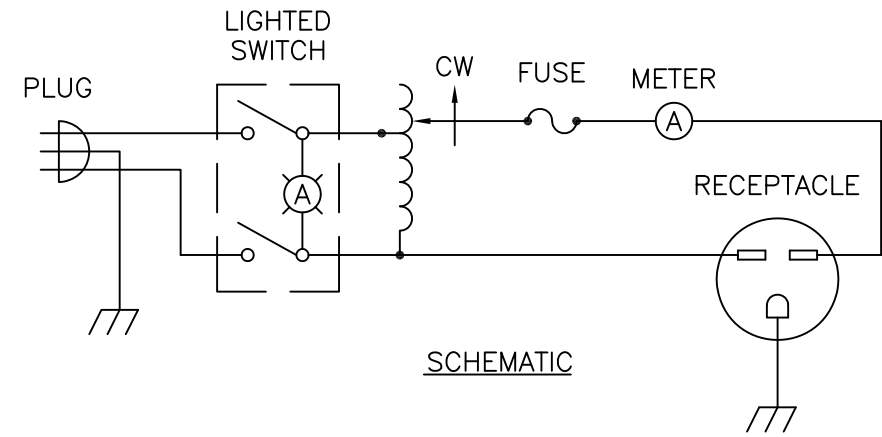
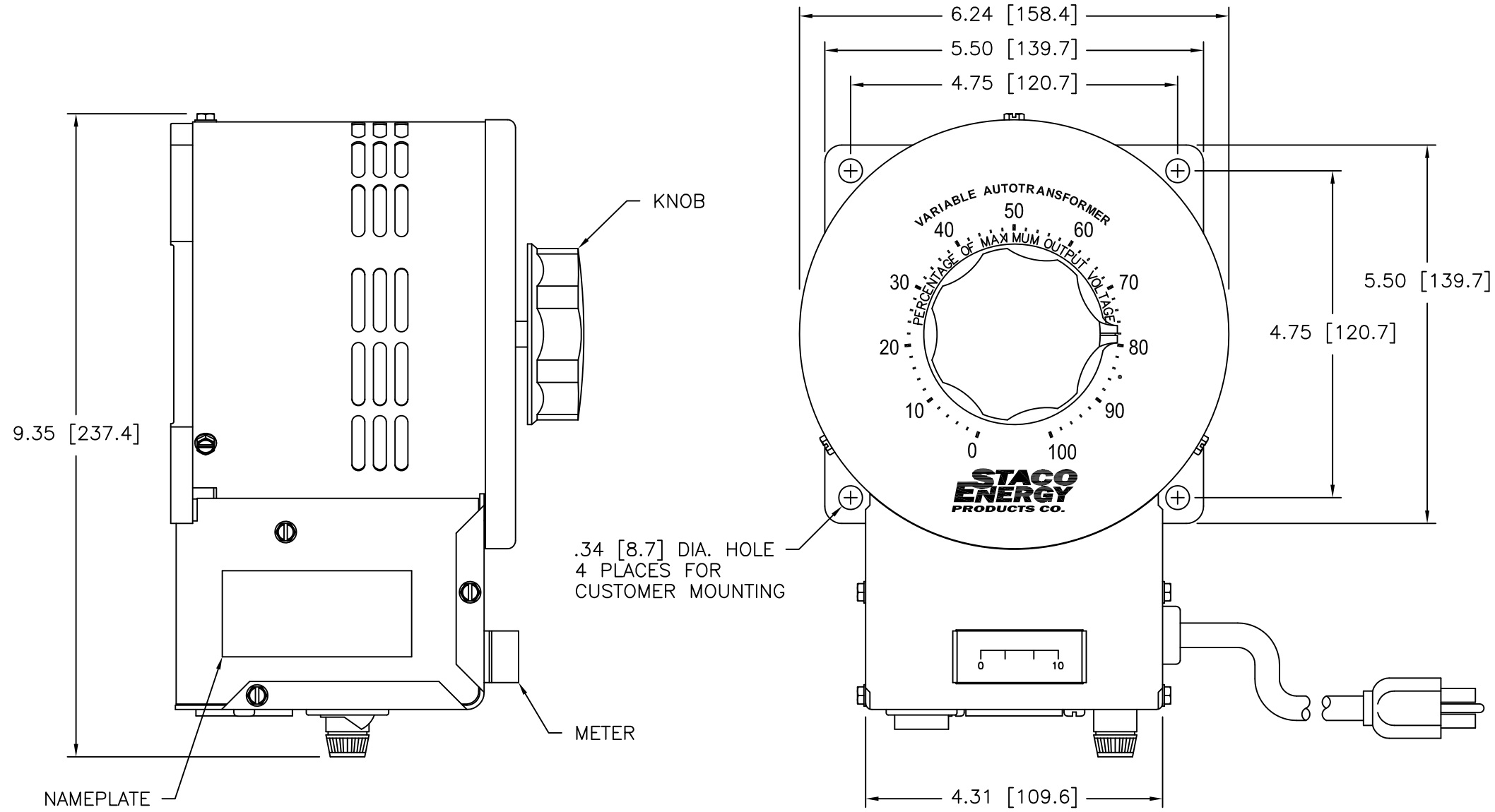


DWG. NO.	031-3947		
DWG. SIZE	D		
REVISIONS			
SYM.	E.C.N.	DATE	APVD.
A	24185	2/28/00	ROTATED RECEPTACLE
B	24536	3/13/01	REVISED SILKSCREEN



SPECIFICATIONS					
WIRING	INPUT		OUTPUT		
	VOLTS	HERTZ	VOLTS	CONSTANT CURRENT LOAD	
				MAX. AMPS	MAX. KVA
SINGLE PHASE	240	50/60	0-280	9.5	2.66

UNLESS OTHERWISE SPECIFIED, TOLERANCE IS ±		UNITS		TITLE: SPEC. CONTROL DRAWING		DRAWN BY		DATE		FIRST USED ON		DO NOT	
DECIMALS	HOLES	ANGLES	DRAFT	IN [mm]		S.A. SMITH		5/17/96		3PN1520BA		SCALE DWG.	
.XX	.0005	1°	1-1/2"			CHECKER				WEIGHT APPROX.		CAGE CODE	
						ENGINEER				22 LBS		83008	
										SCALE		SHEET 1 OF 1	
										D		DWG. NO. 031-3947	



The information and design disclosed herein was originated by and is the property of STACO ENERGY PRODUCTS CO., which reserves all patent, proprietary, design, manufacturing, reproduction, use and sale rights thereto, and to any article disclosed therein except to the extent rights are expressly granted to others. The foregoing does not apply to vendor proprietary parts.