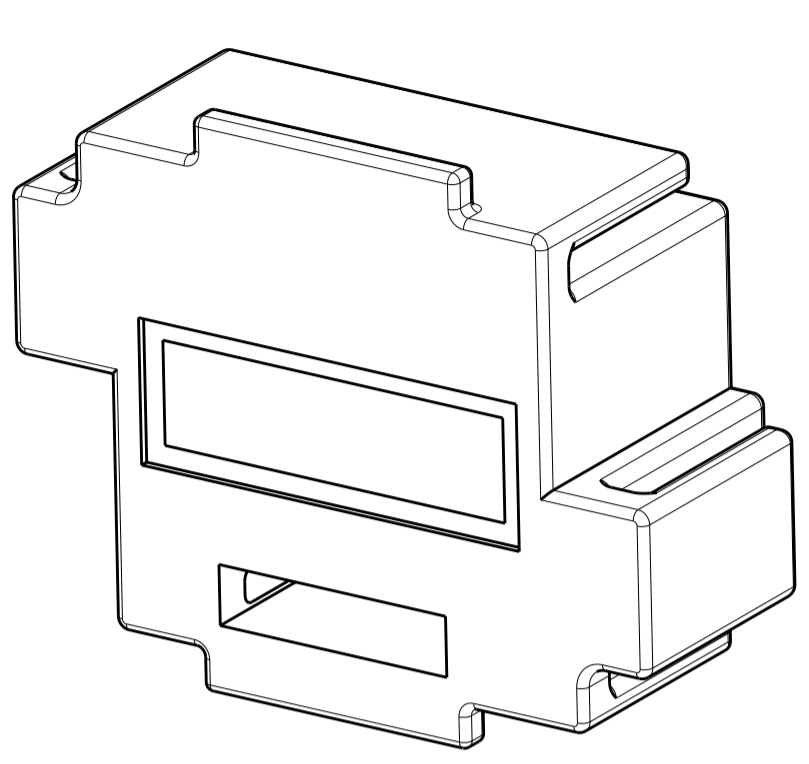
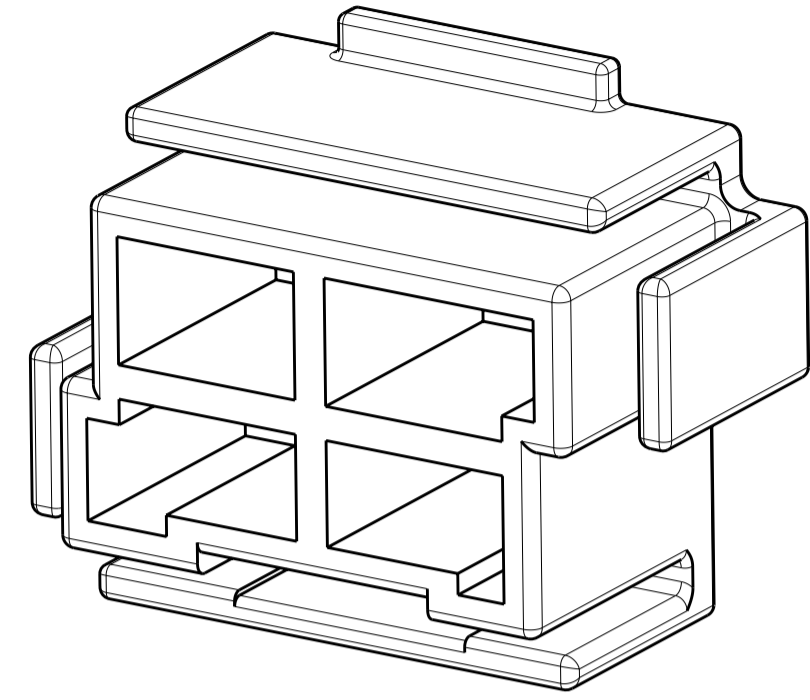


THIS DRAWING IS UNPUBLISHED. RELEASED FOR PUBLICATION 20
 © COPYRIGHT 20 BY TYCO ELECTRONICS CORPORATION. ALL RIGHTS RESERVED.

| LOC | DIST | REVISIONS | | | | | |
|-----|------|-----------|-----|---------------|---------|-----|------|
| GP | 00 | P | LTR | DESCRIPTION | DATE | DWN | APVD |
| | | B | | ECO-10-015550 | 02AUG10 | HMR | JP |
| | | | | | | | |
| | | | | | | | |

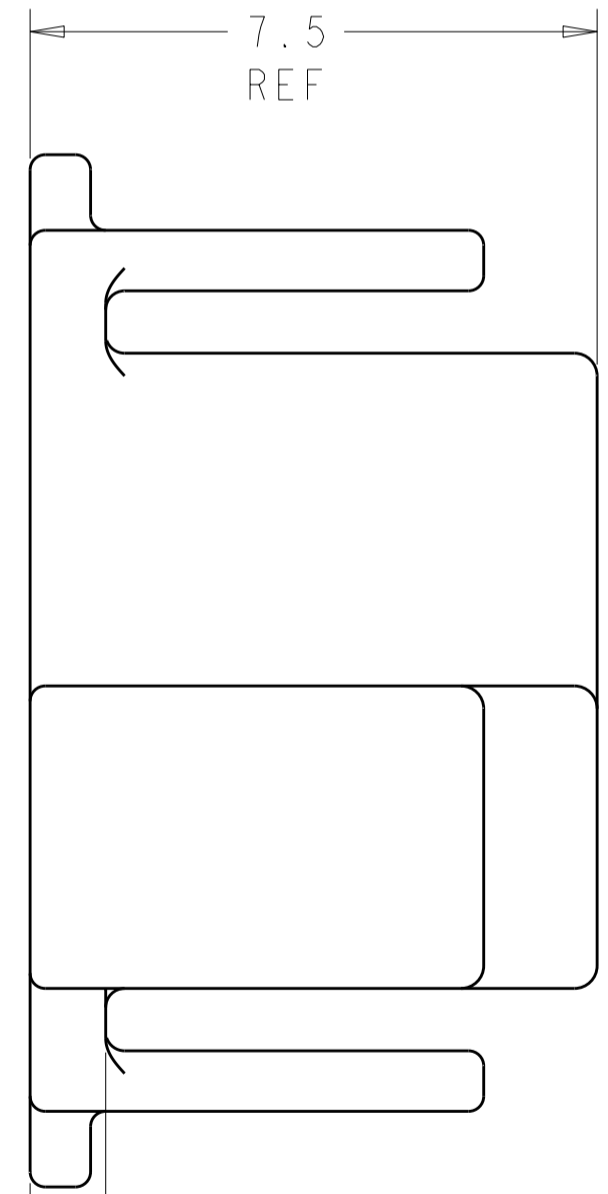
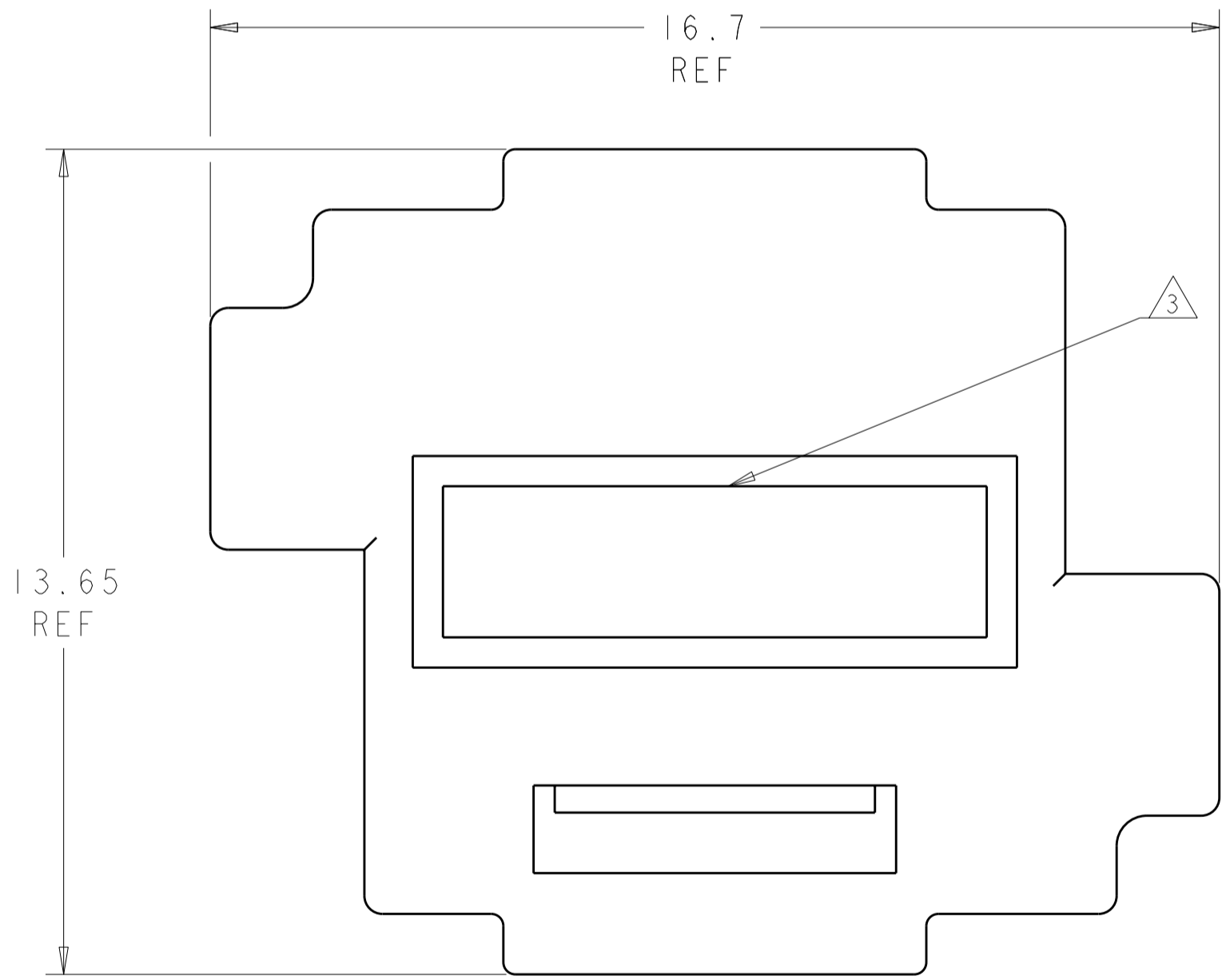


SCALE 6:1



SCALE 6:1

- 1 MATERIAL: PBT
- 2. MUST BE REMOVED FROM PORT OPENING PRIOR TO THE CAGE INSERTION TO THE BEZEL.
- 3 COMPANY LOGO IN APPROXIMATE AREA SHOWN



(1)

1888402-1
PART NUMBER

| | | | |
|--|---|--|---|
| <small>THIS DRAWING IS A CONTROLLED DOCUMENT FOR TYCO ELECTRONICS CORPORATION. IT IS SUBJECT TO CHANGE AND THE CONTROLLING ENGINEERING ORGANIZATION SHOULD BE CONTACTED FOR THE LATEST REVISION.</small> | | DWN B. MCMASTER 15AUG07 CHK J. KOPPENHEFFER 15AUG07 APVD J. KOPPENHEFFER 15AUG07 | Tyco Electronics Harrisburg, PA 17105-3608 |
| DIMENSIONS: mm | TOLERANCES UNLESS OTHERWISE SPECIFIED: 0 PLC ± 1 PLC ± 2 PLC ± 3 PLC ± 4 PLC ± ANGLES ± FINISH | PRODUCT SPEC APPLICATION SPEC WEIGHT | NAME PROTECTIVE CAP, SFP+, ENHANCED EMI |
| MATERIAL | CUSTOMER DRAWING | SIZE A200779 | DRAWING NO C-1888402 |
| | | SCALE 10:1 | SHEET 1 OF 1 REV B |