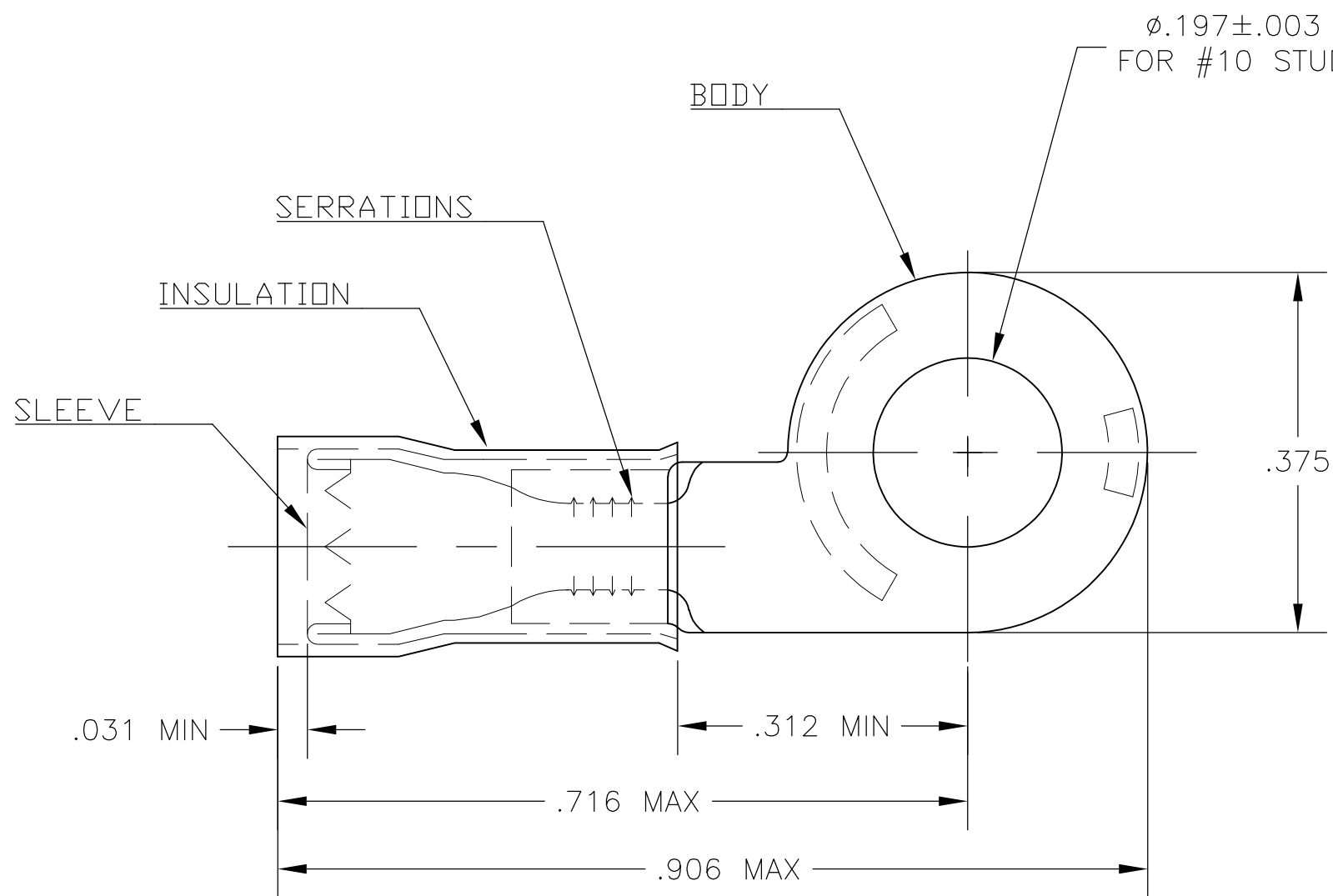


THIS DRAWING IS UNPUBLISHED. RELEASED FOR PUBLICATION  
 © COPYRIGHT BY TYCO ELECTRONICS CORPORATION. ALL INTERNATIONAL RIGHTS RESERVED.

LOC	DIST	REVISIONS					
G	02	P	LTR	DESCRIPTION	DATE	DWN	APVD
				E1 REDRAWN PER ECR 09-018897	08SEPT09	JR	TM



- 1 TONGUE MATERIAL THK IS .031±.002
- 2 FOR .105-.150 WIRE INSULATION DIA

OBSOLETE

1	323818 ON TAPE	BODY & SLEEVE: COPPER PER ASTM B-152 TIN PL PER ASTM B545	<del>2-323818-2</del>
1	WIRE TERMINAL	INSULATION: NYLON PER MIL-M-20693, TYPE 1, COLOR-BLUE	323818
QTY	DESCRIPTION	MATERIAL & FINISH	PART NO

THIS DRAWING IS A CONTROLLED DOCUMENT.		DWN jr_ruth 08SEPT09	Tyco Electronics Corporation Harrisburg, PA 17105-3608	
DIMENSIONS: INCHES		CHK TOM MICHIELUTTI 08SEPT09	NAME TERMINAL, PIDG, NYLON, RING TONGUE, OFFSET, WIRE SIZE: 16-14	
TOLERANCES UNLESS OTHERWISE SPECIFIED:		APVD TOM MICHIELUTTI 08SEPT09	PRODUCT SPEC	
0 PLC ± - 1 PLC ± - 2 PLC ± - 3 PLC ± .008 4 PLC ± - ANGLES ± 5°		APPLICATION SPEC	RESTRICTED TO	
MATERIAL	FINISH	WEIGHT	SIZE A3	CAGE CODE 00779
-	-	-	DRAWING NO G-323818	SCALE 6:1
CUSTOMER DRAWING			SHEET 1 OF 1	REV E1