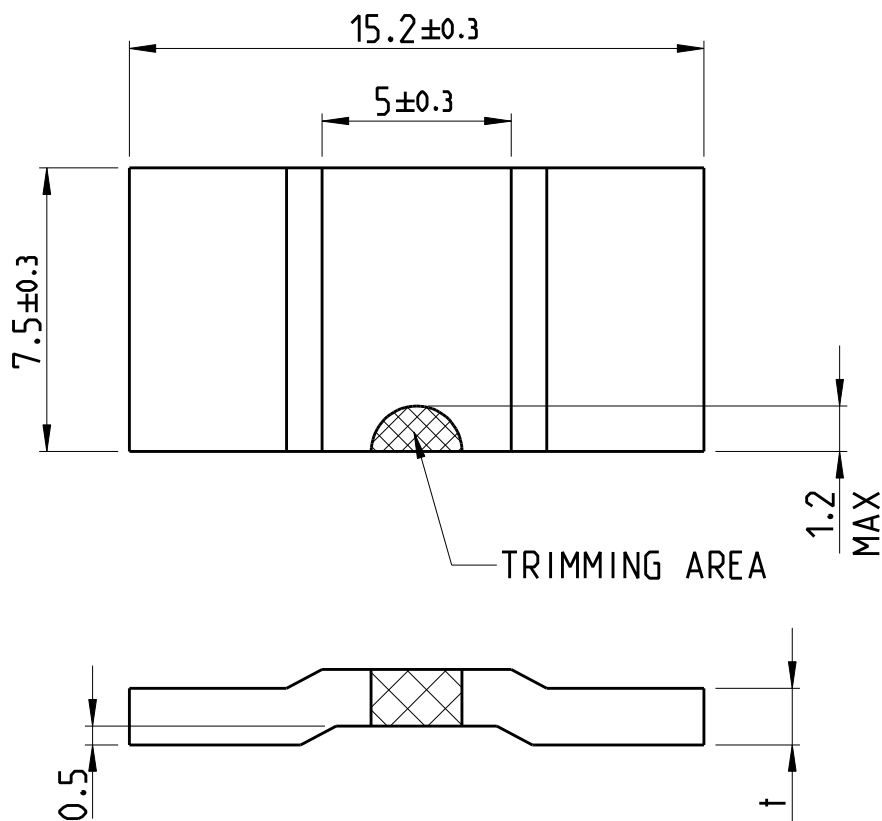
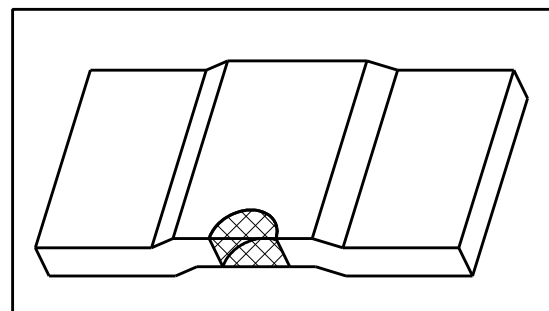


LOC	DIST	REVISIONS					
A1	-	P	LTR	DESCRIPTION	DATE	DWN	APVD
		A		NEW DRAWING	28FEB2012	DMS	ST.P



NOTE:
FOR FURTHER INFORMATION PLEASE SEE TLRS SERIES DATA SHEET

VALUE	THICKNESS (t) IN MM	WEIGHT (G)
$0.2\text{m}\Omega$	1.50 ± 0.05	0.590
$0.5\text{m}\Omega$	0.56 ± 0.05	0.590
$1\text{m}\Omega$	0.90 ± 0.05	0.940
$2\text{m}\Omega$	0.45 ± 0.05	0.470
$3\text{m}\Omega$	0.30 ± 0.05	0.320



2011

RELEASED FOR PUBLICATION

ALL RIGHTS RESERVED.

THIS DRAWING IS UNPUBLISHED.

© COPYRIGHT 2011

DIMENSIONS: mm	DWN DARSHAN MS	28FEB2012	MATERIAL	-	FINISH	-
TOLERANCES UNLESS OTHERWISE SPECIFIED:	CHK ALLAN P	28FEB2012				
0 PLC \pm	APVD STEPHEN.P	28FEB2012				
1 PLC \pm	PRODUCT SPEC	-	NAME CHIP SHUT RESISTOR TLRS 1575 SERIES			
2 PLC \pm	APPLICATION SPEC	-	SIZE	CAGE CODE	DRAWING NO	RESTRICTED TO
3 PLC \pm	-	-	A 4	00779	C-2176077	-
4 PLC \pm	WEIGHT	-	CUSTOMER DRAWING			
ANGLES \pm			SCALE	4:1	SHEET	1 OF 1
			REV A			