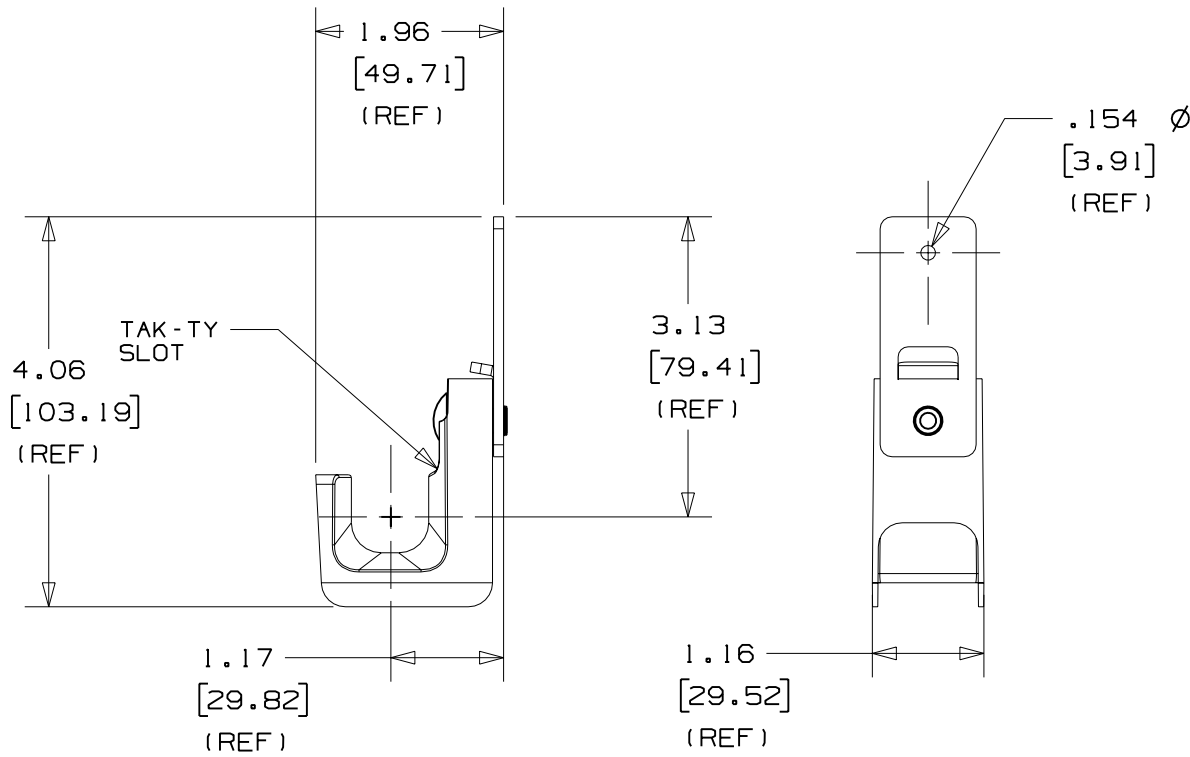
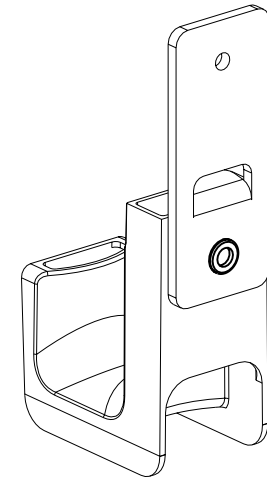


THIS COPY IS PROVIDED ON A RESTRICTED BASIS AND IS NOT TO BE USED IN ANY WAY DETRIMENTAL TO THE INTERESTS OF PANDUIT CORP.



|                     |                             |
|---------------------|-----------------------------|
| PANDUIT<br>PART NO. | WEIGHT<br>lbs 10<br>(g) pcs |
| JP75WP-___          | 0.35<br>(158.8)             |



NOTES:

- SEE CURRENT PRICE SHEET FOR PART NUMBER SUFFIX DESIGNATION FOR PACKAGE SIZE AND PRODUCT COLOR.
- HOOK MATERIAL: NYLON 6/6  
PLATE MATERIAL: PRE-GALVANIZED STEEL  
RIVET MATERIAL: ALUMINUM
- PRODUCT IS DESIGNED TO SUPPORT A MAXIMUM OF 3/4" (19.05) DIAMETER BUNDLE. MAXIMUM RECOMMENDED STATIC LOAD: 15 lbs.
- PRODUCT INCORPORATES FEATURES ALLOWING USER TO RETAIN CABLE BUNDLES IN J-PRO J-HOOK WITH TAK-TY CABLE TIES UP TO 3/4" WIDE.
- PRODUCT MARKINGS:  
cULus logo and statement:  
"SUITABLE FOR USE IN AIR HANDLING SPACES IN ACCORDANCE WITH SECTION 300-22 (C) & (D) OF THE NATIONAL ELECTRIC CODE."  
ULC logo and statement:  
"IN ACCORDANCE WITH CAN/ULC S-102.2 IN SINGLE UNITS OR PAIRS, 4 ft (1220mm) MIN. SPACING, FSR=0, SDC=20."

DIMENSIONS IN BRACKETS ARE METRIC [ mm ]

CAD FILENAME/LAYERS G03043BM\_PB\_JP75WP\_00

**PANDUIT** CORP. TINLEY PARK, ILLINOIS

J-PRO J-HOOK WITH PLATE FOR  
POWDER ACTUATED FASTENERS  
(JP75WP-\_\_\_)

UNLESS OTHERWISE SPECIFIED,  
DIMENSIONAL TOLERANCES ARE:  
(.X) ±0.05 (1.3) (.XXX) ±0.010 (0.25)  
(.XX) ±0.02 (0.5) ANGLES ± 5°

UNLESS OTHERWISE SPECIFIED,  
ALL DIMENSIONS ARE GIVEN  
IN INCHES, THIRD ANGLE PROJECTION.

DRAWN BY JAD

MAT'L:

SCALE NONE

DATE 1/5/06

SEE NOTE 2

DRAWING NO.

GB3043BM

DWG  
A  
SIZE

|     |        |     |     |                 |          |   |      |     |  |
|-----|--------|-----|-----|-----------------|----------|---|------|-----|--|
| R   | 4/8/05 | JAD |     | INITIAL RELEASE | GB3043BM | R |      |     |  |
| REV | DATE   | BY  | CHK | DESCRIPTION     | ECN      | R | CUST | SUP |  |