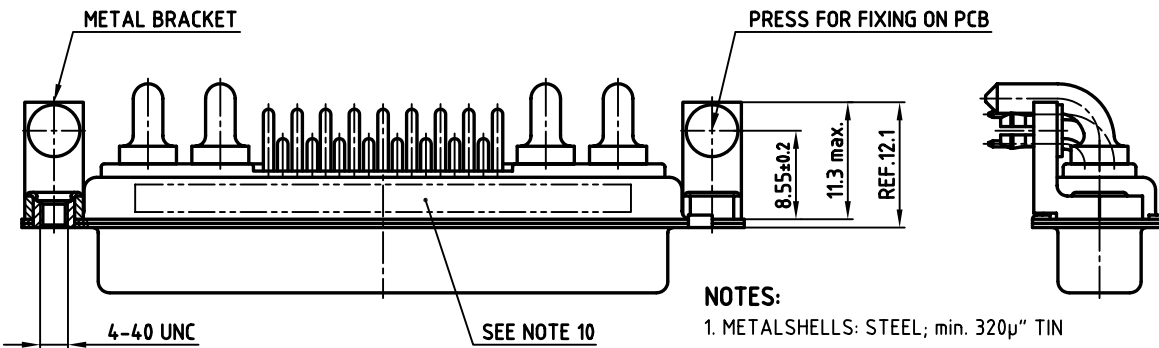
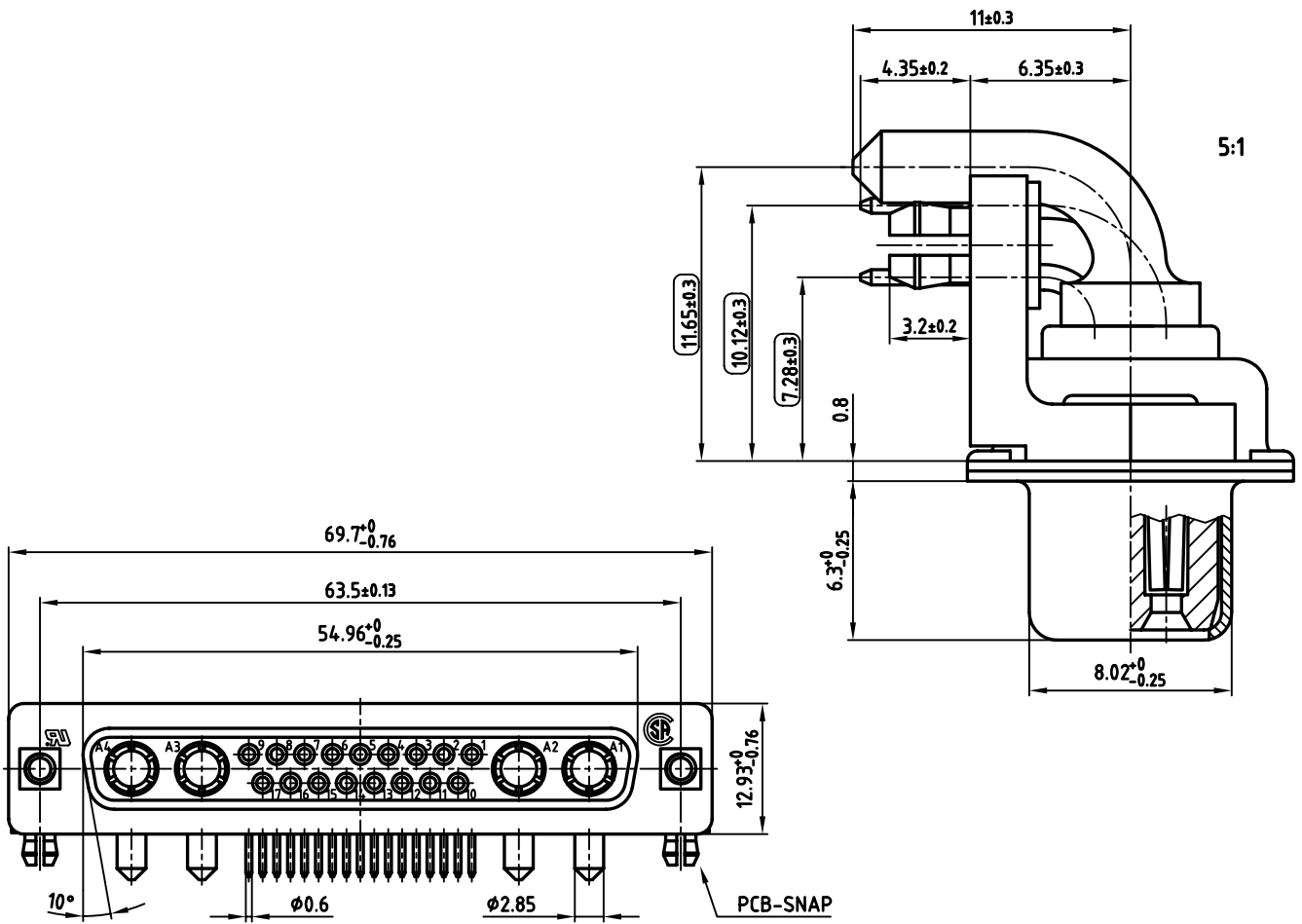


used for: D-SUB COMBINATION



**NOTES:**

1. METAL SHELLS: STEEL; min. 320 $\mu$ " TIN
2. INSULATORS: PBT GF UL 94 V-0, GREEN
3. SIGNAL CONTACTS: COPPER ALLOY  
PLATING: 30 $\mu$ " HARD GOLD OVER min. 50 $\mu$ " NICKEL
4. HIGH POWER CONTACTS 20A: COPPER ALLOY  
PLATING: 30 $\mu$ " HARD GOLD OVER min. 50 $\mu$ " NICKEL
5. METAL BRACKET: DIE-CASTING; min. 320 $\mu$ " TIN over 80 $\mu$ " NICKEL
6. THREADED INSERT: COPPER ALLOY; min. 200 $\mu$ " TIN over 80 $\mu$ " NICKEL
7. PCB-SNAP: COPPER ALLOY; min. 200 $\mu$ " TIN over 80 $\mu$ " NICKEL  
PCB-HOLE:  $\phi 3.1 \pm 0.1$ ; PCB THICKNESS 1.6mm
8. P.C.B. HOLE DRILLINGS ON SHEET 2
9. MAXIMUM TORQUE VALUE FOR THREAD: 6" LBS
10. CONNECTOR IS PART MARKED: 321WA4SCT56N40X CONEC ABC
11.    = CHECK DIMENSION

Directive 2002/95/EC  
RoHS  
Compliant

APPROVAL # FREIGABE # DEBLOCAGE # AUTORIZACION # APPROVAL	
CUSTOMER APPROVAL DATE:	
NAME:	TITLE:
COMPANY NAME:	
APPROVAL # FREIGABE # DEBLOCAGE # AUTORIZACION # APPROVAL	

THIS DRAWING MAY NOT BE COPIED OR REPRODUCED IN ANY WAY, AND MAY NOT BE PASSED ON TO A THIRD PARTY, WITHOUT WRITTEN PERMISSION. OWNERSHIP AND COPYRIGHT OF CONEC GmbH DO NOT ALTER CAD DRAWING BY HAND

rev.	description	date	name
a	Origin		

tolerance		dim. in mm
2006	date	
drawn	09.02.	name
appd.	09.02.	Mickenbecker
norm		
d-old		

scale:	2:1 (5:1)
material:	SEE NOTES
title:	<b>D-SUB COMBINATION FEMALE 90°</b> 21WA4S with threaded insert, metal bracket and clip
dwg no:	AutoCAD 2004 DIN-A 13K1A1718 3 sh:1/2
part no:	<b>321WA4SCT56N40X</b>



