

4

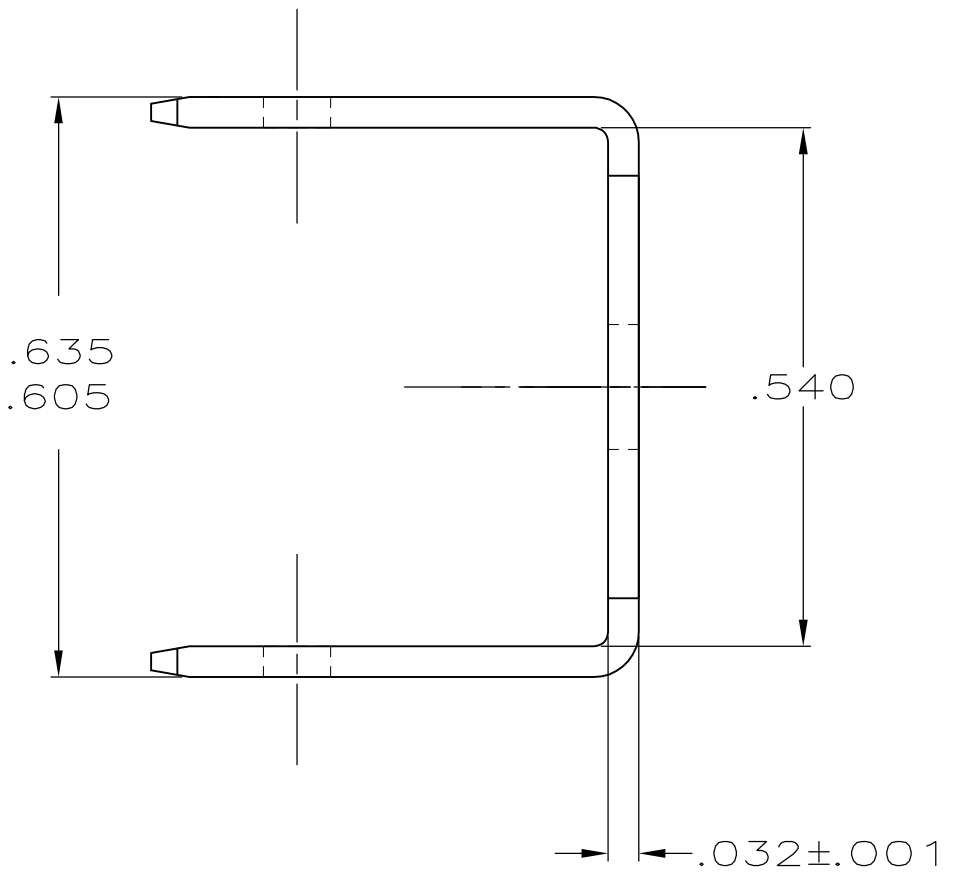
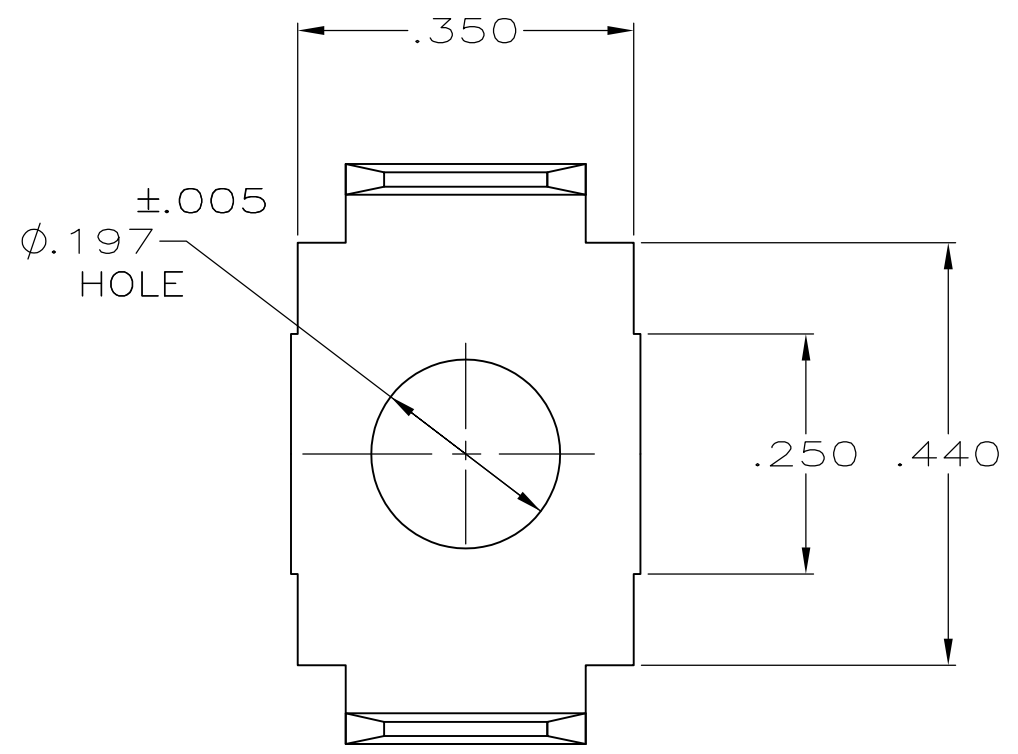
3

2

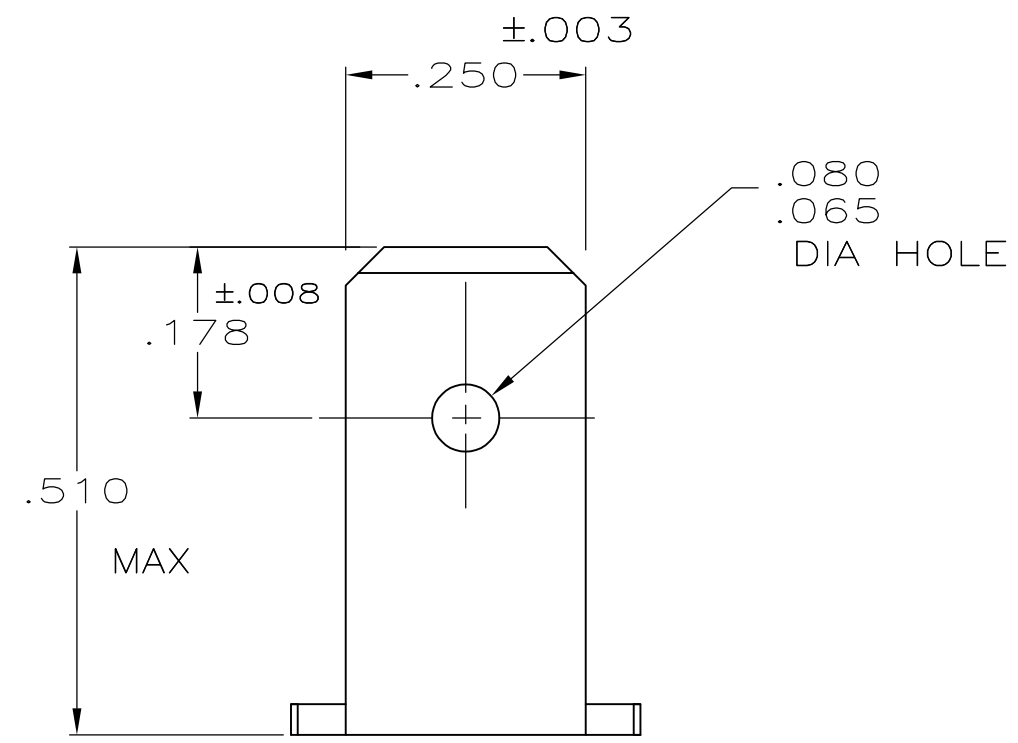
1

THIS DRAWING IS UNPUBLISHED. RELEASED FOR PUBLICATION
 © COPYRIGHT - By - ALL RIGHTS RESERVED.


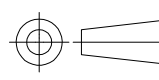
LOC	DIST	REVISIONS					
AF	50	P	LTR	DESCRIPTION	DATE	DWN	APVD
		E		REVISED PER ECR-13-011489	12DEC2013	KH	PD



1 SUPPLIED IN LOOSE PIECE.



1217831-1
PART NUMBER

THIS DRAWING IS A CONTROLLED DOCUMENT.		DWN	JR RUTH	29APR02	 TE Connectivity		
DIMENSIONS: INCHES		CHK	MS FEHER	29APR02			
		APVD	N DEIBERT	29APR02			
TOLERANCES UNLESS OTHERWISE SPECIFIED: 0 PLC $\pm -$ 1 PLC $\pm -$ 2 PLC $\pm -$ 3 PLC $\pm .010$ 4 PLC $\pm -$ ANGLES $\pm -$		NAME	TAB, FASTON, .250 SERIES				
MATERIAL	BRASS	FINISH	-	PRODUCT SPEC	-		
		APPLICATION SPEC	-		RESTRICTED TO	-	
		WEIGHT	-		SIZE	A3	
		CUSTOMER DRAWING		SCALE	5:1	SHEET	1 OF 1
				REVISION	E		
				DRAWING NO	G-1217831		
				CAGE CODE	00779		