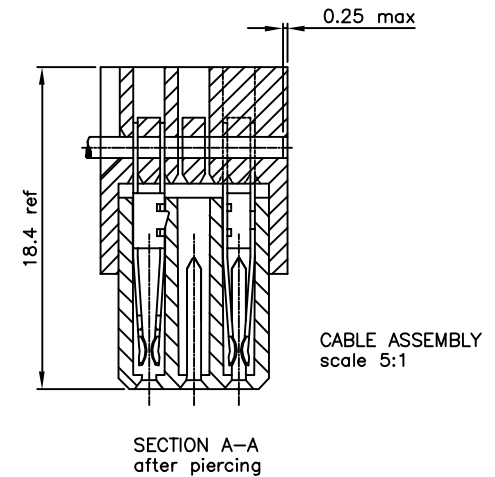
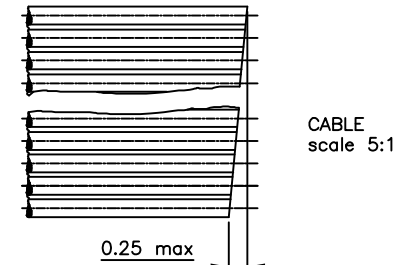
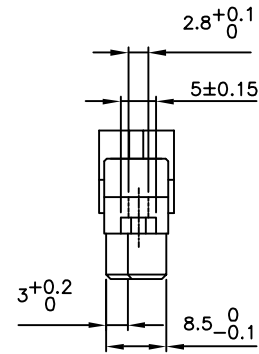
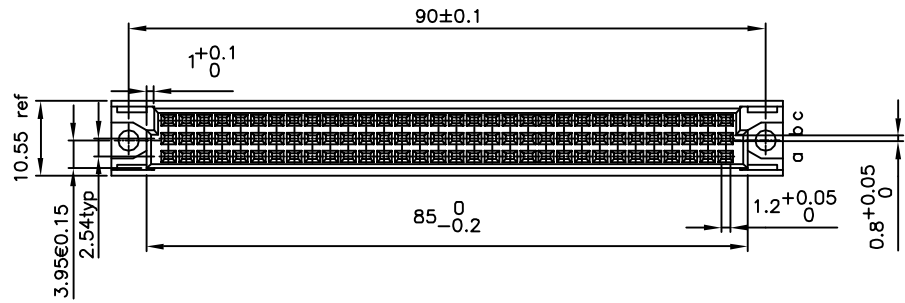
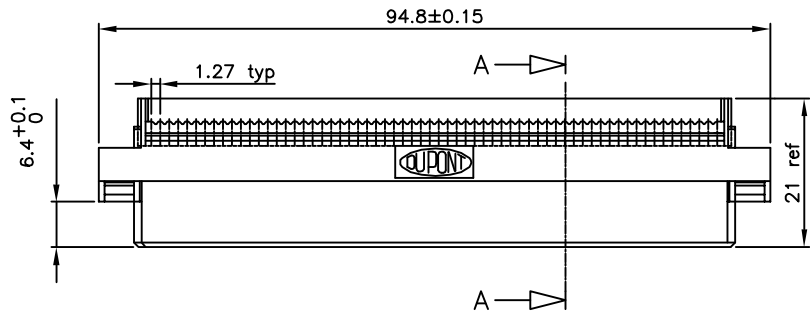


PRODUCT NUMBER	ROW	1	2	3	4	5	6	7	8	9	10	11	12	13	14	15	16	17	18	19	20	21	22	23	24	25	26	27	28	29	30	31	32		
75860-X01	a	X	X	X	X	X	X	X	X	X	X	X	X	X	X	X	X	X	X	X	X	X	X	X	X	X	X	X	X	X	X	X	X	X	X
	b	X	X	X	X	X	X	X	X	X	X	X	X	X	X	X	X	X	X	X	X	X	X	X	X	X	X	X	X	X	X	X	X	X	X
	c	X	X	X	X	X	X	X	X	X	X	X	X	X	X	X	X	X	X	X	X	X	X	X	X	X	X	X	X	X	X	X	X	X	X
75860-X02	a	X	X	X	X	X	X	X	X	X	X	X	X	X	X	X	X	X	X	X	X	X	X	X	X	X	X	X	X	X	X	X	X	X	
	b	X	X	X	X	X	X	X	X	X	X	X	X	X	X	X	X	X	X	X	X	X	X	X	X	X	X	X	X	X	X	X	X	X	
	c	X	X	X	X	X	X	X	X	X	X	X	X	X	X	X	X	X	X	X	X	X	X	X	X	X	X	X	X	X	X	X	X	X	X



NOTE:-
 1. THE "LF" PRODUCTS MEET EUROPEAN UNION DIRECTIVES AND OTHER COUNTRY REGULATIONS AS DESCRIBED IN GS-22-008.
 2. LEAD FREE OR ROHS DIRECTIVE LABELLING TO BE PROVIDED AS PER GS-14-920 FOR LEAD FREE VERSION.

- NOTES:
- MATERIAL HOUSING: THERMOPLASTIC POLYESTER 30% GLASS FILLED, FLAME RETARDANT PER UL-94-V0
COLOUR HOUSING: GREY, COLOUR COVER: BLACK
 - MATERIAL CONTACT: PHOSPHOR BRONZE
 - CAN BE MATED WITH 3 ROW MALE CONNECTOR CONFORM DIN 41612 - FORM C
 - "LF" SUFFIX TO THE PRODUCT NUMBER FOR LEAD FREE OR ROHS COMPATIBLE PRODUCTS.
 - PIERCE AREA PLATING SPEC: 0.1-0.2umNi

Part Number	Performance Class
75860-4YY	2.0um Aumin over 3um Ni in contact area
75860-0YY	3.0um Aumin over 3um Ni in contact area
75860-1YY	DIN 41612 CLASS 1
75860-2YY	DIN 41612 CLASS 2

mat'l. code	see table	surface	tolerance	projection	product family
ltr	lcn	no	dr	date	BACKPANEL
K	H20166	MVI	1992-03-31		title
L	105-0123	MNI	2008-07-27		QUICKIE Female
M	106-0082	MNI	2008-06-01		64 Pos. P.L. ASSEMBLY
N	108-0078	JOHN	2008-06-28		dwg no
					75860
					sheet 1 of 1
					A2
					type
					CUSTOMER Drawing
sheet	revision	N			
index	sheet	1			