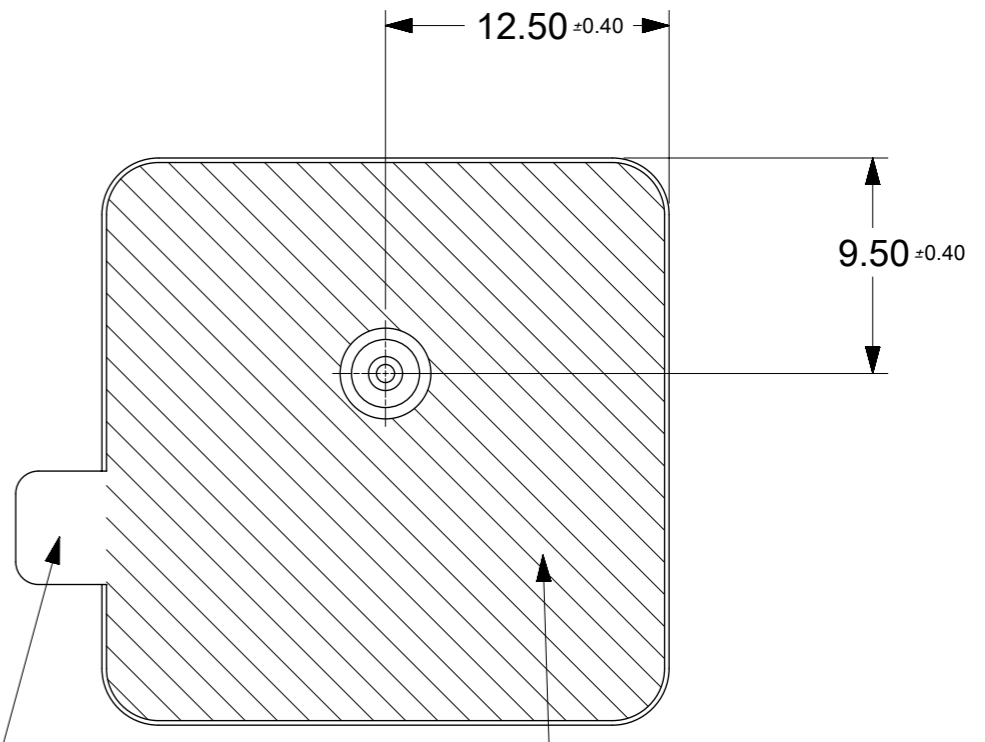
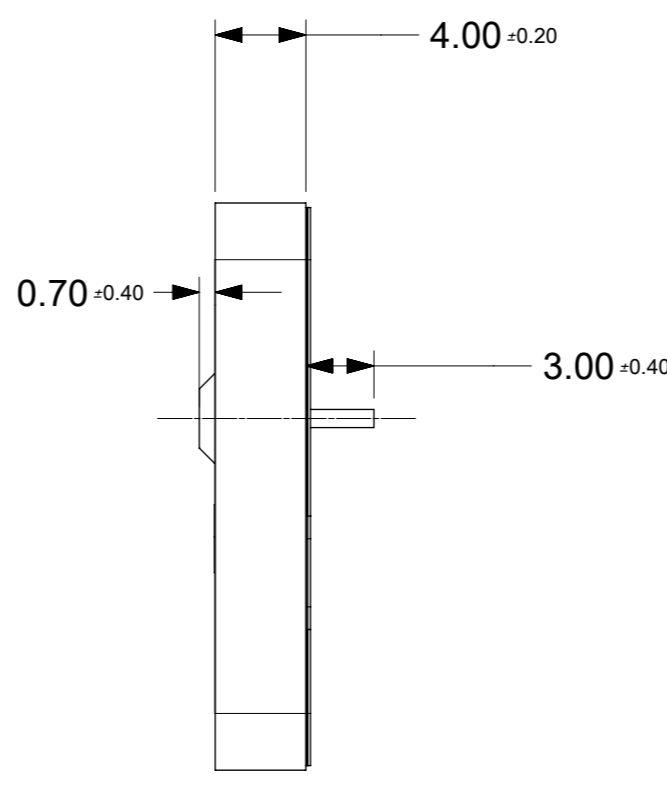
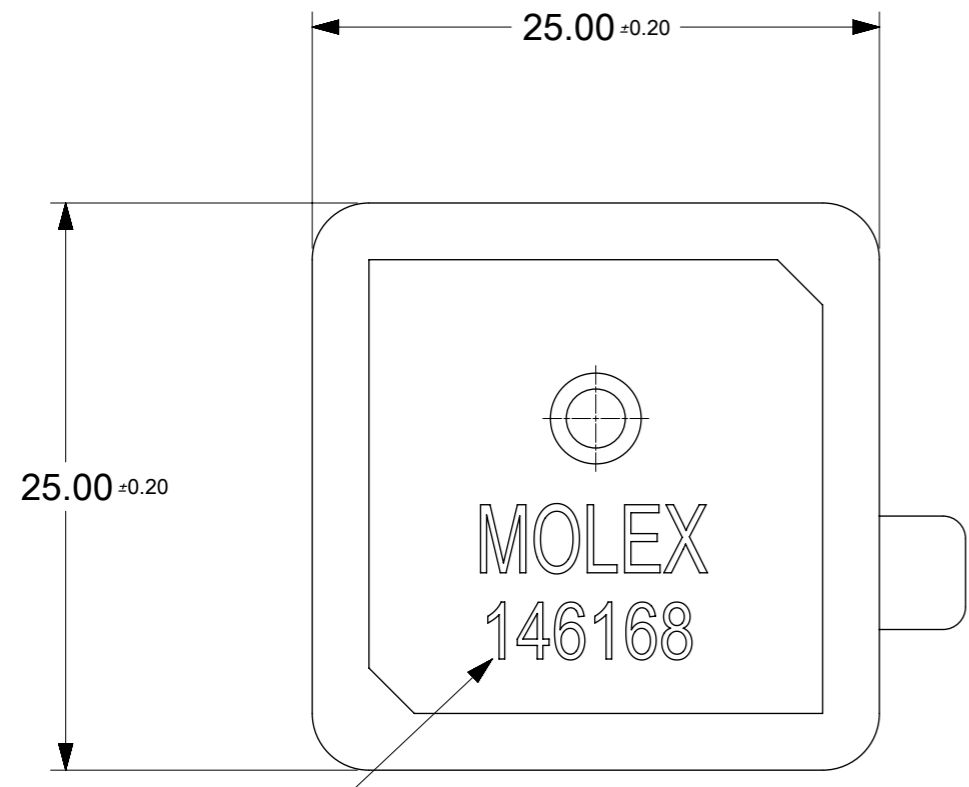


MOLEX					CUSTOMER		3D REV	CHANGE INFORMATION			
DRAWING NO.	REV	ECN NO.	DATA	P/N	P/N	2D REV		DRAWING LOCATION	CHANGE DESCRIPTION		AFFECTED DEPT
1461680001	1	107478	2016/08/14	1461680001	/	/	/	ALL	Proto 1 New Release		AQP/ME/RF/PE/POP



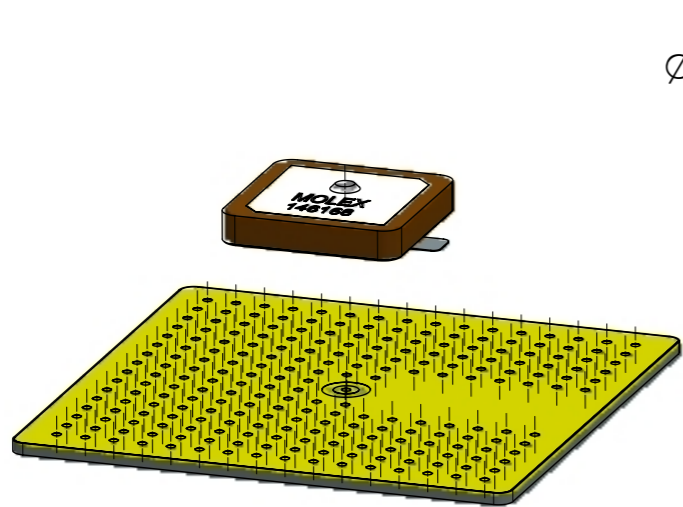
LINER(RELEASE PAPER)

ADHESIVE AREA

NOTES:
 1. MATERIAL: CERAMIC
 2. AG THICKNESS: 8-10UM
 3. GENERAL COSMETIC APPEARANCE AS DEFINED BY MOLEX COSMETIC SPECIFICATION

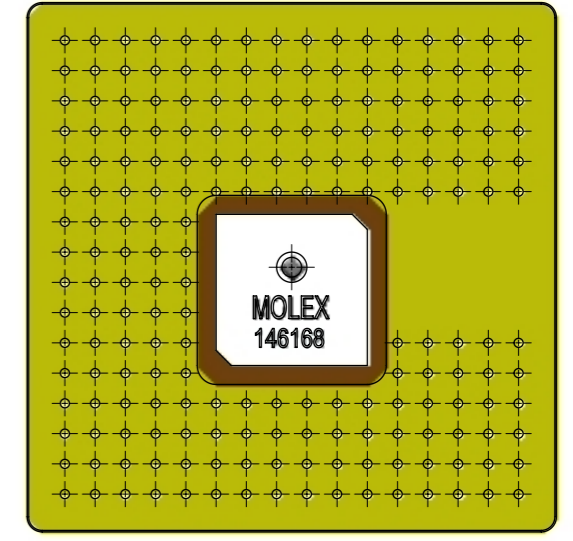
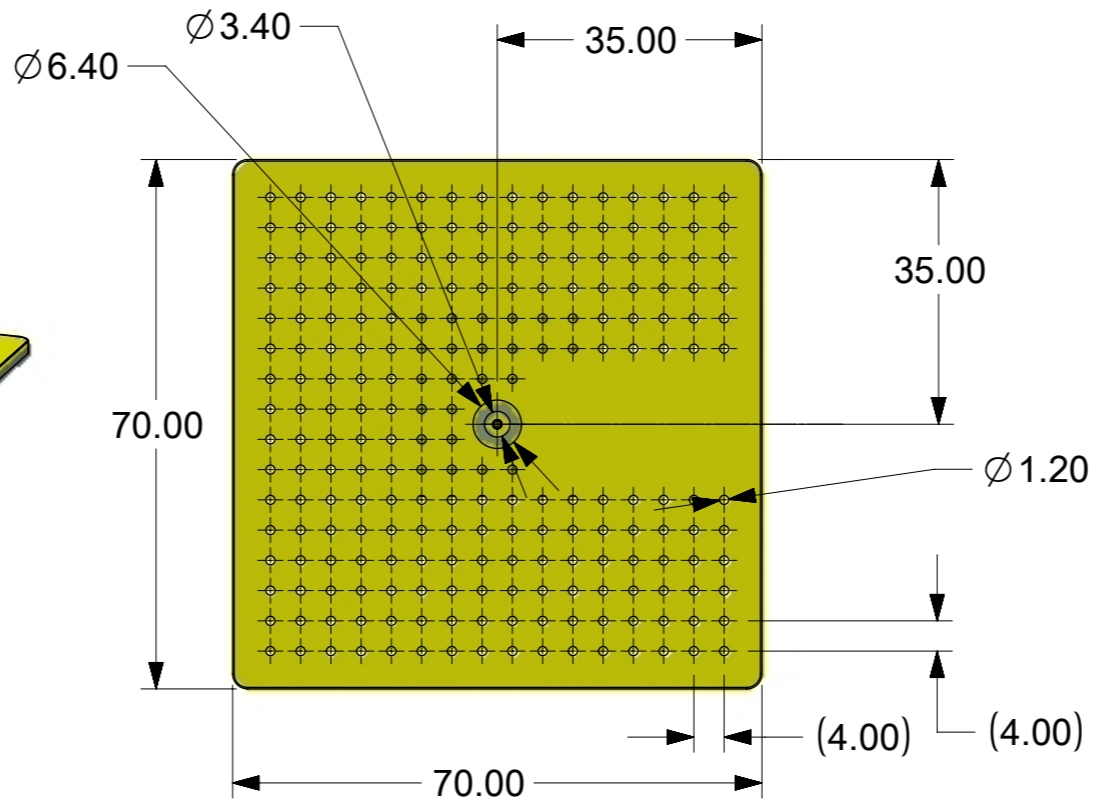
THIS DRAWING CONTAINS INFORMATION THAT IS PROPRIETARY TO MOLEX ELECTRONIC TECHNOLOGIES, LLC AND SHOULD NOT BE USED WITHOUT WRITTEN PERMISSION											
QUALITY SYMBOLS FA = 0 FE = 0 FP = 0 TV = 0 VC = 0 X = 0 B = 0 V = 0	EC NO: 107478 DRWN: TZHOU07 CHK'D: YXGAO04 APPR: CYU08	GENERAL TOLERANCES (UNLESS SPECIFIED)		DIMENSION UNITS	SCALE						
		ANGULAR TOL ± °		MM							
		4 PLACES ±		DRWN BY	DATE	RHCP CERAMIC GPS ANT					
		3 PLACES ±		TZHOU07	2016/08/13						
		2 PLACES ±		CHK'D BY	DATE	PRODUCT CUSTOMER DRAWING					
1 PLACE ±		YXGAO04	2016/11/06								
0 PLACES ±		APPR BY	DATE	SERIES: 146168 MATERIAL NUMBER: [blank] CUSTOMER: [blank]							
DRAFT WHERE APPLICABLE MUST REMAIN WITHIN DIMENSIONS		CYU08	2016/11/06								
		DRAWING SIZE	THIRD ANGLE PROJECTION	DOCUMENT NUMBER: 1461680001 DOC TYPE: PSD DOC PART: SD SHEET NUMBER: 1 OF 3							
		A3	<input checked="" type="checkbox"/>								

RELEASE STATUS	P1	RELEASE DATE	07.11.2016	09:34:32
----------------	----	--------------	------------	----------



*PCB SIZE 70X70X1.6MM

RELEASE THE LINER AND STICK THE ANTENNA PARALLEL ONTO PCB



SOLDERING THE CABLE WITH ANTENNA PIN ONTO PCB

THIS DRAWING CONTAINS INFORMATION THAT IS PROPRIETARY TO MOLEX ELECTRONIC TECHNOLOGIES, LLC AND SHOULD NOT BE USED WITHOUT WRITTEN PERMISSION											
QUALITY SYMBOLS 	EC NO: 107478 DRWN: TZHOU07 CHK'D: YXGAO04 APPR: CYU08	2016/08/13 2016/11/06 2016/11/06	GENERAL TOLERANCES (UNLESS SPECIFIED)		DIMENSION UNITS	SCALE					
			ANGULAR TOL ± °		MM						
			4 PLACES ±		DRWN BY	DATE					
			3 PLACES ±		TZHOU07	2016/08/13	RHCP CERAMIC GPS ANT				
			2 PLACES ±		CHK'D BY	DATE					
			1 PLACE ±		YXGAO04	2016/11/06					
			0 PLACES ±		APPR BY	DATE	PRODUCT CUSTOMER DRAWING				
			DRAFT WHERE APPLICABLE MUST REMAIN WITHIN DIMENSIONS		CYU08	2016/11/06					
					DRAWING SIZE	THIRD ANGLE PROJECTION					
					A3		SERIES	MATERIAL NUMBER	CUSTOMER		
				146168							
				DOCUMENT NUMBER		DOC TYPE	DOC PART	SHEET NUMBER			
				1461680001		PSD	SD	2 OF 3			