

THIS DRAWING IS UNPUBLISHED.

RELEASED FOR PUBLICATION

1997

© COPYRIGHT 1997 BY -

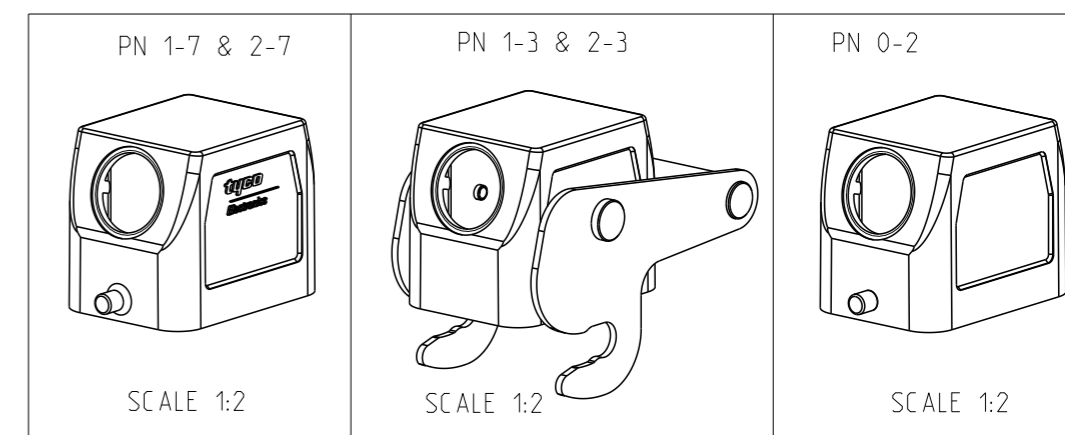
ALL RIGHTS RESERVED.

REVISIONS

P	LTR	DESCRIPTION	DATE	DWN	APVD
A6		Released as per ECR-08-005944	06.Mar.2008	SP	TS
A7		ECR-16-015318	16AUG2017	GR	MKO

Notes

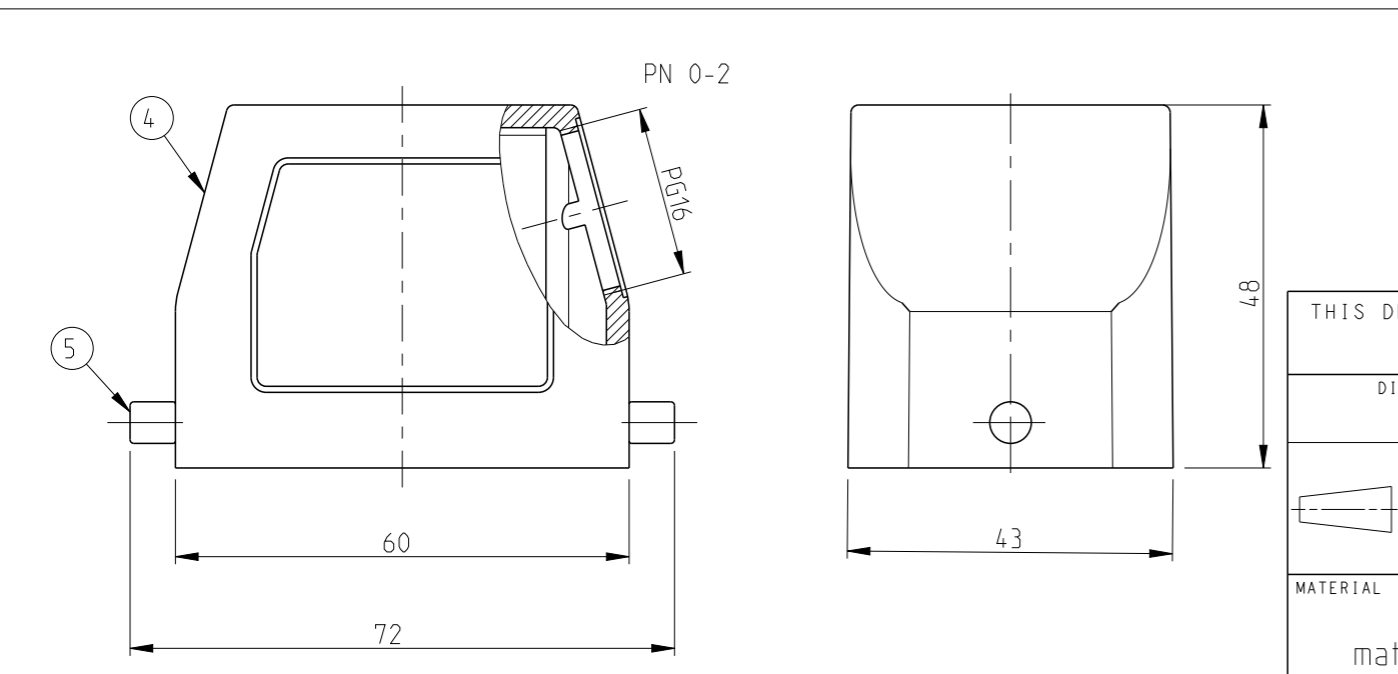
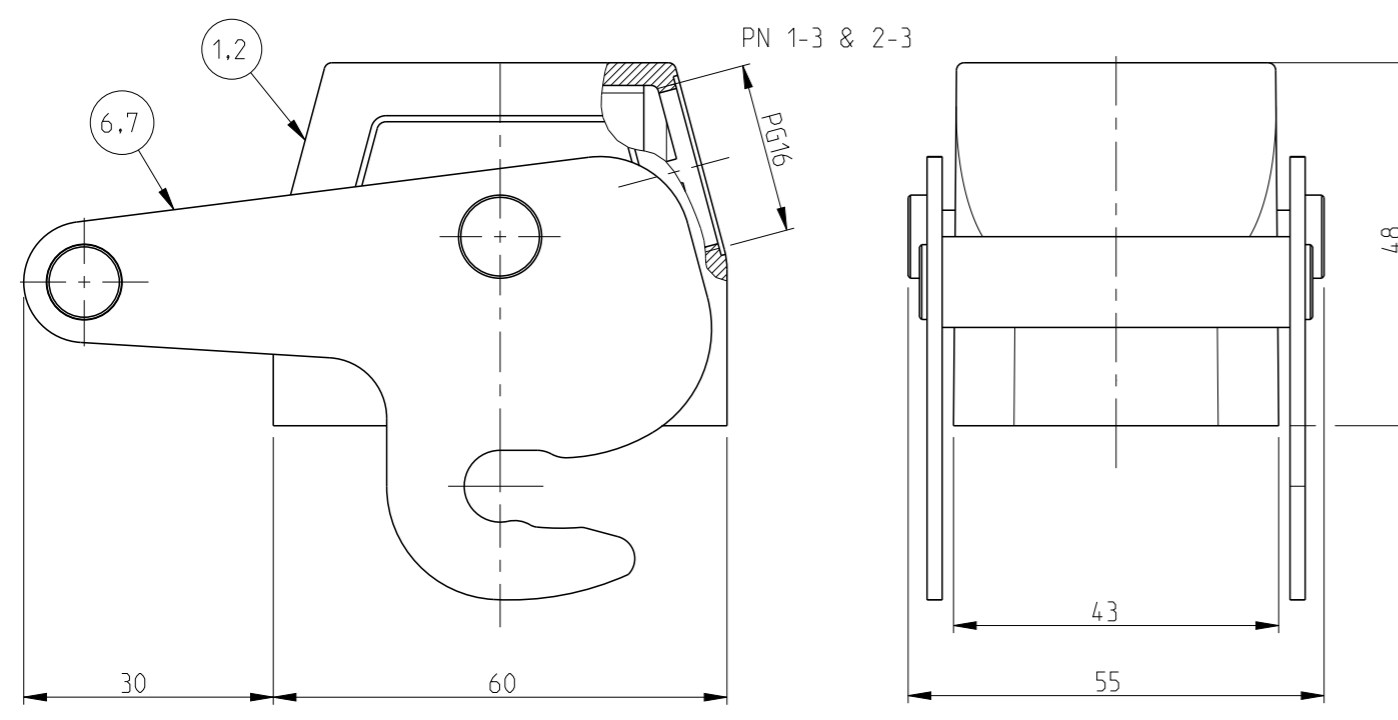
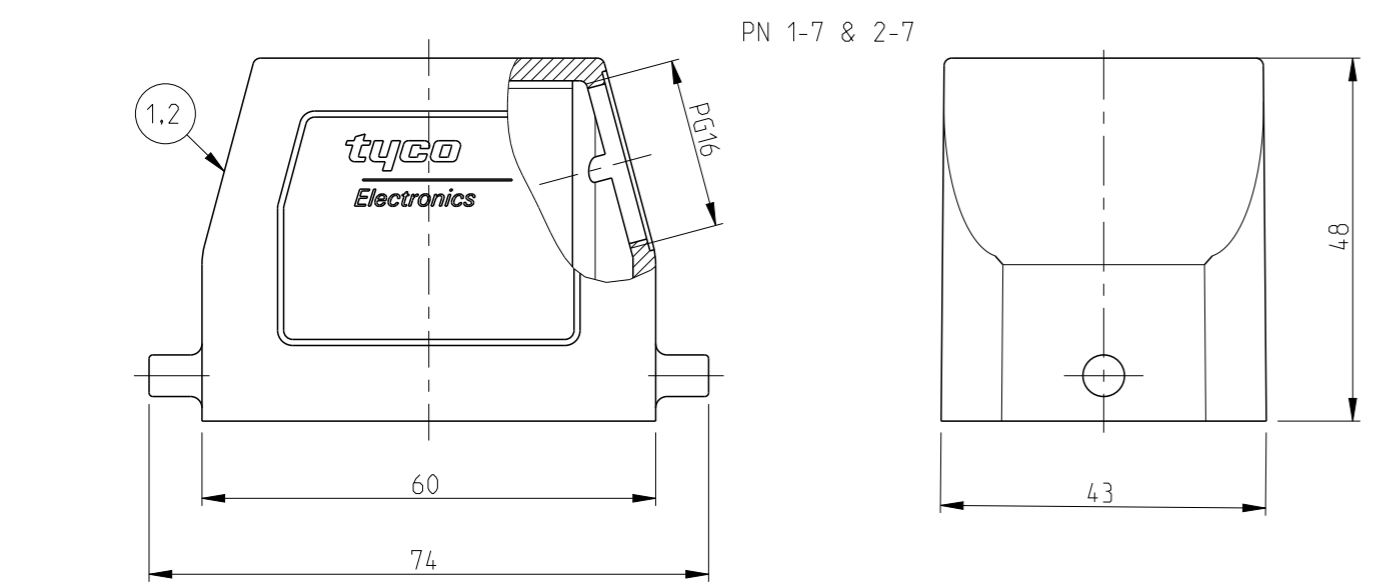
- 1 Material: Housing: Aluminium diecasting alloy
- 2 Surface:- Varnish-grey/White
-Aluminium oxide+Varnish black
- 3 Varnish on the inside not necessary
- 4 Packaging
Packaging quantity: 5 pieces in a box



QTY	DESCRIPTION	MATERIAL	SURFACE	COLOR	ITEM NO	NOTES
1	Central clip-ZB	Stainless steel	Blank	-	7	
1	Central clip-ZB	Steel	Zinc plated	Blue	6	
2	LB-Clip bolt	Stainless steel	Blank	-	5	
1	Hood HB	Aluminium	-	White	4	Without bolt
1	Hood HB	Aluminium	-	Grey	3	Also 2xM3 for identification plate
1	Hood HB-K	Aluminium	Aluminium oxide	Black	2	
1	Hood HB	Aluminium	-	Grey	1	

ORDERING TEXT

- HB.6.STS.1.16.G
- HB-K.6.STS.1.16.G
- HB-Z.6.STS-ZB.1.16.G
- HB-K/Z.6.STS-ZB.1.16.G
- HB.6.STS.1.16.G.S0
- HB.6.STS.1.16.G



THIS DRAWING IS A CONTROLLED DOCUMENT.

DWN Schneider 25.05.1999
CHK Schweiger 25.05.1999
APVD

PRODUCT SPEC 108-74001/74003
APPLICATION SPEC 114-74001/74004/74005

NAME Hood HB.6.STS.1.16.G

SIZE A3 CAGE CODE 00779 DRAWING NO C=1102240 RESTRICTED TO -

MATERIAL material_2 FINISH finish_spec_2 WEIGHT CUSTOMER DRAWING SCALE 1:1 SHEET 1 OF 1 REV A7