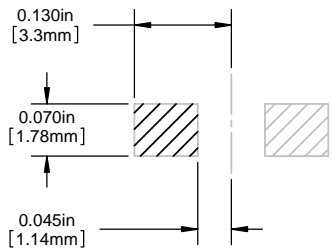
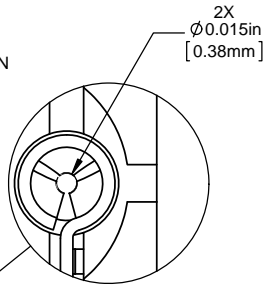


- NOTES:
1. ROHS COMPLIANT
 2. MATERIAL: HOUSING - NYLON 6/6, U.L. 94-V0 RATING, BLACK (UNLESS OTHERWISE SPECIFIED)
CONTACTS - PHOSPHOR BRONZE, TIN PLATED
 3. MOUNTING: SOCKET MOUNTS ON .250" [6.35mm] CENTERS. INSERT COMPONENT LEADS THRU THE MOUNTING PAD END OF SOCKET
 4. OPTO: STANDARD VISIBLE, IR LED, OR PHOTO DETECTOR WITH LEADS ON .100" [2.5mm] CENTERS
 5. LED LEAD DIMENSIONS: MINIMUM .017" [.43mm] ROUND OR SQUARE SHAPE. MAXIMUM .030" [.76mm] THICKNESS - .040" [1.02mm] WIDTH
 6. U.S. & FOREIGN PATENTS ISSUED

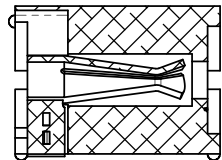
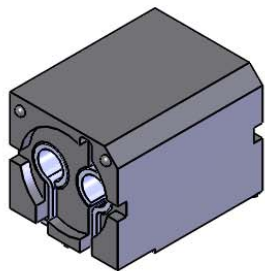
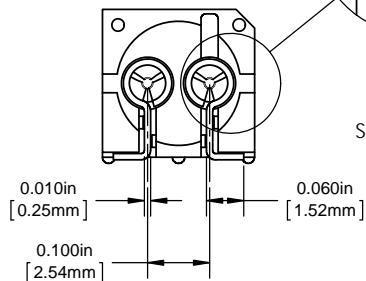
REVISIONS					
ECN #	REV.	DESCRIPTION	DATE	INITIALS	CHK'D
	001	REVISED PER ECR 111009AZ01	6/20/10	SMU	DZ
426	002	REVISED PER ECR 041212KH02	4/13/12	KH	ED



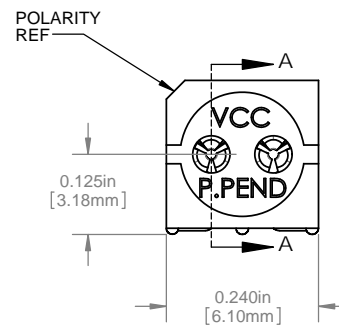
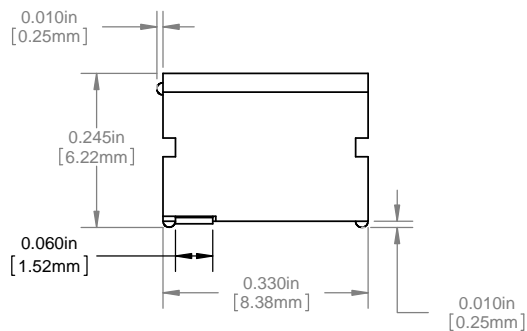
SMD PAD PATTERN



DETAIL B
SCALE 10 : 1



SECTION A-A



ORDERING CODE : SMD 330

<small>DIMENSION STYLE: INCHES (MM) GENERAL TOLERANCES UNLESS OTHERWISE SPECIFIED</small>		APPROVAL		DATE
<small>INCHES</small>	<small>MM</small>	DRAWN	SMU	6/20/10
X ± .020	± .508	CHECKED	DZ	6/20/10
XX ± .010	± .254			
XXX ± .005	± .127			
<small>ANGLE ± 1° BREAK ALL CORNERS AND SHARP EDGES 60° MAX</small>				
		MATERIAL		
<small>THIRD ANGLE PROJECTION</small>		SEE NOTES		
<small>PROPRIETARY AND CONFIDENTIAL</small>		FINISH		
<small>THE INFORMATION CONTAINED IN THIS DRAWING IS THE SOLE PROPERTY OF VISUAL COMMUNICATIONS COMPANY, INC. ANY REPRODUCTION IN PART OR AS A WHOLE WITHOUT THE WRITTEN PERMISSION OF VISUAL COMMUNICATIONS COMPANY, INC IS PROHIBITED.</small>		SEE NOTES		
DO NOT SCALE DRAWING				

VCC
12780 DANIELSON CT, SUITE A, POWAY, CA 92064 U.S.A
PHONE: (800) 522-5546 EMAIL: vccsales@vcc-lite.com

TITLE:
P-C-LITE® HORIZONTAL MOUNT

SIZE DWG. NO. REV
B SMD 330 002

SCALE: 5:1 SHEET 1 OF 1