

H G F E D C B A

4

3

2

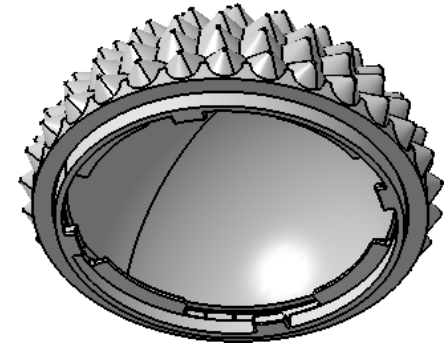
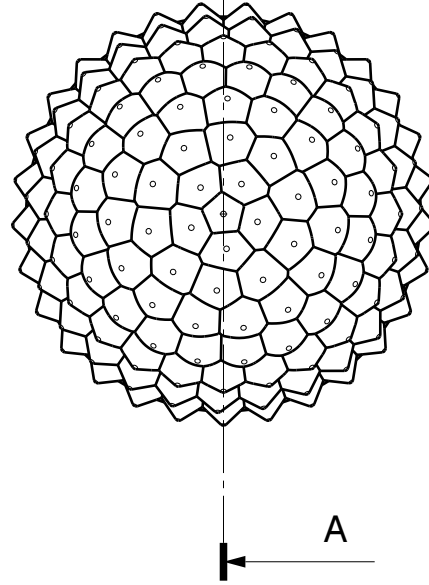
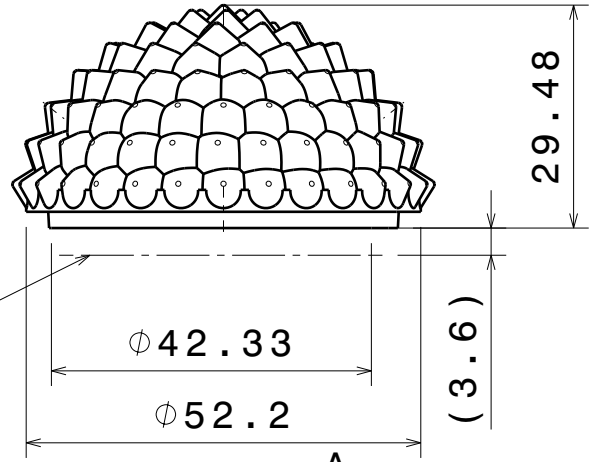
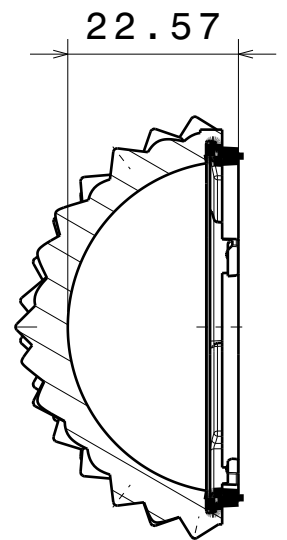
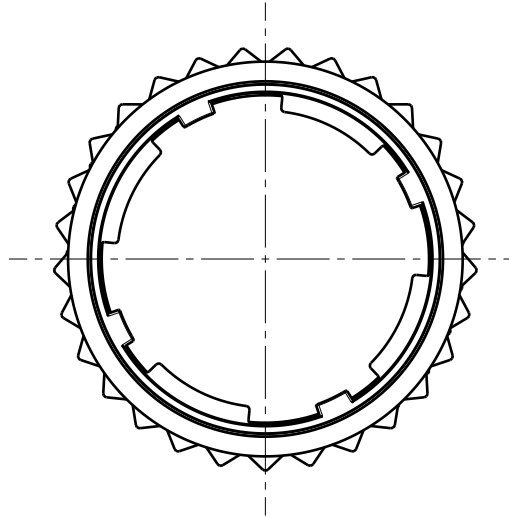
1

4



3

2

1



INDEX	PART NO	DESCRIPTION	MATERIAL	COLOUR
1	F15526	ZORYA-SC-ADAPTER-HEKLA	PC	Clear
2	ZORYA-SC-50		Silicon	Clear

Tolerances if not otherwise shown According to DIN ISO 2768-1 Linear measures: Up to 30mm class M, otherwise class C. According to DIN ISO 2768-2 Form and position: class L		 Ledil Oy Salorankatu 10 FIN 24240 SALO Finland
THIRD ANGLE PROJECTION: 		
This drawing is the property of LEDiL Oy. It may not be reproduced, copied or communicated without a written agreement with LEDiL Oy.		DRAWING TITLE FP15072_ZORYA-SC-40
SIZE A3	PART NUMBER FP15072	
SCALE 1:1	WEIGHT 26,5 g	SHEET 1/1

H G B A