

DS21458DK Quad T1/E1/J1 Transceiver Design Kit Daughter Card

www.maxim-ic.com

GENERAL DESCRIPTION

The DS21458DK is an easy-to-use evaluation board for the DS21458 quad T1/E1/J1 transceiver. The DS21458DK is intended to be used as a daughter card with the DK101 motherboard or the DK2000 motherboard. The DS21458DK comes complete with a DS21458 quad SCT, transformers, termination resistors, configuration switches, line-protection circuitry, network connectors, and motherboard connectors. The DK101/DK2000 motherboard and Dallas' ChipView software give point-and-click access to configuration and status registers from a Windows®-based PC. On-board LEDs indicate receive loss-of-signal and interrupt status. An on-board FPGA contains mux logic to connect framer ports to one another or to the DK2000 in a variety of configurations.

Each DS21458DK is shipped with a free DK101 motherboard. For complex applications, the DK2000 high-performance demo kit motherboard can be purchased separately.

Windows is a registered trademark of Microsoft Corp.

DESIGN KIT CONTENTS

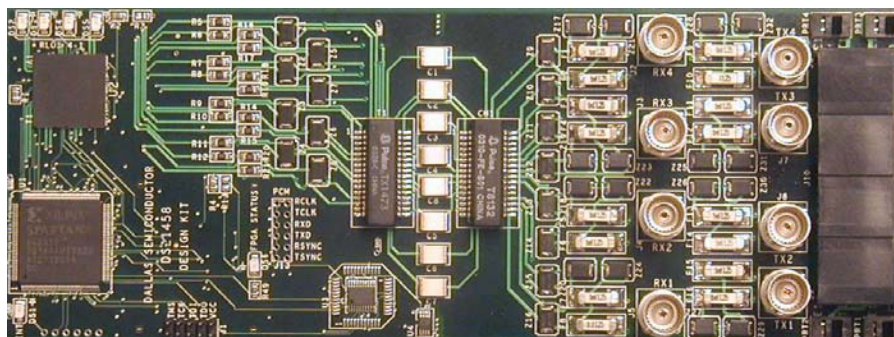
DS21458DK Design Kit Daughter Card
 DK101 Low-Cost Motherboard
 CD ROM
 ChipView Software
 DS21458DK Data Sheet
 DK101 Data Sheet
 DS21458 Data Sheet

FEATURES

- Demonstrates Key Functions of DS21458 Quad T1/E1/J1 Transceiver
- Includes DS21458 Quad LIU, Transformers, BNC and RJ45 Network Connectors, and Termination Passives
- Compatible with DK101 and DK2000 Demo Kit Motherboards
- DK101/DK2000 and ChipView Software Provide Point-and-Click Access to the DS21458 Register Set
- All Equipment-Side Framer Pins are Easily Accessible for External Data Source/Sink
- Memory-Mapped FPGA Provides Flexible Clock/Data/Sync Connections Among Framer Ports and DK2000 Motherboard
- LEDs for Loss-of-Signal and Interrupt Status
- Easy-to-Read Silk Screen Labels Identify the Signals Associated with all Connectors, Jumpers, and LEDs
- Network Interface Protection for Overvoltage and Overcurrent Events

ORDERING INFORMATION

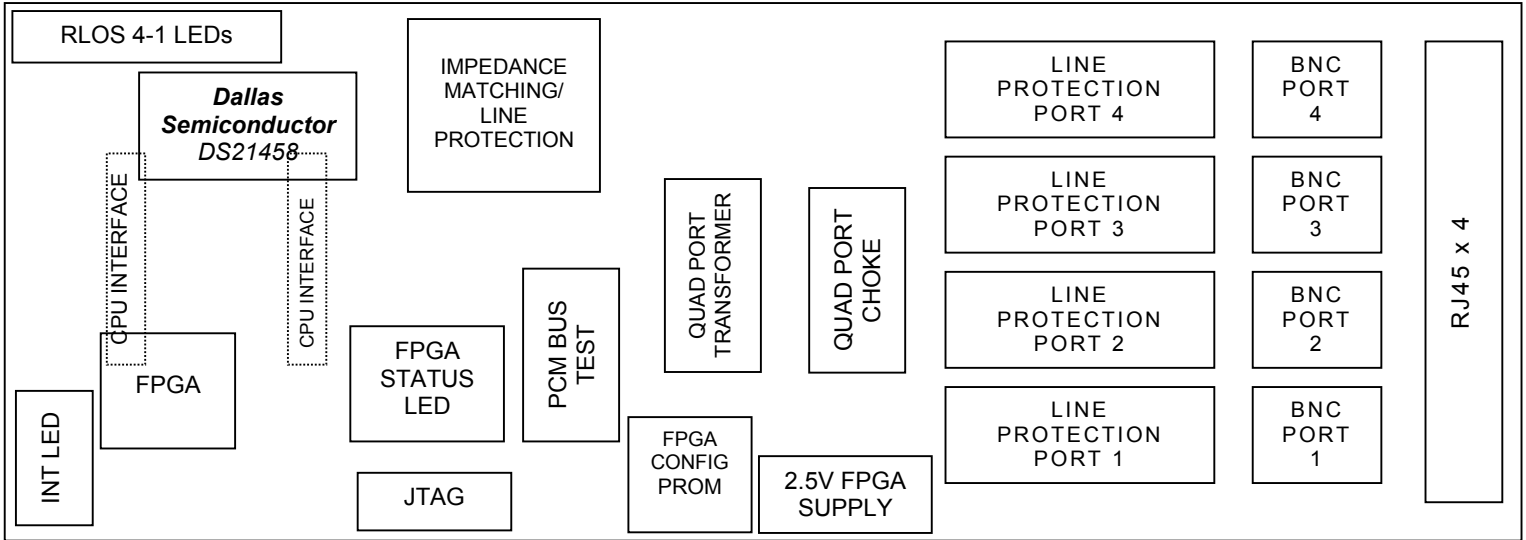
PART	DESCRIPTION
DS21458DK	DS21458 Design Kit Daughter Card (with included DK101 Motherboard)



COMPONENT LIST

DESIGNATION	QTY	DESCRIPTION	SUPPLIER	PART
C1–C8	8	0.22 μ F, 50V ceramic capacitors	Panasonic	PCF1152CT-ND
C9, C10, C12, C18, C22–C33, C35, C38–C43	23	0.1 μ F 10%, 16V ceramic capacitors (0603)	Phycomp	06032R104K7B20D
C11, C13–C15	4	0.1 μ F 10%, 25V ceramic capacitors (1206)	Panasonic	ECJ-3VB1E104K
C16, C17, C19– C21, C34, C36, C45, C46	9	1 μ F 10%, 16V ceramic capacitors (1206)	Panasonic	ECJ-3YB1C105K
C37, C44	2	10 μ F 20%, 10V ceramic capacitors (1206)	Panasonic	ECJ-3YB1A106M
CH1	1	Quad-port choke	Pulse Engineering	T8132
DS1	1	LED, red, SMD	Panasonic	LN1251C
DS2–DS6	5	LED, green, SMD	Panasonic	LN1351C
F1–F16	16	1.25A, 250V fuses, SMT	Teccor	F1250T
J1	1	10-pin connectors, dual row, vertical	Digi-Key	S2012-05-ND
J2–J9	8	5-pin BNC connectors, vertical	Cambridge	CP-BNCPC-004
J10	1	8-pin, 4-port jack Right-angle RJ45	Molex	43223-8140
J11, J12	2	50-pin sockets, SMD, dual row, vertical	Samtec	TFM-125-02-S-D-LC
J13	1	12-pin connector, dual row, vertical Not populated	Digi-Key	S2012-06-ND
J14	1	1Mbit flash-based configuration memory	Xilinx	XCF01SV020C
PRT1–PRT4	4	6-pin through-hole slide switches DPDT	Tyco	SSA22
R1, R2, R4, R26, R39, R41, R45	7	10k Ω 5%, 1/10W resistors (0805)	Panasonic	ERJ-6GEYJ103V
R3, R27	2	1.0k Ω 5%, 1/10W resistors (0805)	Panasonic	ERJ-6GEYJ102V
R5–R12, R14– R21, R48	17	0 Ω 5%, 1/8W resistors (1206)	Panasonic	ERJ-8GEYJ0R00V
R13, R47	2	Not populated	Panasonic	Not populated
R22–R25	4	51.1 Ω 5%, 1/10W resistors (0805)	Panasonic	ERJ-6GEY51R1V
R29–R36	8	61.9 Ω 1%, 1/8W resistors (1206)	Panasonic	ERJ-8ENF61R9V
R40, R42–R44, R46, R49	6	330 Ω 5%, 1/10W MF resistors (0805)	Panasonic	ERA-6GEY331V
T1	1	SMT 32-pin octal T1/E1 transformer, transmit/receive, 1:2	Pulse Engineering	TX1473
U1	1	2.5V FPGA Spartan (Xilinx) 144-pin TQFP	Xilinx	XC2S50-5TQ144C
U2	1	3.3V T1/E1/J1 quad transceiver 0°C to +70°C, 256-pin BGA	Dallas Semiconductor	DS21458
U3	1	1M PROM for FPGA 44-pin TQFP	Xilinx	Not populated
U4	1	8-pin μ MAX, SO 2.5V or Adj	Maxim	MAX1792EUA25
Z1–Z8	8	50A, 6V Sidactor DO214 SMD	Teccor	P0080SAMC
Z9–Z16	8	500A, 25V Sidactor DO214 SMD	Teccor	P0300SCMC
Z17–Z32	16	500A, 170V Sidactor DO214 SMD	Teccor	P1800SCMC

BOARD FLOORPLAN



BASIC CONFIGURATION

This design kit relies upon several supporting files, which are available for downloading on our website at www.maxim-ic.com/telecom. See the DS21458DK QuickView data sheet for these files.

Hardware Configuration

Using the DK101 Processor Board:

- Connect the daughter card to the DK101 processor board.
- Supply 3.3V to the banana-plug receptacles marked GND and VCC_3.3V. (The external 5V connector is unused. Additionally, the TIM 5V supply headers are unused.)
- All processor board DIP switch settings should be in the ON position with exception of the flash programming switch, which should be OFF.
- From the Programs menu, launch the host application named ChipView.EXE. Run the ChipView application. If the default installation options were used, click the Start button on the Windows toolbar and select Programs → ChipView → ChipView.

Using the DK2000 Processor Board:

- Connect the daughter card to the DK2000 processor board.
- Connect J1 to the power supply that is delivered with the kit. Alternately, a PC power supply may be connected to connector J2.
- From the Programs menu, launch the host application named ChipView.EXE. Run the ChipView application. If the default installation options were used, click the Start button on the Windows toolbar and select Programs → ChipView → ChipView.

General

- Upon power-up, the RLOS LEDs (green) will not be lit, the INT LED (red) will not be lit, but the FPGA Status LED (green) will be lit.
- When operating in E1 mode, slide SW1–SW4 to E1 Mode (grounding the BNC shell). When operating in T1 mode, slide SW1–SW4 to T1 Mode.

Miscellaneous

- Clock frequencies and certain pin bias levels are provided by a register-mapped FPGA that is on the DS21458 daughter card.
- The definition file for this FPGA is named DS21458DC_FPGA.def. See [Table 2](#) for the FPGA Register Map definitions. A drop-down menu on the top of the screen allows for switching between definition files.
- All files referenced above are available for download as described in the *Basic Configuration* section.

Quick Setup (Demo Mode)

- The PC will load ChipView offering a choice among DEMO MODE, REGISTER VIEW, and TERMINAL MODE. Select Demo Mode.
- The program will request a configuration file. Select among the displayed files, which are DS2155_E1_DSNCOM_DRVR.cfg or DS2155_T1_DSNCOM_DRVR.cfg.
- The Demo Mode screen will appear. Upon external loopback the RLOS indicators will turn green.
- Note: Demo Mode interacts with the device driver, which resides in the DK101/DK2000 firmware. The current implementation of this driver is for one device. As such, the demo mode will only interact with Port 1. With minor changes, the device driver is extendible to N devices.

Quick Setup (Register View)

- The PC will load ChipView offering a choice among DEMO MODE, REGISTER VIEW, and TERMINAL MODE. Select Register View.
- The program will request a definition file. Select DS21458DC_FPGA.def through the Links section. This will also load DS21458DC.def.
- The Register View Screen will appear, showing the register names, acronyms, and values for the DS21458.
- Predefined Register settings for several functions are available as initialization files.
 - INI files are loaded by selecting the menu File→Reg Ini File→Load Ini File.
 - Load the INI file DS21458_T1_BERT_ESF.ini.
 - After loading the INI file, the following may be observed:
 - o The RLOS LEDs turns green upon external loopback.
 - o All four ports of the DS21458 begin transmitting a Daly pattern. When external loopback is applied, the BERT bit count registers BBC1 to BBC3 and BEC1 to BEC3 may be updated by clearing and setting BC1.LC and clicking the 'Read All' button.

ADDRESS MAP

DK101 daughter card address space begins at 0x81000000

DK2000 daughter card address space begins at:

0x30000000 for slot 0

0x40000000 for slot 1

0x50000000 for slot 2

0x60000000 for slot 3

All offsets given below are relative to the beginning of the daughter card address space (shown above).

Table 1. Daughter Card Address Map

OFFSET	DEVICE	DESCRIPTION
0X0000 to 0X0015	FPGA	Board identification and clock/signal routing
0X1000 to 0X10ff	T1/E1/J1 Transceiver #1	DS21458 T1/E1/J1 transceiver, port 1
0X1100 to 0X11ff	T1/E1/J1 Transceiver #2	DS21458 T1/E1/J1 transceiver, port 2
0X1200 to 0X12ff	T1/E1/J1 Transceiver #3	DS21458 T1/E1/J1 transceiver, port 3
0X1300 to 0X13ff	T1/E1/J1 Transceiver #4	DS21458 T1/E1/J1 transceiver, port 4

Registers in the FPGA can be easily modified using the ChipView host-based user-interface software along with the definition file named "DS21458DC_FPGA.def."

FPGA REGISTER MAP

Table 2. FPGA Register Map

OFFSET	NAME	TYPE	DESCRIPTION
0X0000	BID	Read Only	BOARD ID
0X0002	XBIDH	Read Only	HIGH NIBBLE EXTENDED BOARD ID
0X0003	XBIDM	Read Only	MIDDLE NIBBLE EXTENDED BOARD ID
0X0004	XBIDL	Read Only	LOW NIBBLE EXTENDED BOARD ID
0X0005	BREV	Read Only	BOARD FAB REVISION
0X0006	AREV	Read Only	BOARD ASSEMBLY REVISION
0X0007	PREV	Read Only	PLD REVISION
0X0011	MCSR	Control	DS21458 MCLK Pin Source
0X0012	TCSR	Control	DS21458 TCLK Pin Source
0X0013	SYSCLKT	Control	DS21458 TSYCLK Pin Setting
0X0014	SYSCLKR	Control	DS21458 RSYCLK Pin Setting
0X0015	SYNC1	Control	DS21458 TSYNC Source
0X0016	SYNC2	Control	DS21458 TSSYNC Source
0X0017	SYNC3	Control	DS21458 RSYNC Source
0X0018	TSERS	Control	TSER Source
0X0019	PRSER	Control	PCM RSER Source
0X001A	PSYNC	Control	PCM RSYNC/TSYNC Source
0X001B	PCLK	Control	PCM RCLK/TCLK Source

ID REGISTERS

BID: BOARD ID (Offset = 0X0000)

BID is read only with a value of 0xD.

XBIDH: HIGH NIBBLE EXTENDED BOARD ID (Offset = 0X0002)

XBIDH is read only with a value of 0x0.

XBIDM: MIDDLE NIBBLE EXTENDED BOARD ID (Offset = 0X0003)

XBIDM is read only with a value of 0x1.

XBIDL: LOW NIBBLE EXTENDED BOARD ID (Offset = 0X0004)

XBIDL is read only with a value of 0x6.

BREV: BOARD FAB REVISION (Offset = 0X0005)

BREV is read only and displays the current fab revision.

AREV: BOARD ASSEMBLY REVISION (Offset = 0X0006)

AREV is read only and displays the current assembly revision.

PREV: PLD REVISION (Offset = 0X0007)

PREV is read only and displays the current PLD firmware revision.

CONTROL REGISTERS

Register Name: **MCSR**

Register Description: **DS21458 MCLK Pin Source**

Register Offset: **0x0011**

Bit #	7	6	5	4	3	2	1	0
Name	—	—	—	—	—	—	MSRCB	MSRCA
Default	—	—	—	—	—	—	1	1

Bit 0: DS21458 Port 1 and 3 MCLK Source (MSRCA)

0 = Connect MCLK 1 (controls port 1 and 3) to the 1.544MHz clock

1 = Connect MCLK 1 (controls port 1 and 3) to the 2.048MHz clock

Bit 1: DS21458 Port 2 and 4 MCLK Source (MSRCA)

0 = Connect MCLK 2 (controls port 2 and 4) to the 1.544MHz clock

1 = Connect MCLK 2 (controls port 2 and 4) to the 2.048MHz clock

Register Name: **TCSR**

Register Description: **DS21458 TCLK Pin Source**

Register Offset: **0x0012**

Bit #	7	6	5	4	3	2	1	0
Name	T4S1	T4S0	T3S1	T3S0	T2S1	T2S0	T1S1	T1S0
Default	0	0	0	0	0	0	0	0

Bit 0 to 1: DS21458 Port 1 TCLK Source (T1S0, T1S1)

The source for TCLK 1 is Defined as shown in Table 3.

Bit 2 to 3: DS21458 Port 2 TCLK Source (T2S0, T2S1)

The source for TCLK 2 is Defined as shown in Table 3.

Bit 4 to 5: DS21458 Port 3 TCLK Source (T3S0, T3S1)

The source for TCLK 3 is Defined as shown in Table 3.

Bit 6 to 7: DS21458 Port 4 TCLK Source (T4S0, T4S1)

The source for TCLK 3 is Defined as shown in Table 3.

Table 3. TCLKx Source Definition

TxS1, TxS0	TCLK CONNECTION
00	Drive TCLK _x with the 1.544MHz clock
01	Drive TCLK _x with the 2.048MHz clock
10	Drive TCLK _x with RCLK _x
11	N/A

Register Name: **SYCLKT**

Register Description: **DS21458 TSYCLK Pin Setting**

Register Offset: **0x0013**

Bit #	7	6	5	4	3	2	1	0
Name	R4S1	R4S0	R3S1	R3S0	R2S1	R2S0	R1S1	R1S0
Default	0	0	0	0	0	0	0	0

Bit 0 to 1: DS21458 Port 1 TSYCLK Source (R1S0, R1S1)

The source for TSYCLK 1 is Defined as shown in Table 4.

Bit 2 to 3: DS21458 Port 2 TSYCLK Source (R2S0, R2S1)

The source for TSYCLK 2 is Defined as shown in Table 4.

Bit 4 to 5: DS21458 Port 3 TSYCLK Source (R3S0, R3S1)

The source for TSYCLK 3 is Defined as shown in Table 4.

Bit 6 to 7: DS21458 Port 4 TSYCLK Source (R4S0, R4S1)

The source for TSYCLK 4 is Defined as shown in Table 4.

Table 4. TSYCLK_x Source Definition

RxS1, RxS0	TSYCLK _x CONNECTION
00	Drive TSYCLK _x with the 1.544MHz clock
01	Drive TSYCLK _x with the 2.048MHz clock
10	Drive TSYCLK _x with 8.192MHz clock
11	Drive TSYCLK _x with DS21458 Port _x BPCLK

Register Name: **SYCLKR**Register Description: **DS21458 RSYCLK Pin Setting**Register Offset: **0x0014**

Bit #	7	6	5	4	3	2	1	0
Name	T4S1	T4S0	T3S1	T3S0	T2S1	T2S0	T1S1	T1S0
Default	0	0	0	0	0	0	0	0

Bit 0 to 1: DS21458 Port 1 RSYCLK Source (T1S0, T1S1)

The source for RSYCLK 1 is Defined as shown in Table 5.

Bit 2 to 3: DS21458 Port 2 RSYCLK Source (T2S0, T2S1)

The source for RSYCLK 2 is Defined as shown in Table 5.

Bit 4 to 5: DS21458 Port 3 RSYCLK Source (T3S0, T3S1)

The source for RSYCLK 3 is Defined as shown in Table 5.

Bit 6 to 7: DS21458 Port 4 RSYCLK Source (T4S0, T4S1)

The source for RSYCLK 4 is Defined as shown in Table 5.

Table 5. RSYCLK_x Source Definition

TxS1, TxS0	RSYCLK _x CONNECTION
00	Drive RSYCLK _x with the 1.544MHz clock
01	Drive RSYCLK _x with the 2.048MHz clock
10	Drive RSYCLK _x with 8.192MHz clock
11	Drive RSYCLK _x with DS21458 Port _x BPCLK

Register Name: **SYNC1**Register Description: **DS21458 TSYNC Pin Source**Register Offset: **0x0015**

Bit #	7	6	5	4	3	2	1	0
Name	—	—	—	—	T4SRC	T3SRC	T2SRC	T1SRC
Default	—	—	—	—	0	0	0	0

Bit 0: DS21458 Port 1 TSYNC Source (T1SRC)

0 = TSYNC 1 is an output, tri-state corresponding FPGA driver pin (weak pulldown)

1 = Drive TSYNC 1 with RSYNC 1

Bit 1: DS21458 Port 2 TSYNC Source (T2SRC)

0 = TSYNC 2 is an output, tri-state corresponding FPGA driver pin (weak pulldown)

1 = Drive TSYNC 2 with RSYNC 2

Bit 2: DS21458 Port 3 TSYNC Source (T3SRC)

0 = TSYNC 3 is an output, tri-state corresponding FPGA driver pin (weak pulldown)

1 = Drive TSYNC 3 with RSYNC 3

Bit 3: DS21458 Port 4 TSYNC Source (T4SRC)

0 = TSYNC 4 is an output, tri-state corresponding FPGA driver pin (weak pulldown)

1 = Drive TSYNC 4 with RSYNC 4

Note: When driving TSYNC_x with RSYNC_x the corresponding DS21458 port should be configured such that TSYNC_x is an input (IOCR1.1 = 0) and RSYNC_x is an output (IOCR1.4 = 0).

Register Name: **SYNC2**

Register Description: **DS21458 TSSYNC Pin Source**

Register Offset: **0x0016**

Bit #	7	6	5	4	3	2	1	0
Name	—	—	—	—	T4SRC	T3SRC	T2SRC	T1SRC
Default	—	—	—	—	0	0	0	0

Bit 0: DS21458 Port 1 TSSYNC Source (T1SRC)

0 = Not using transmit-side elastic store, tri-state corresponding FPGA driver pin (weak pulldown)

1 = Drive TSSYNC 1 with RSYNC 1

Bit 1: DS21458 Port 2 TSSYNC Source (T2SRC)

0 = Not using transmit-side elastic store, tri-state corresponding FPGA driver pin (weak pulldown)

1 = Drive TSSYNC 2 with RSYNC 2

Bit 2: DS21458 Port 3 TSSYNC Source (T3SRC)

0 = Not using transmit-side elastic store, tri-state corresponding FPGA driver pin (weak pulldown)

1 = Drive TSSYNC 3 with RSYNC 3

Bit 3: DS21458 Port 4 TSSYNC Source (T4Source)

0 = Not using transmit-side elastic store, tri-state corresponding FPGA driver pin (weak pulldown)

1 = Drive TSSYNC 4 with RSYNC 4

Note: When driving TSSYNcx with RSYNcx the corresponding DS21458 port should be configured such that RSYNcx is an output (IOCR1.4 = 0).

Register Name: **SYNC3**

Register Description: **DS21458 RSYNC Pin Setting**

Register Offset: **0x0017**

Bit #	7	6	5	4	3	2	1	0
Name	RSOR1	RSOR0	—	—	R4IO	R3IO	R2IO	R1IO
Default	0	0	—	—	0	0	0	0

Bit 0: DS21458 Port 1 RSYNC Setting (R1IO)

0 = RSYNC 1 is an output, tri-state corresponding FPGA driver pin (weak pulldown)

1 = Drive RSYNC 1 with RSYNC_x as shown in Table 6

Bit 1: DS21458 Port 2 RSYNC Setting (R2IO)

0 = RSYNC 2 is an output, tri-state corresponding FPGA driver pin (weak pulldown)

1 = Drive RSYNC 2 with RSYNC_x as shown in Table 6

Bit 2: DS21458 Port 3 RSYNC Setting (R3IO)

0 = RSYNC 3 is an output, tri-state corresponding FPGA driver pin (weak pulldown)

1 = Drive RSYNC 4 with RSYNC_x as shown in Table 6

Bit 3: DS21458 Port 4 RSYNC Setting (R4IO)

0 = RSYNC 4 is an output, tri-state corresponding FPGA driver pin (weak pulldown)

1 = Drive RSYNC 4 with RSYNC_x as shown in Table 6

Note: When driving RSYNC_y with RSYNC_x the corresponding DS21458 port should be configured such that RSYNC_x is an output (IOCR1.4 = 0) and RSYNC_y is an input (IOCR1.4 = 1).

Table 6. RSYNC_x Function Definition

RSOR1, RSOR0	MASTER RSYNC DESIGNATION
00	RSYNC 1 is used to drive other RSYNC pins (providing R _x IO = 1)
01	RSYNC 2 is used to drive other RSYNC pins (providing R _x IO = 1)
10	RSYNC 3 is used to drive other RSYNC pins (providing R _x IO = 1)
11	RSYNC 4 is used to drive other RSYNC pins (providing R _x IO = 1)

Register Name: **TSERS**Register Description: **DS21458 TSER Pin Source**Register Offset: **0x0018**

Bit #	7	6	5	4	3	2	1	0
Name	T4S1	T4S0	T3S1	T3S0	T2S1	T2S0	T1S1	T1S0
Default	0	0	0	0	0	0	0	0

Bit 0 to 1: DS21458 Port 1 TSER Source (T1S0, T1S1)

The source for TSER 1 is Defined as shown in Table 7.

Bit 2 to 3: DS21458 Port 2 TSER Source (T2S0, T2S1)

The source for TSER 2 is Defined as shown in Table 7.

Bit 4 to 5: DS21458 Port 3 TSER Source (T3S0, T3S1)

The source for TSER 3 is Defined as shown in Table 7.

Bit 6 to 7: DS21458 Port 4 TSER Source (T4S0, T4S1)

The source for TSER 4 is Defined as shown in Table 7.

Table 7. TSERx Source Definition

TxS1, TxS0	TSER _x CONNECTION
00	Tri-state TSER _x (weak pulldown)
01	Drive TSER _x with RSER _x
10	Drive TSER _x with PCM_TXD bus (DK2000 only)
11	N/A

Register Name: **PRSER**Register Description: **PCM RSER Source**Register Offset: **0x0019**

Bit #	7	6	5	4	3	2	1	0
Name	—	—	—	—	R1EN	R1EN	R1EN	R1EN
Default	—	—	—	—	0	0	0	0

Bit 0 to 1: PCM RSER Source (R1EN)

0 = Do not drive DS21458 Port 1 RSER onto PCM_RSER

1 = Logically OR DS21458 Port 1 RSER with selected other RSER pins and drive onto PCM_RSER

Bit 2 to 3: DS21458 Port 2 TSER Source (T2S0, T2S1)

0 = Do not drive DS21458 Port 2 RSER onto PCM_RSER

1 = Logically OR DS21458 Port 2 RSER with selected other RSER pins and drive onto PCM_RSER

Bit 4 to 5: DS21458 Port 3 TSER Source (T3S0, T3S1)

0 = Do not drive DS21458 Port 3 RSER onto PCM_RSER

1 = Logically OR DS21458 Port 3 RSER with selected other RSER pins and drive onto PCM_RSER

Bit 6 to 7: DS21458 Port 4 TSER Source (T4S0, T4S1)

0 = Do not drive DS21458 Port 4 RSER onto PCM_RSER

1 = Logically OR DS21458 Port 4 RSER with selected other RSER pins and drive onto PCM_RSER

Note: PRSER register is for use with the DK2000 only.

Register Name: **PSYNC**Register Description: **PCM RSYNC/TSYNC Source**Register Offset: **0x001A**

Bit #	7	6	5	4	3	2	1	0
Name	—	—	T2SR	T1SR	—	—	R2SR	R1SR
Default	—	—	0	0	—	—	0	0

Bit 0 to 1: PCM_RSYNC Source

R2SR, R1SR	PCM_RSYNC SOURCE
00	PCM_RSYNC is driven by DS21458 port 1 RSYNC
01	PCM_RSYNC is driven by DS21458 port 2 RSYNC
10	PCM_RSYNC is driven by DS21458 port 3 RSYNC
11	PCM_RSYNC is driven by DS21458 port 4 RSYNC

Bit 4 to 5: PCM_TSYNC Source

T2SR, T1SR	PCM_TSYNC SOURCE
00	PCM_TSYNC is driven by DS21458 port 1 TSYNC
01	PCM_TSYNC is driven by DS21458 port 2 TSYNC
10	PCM_TSYNC is driven by DS21458 port 3 TSYNC
11	PCM_TSYNC is driven by DS21458 port 4 TSYNC

Note: PSYNC register is for use with the DK2000 only.

Register Name: **PCLK**Register Description: **PCM RCLK/TCLK Source**Register Offset: **0x001B**

Bit #	7	6	5	4	3	2	1	0
Name	—	TCM	T2SR	T1SR	—	RCM	R2SR	R1SR
Default	—	0	0	0	—	0	0	0

Bit 0 to 2: PCM_RCLK Source

RCM,R2SR, R1SR	PCM_RCLK SOURCE
000	PCM_RCLK is driven by DS21458 port 1 RCLK
001	PCM_RCLK is driven by DS21458 port 2 RCLK
010	PCM_RCLK is driven by DS21458 port 3 RCLK
011	PCM_RCLK is driven by DS21458 port 4 RCLK
100	PCM_RCLK is driven by DS21458 port 1 BPCLK
101	PCM_RCLK is driven by DS21458 port 2 BPCLK
110	PCM_RCLK is driven by DS21458 port 3 BPCLK
111	PCM_RCLK is driven by DS21458 port 4 BPCLK

Bit 4 to 5: PCM_TCLK Source

TCM,T2SR, T1SR	PCM_TCLK SOURCE
000	PCM_TCLK is driven by source used for DS21458 port 1 TCLK
001	PCM_TCLK is driven by source used for DS21458 port 2 TCLK
010	PCM_TCLK is driven by source used for DS21458 port 3 TCLK
011	PCM_TCLK is driven by source used for DS21458 port 4 TCLK
100	PCM_TCLK is driven by DS21458 port 1 BPCLK
101	PCM_TCLK is driven by DS21458 port 2 BPCLK
110	PCM_TCLK is driven by DS21458 port 3 BPCLK
111	PCM_TCLK is driven by DS21458 port 4 BPCLK

Note: PCLK register is for use with the DK2000 only.

FPGA CONTROL EXAMPLES

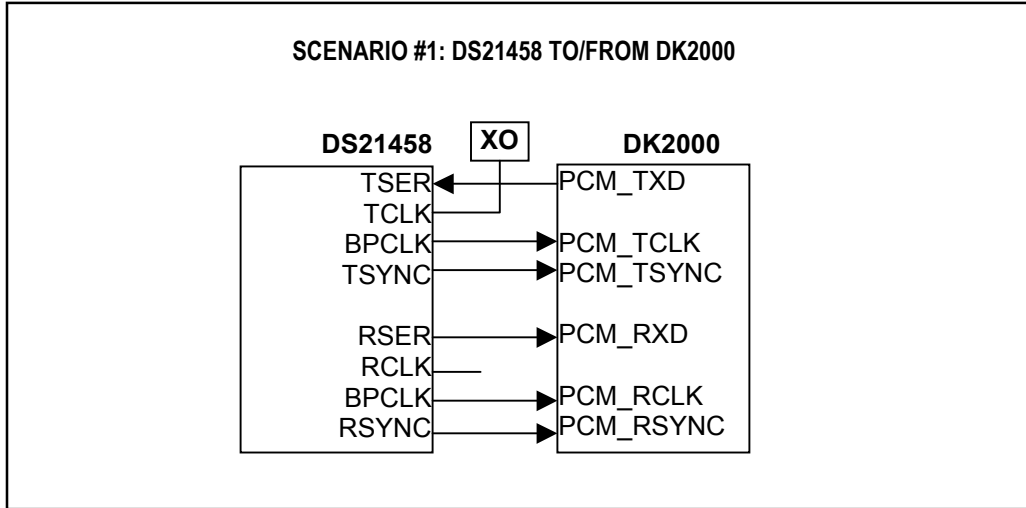
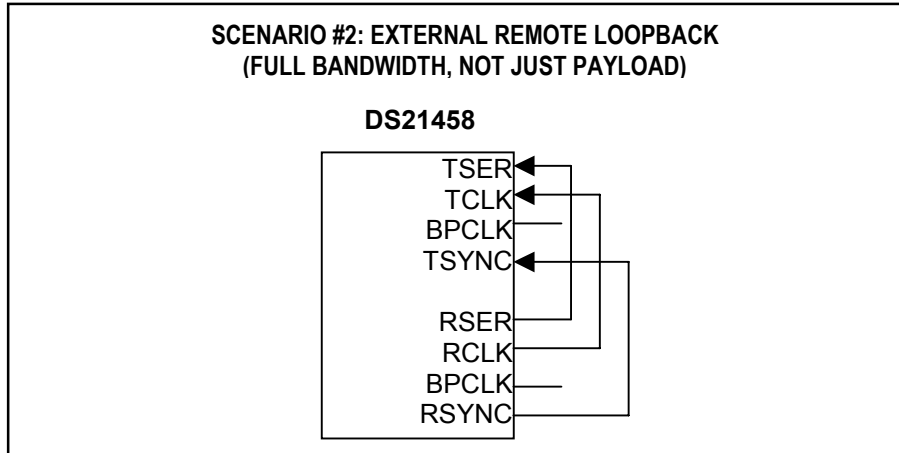


Table 8. FPGA Configuration for Scenario #1 (Port 1, T1 Mode)

REGISTER	SETTING	COMMENT
MCSR	0X01	Drive DS21458 ports 1 and 3 MCLK with 2.048MHz
TCSR	0X00	Drive TCLK with 1.544MHz
SYSCLKT	0X00	Drive TSYCLK with 1.544MHz
SYSCLKR	0X00	Drive RSYCLK with 1.544MHz
SYNC1	0X00	Tri-state FPGA driver pin for DS21458 TSYNC1
SYNC2	0X01	Drive TSSYNC1 with RSYNC1
SYNC3	0X00	Tri-state FPGA driver pin for DS21458 RSYNC
TSERS	0X02	Drive DS21458 TSER1 with data from PCM bus
PRSER	0X01	Drive DS21458 RSER1 onto PCM bus
PSYNC	0X00	PCM RSYNC and PCM TSYNC are provided by DS21458 port 1 RSYNC and TSYNC (respectively)
PCLK	0X44	PCM RCLK and TCLK are driven by port 1 BPCLK

FPGA CONTROL EXAMPLES (continued)**Table 9. FPGA Configuration for Scenario #2 (Port 1, T1 Mode)**

REGISTER	SETTING	COMMENT
MCSR	0X01	Drive DS21458 ports 1 and 3 MCLK with 2.048MHz
TCSR	0X02	Drive TCLK1 with RCLK1
SYSCLKT	0X00	Drive TSYCLK with 1.544MHz
SYSCLKR	0X00	Drive RSYCLK with 1.544MHz
SYNC1	0X01	Drive TSYNC1 with RSYNC1
SYNC2	0X01	Drive TSSYNC1 with RSYNC1
SYNC3	0X00	Tri-state FPGA driver pin for DS21458 RSYNC
TSERS	0X01	Drive DS21458 TSER1 with data from RSER1
PRSER	N/A	Unused
PSYNC	N/A	Unused
PCLK	N/A	Unused

Table 10. DS21458 Partial Configuration for Scenario #2 (Port 1, T1 Mode)

REGISTER	SETTING	COMMENT
IOCR1	TSIO = 0; RSIO = 0	TSYNC is an input, RSYNC is an output
ESCR	TESE = 0; RESE = 0	Bypass Rx and Tx elastic stores
CCR1	TCSS1 = 0; TCSS2 = 0	TCLK is driven by TCLK pin

DS21458 INFORMATION

For more information about the DS21458, please consult the DS21458 data sheet available on our website at www.maxim-ic.com/DS21458. Software downloads are also available for this design kit.

DS21458DK INFORMATION

For more information about the DS21458DK, including software downloads, please consult the DS21458DK data sheet available on our website at www.maxim-ic.com/DS21458DK.

TECHNICAL SUPPORT

For additional technical support, please e-mail your questions to telecom.support@dalsemi.com.

SCHEMATICS

The DS21458DK schematics are featured at the end of this document.

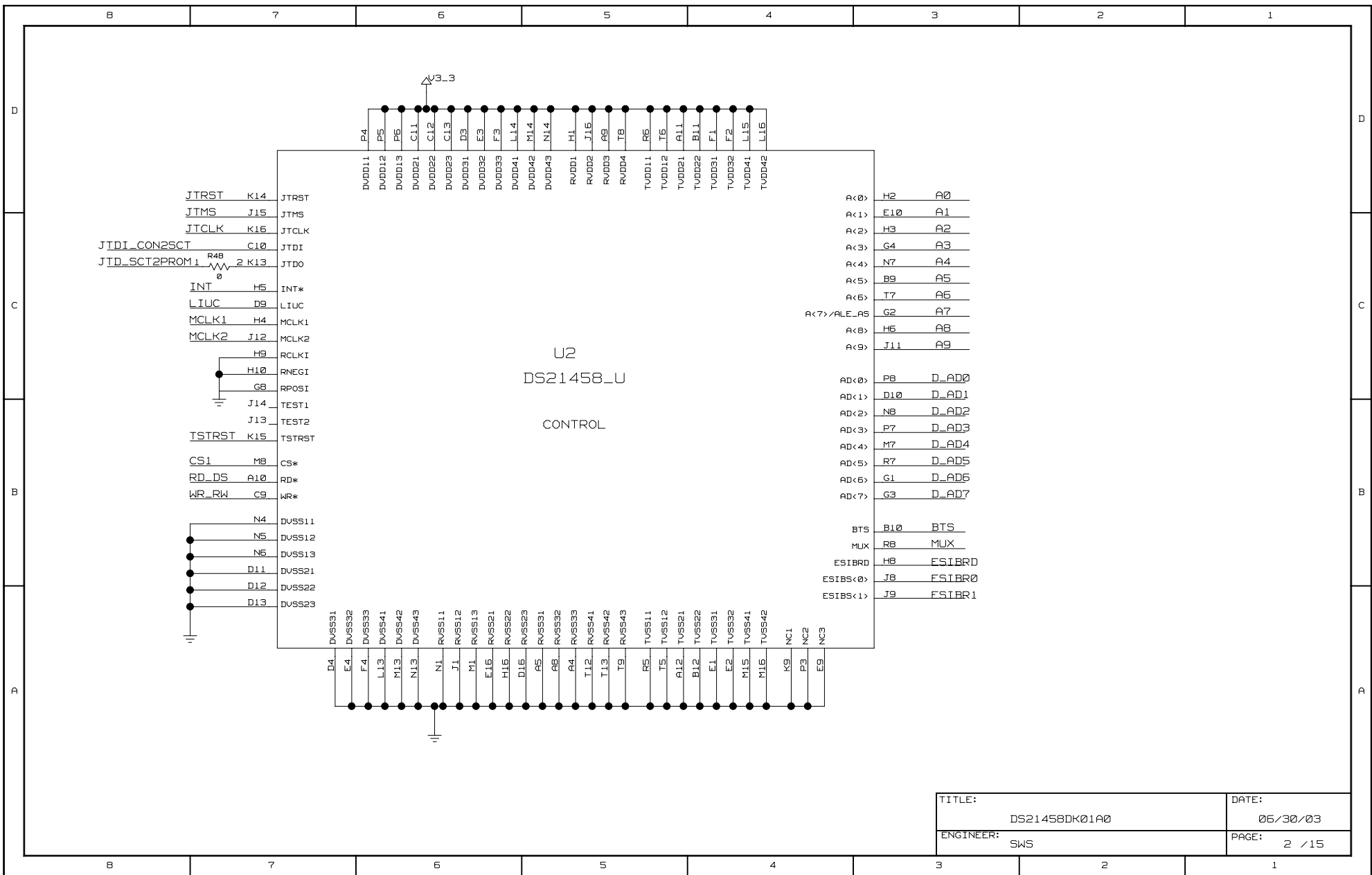
DS21458 DESIGN KIT

REVISIONS: (MODIFICATION FROM DS21055 BOARD)

CONTENTS

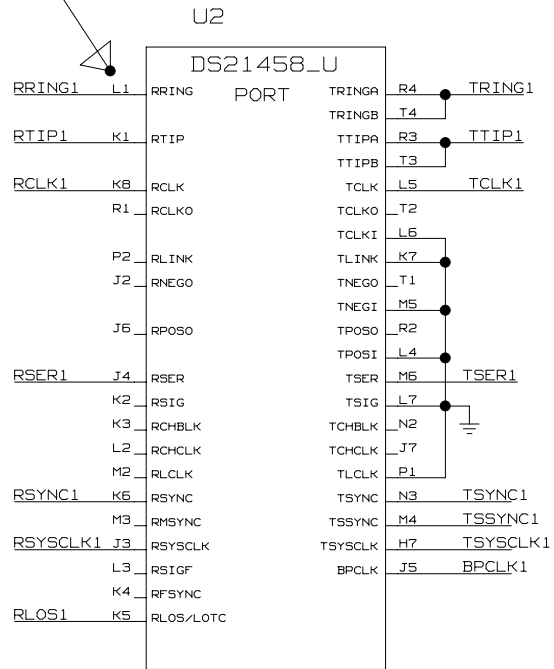
- | | |
|-------------------------------------------------------------------------------------------------------------------------------------------------------------------------------------------------------------------------------------------------------------------------------------------------------------------------------------------------------------------------------------------------------------------------------------------------------------------------------------------------------------------------------------------------------------------------------------------------------------------------------------------------------|-------------------------------------------------------------------------------------------------------------------------------------------------------------------------------------------------------------------------------------------------------------------------------------------------------------------------------------------------------------------------------------------------------------------------------------------------------------------------------------------------------------------------------------------------------------------------------------------------------------------------------------------------------------------------------------------------------------------------------------------------------------------------------------------------------------------------------------------------------------------------------------------------|
| <ol style="list-style-type: none">1. COVER PAGE2. DS21458 CONTROL AND BACKPLANE3. PORT 1 AND 2 TX / RX SYSTEM SIDE4. PORT 3 AND 4 TX / RX SYSTEM SIDE5. PORT 1 TX / RX ANALOG PATHS6. PORT 2 TX / RX ANALOG PATHS7. PORT 3 TX / RX ANALOG PATHS8. PORT 4 TX / RX ANALOG PATHS9. DAUGHTER CARD ADDRESS DATA BUS CONNECTION10. FPGA CROSS CONNECT FOR RX / TX SIGNALS11. FPGA AND CONFIG PROM CONTROL12. FPGA CLOCK AND DATABUS13. SUPPLY DECOUPLING14. SIGNAL CROSS-REFERENCE15. COMPONENT CROSS-REFERENCE | <ol style="list-style-type: none">1. ESIBRD CONNECTIONS CHANGE FROM 4X TO 1X (ONLY PULLDOWNS REMAIN)2. ADDED A8 AND A9 TO DS21458 AND FPGA, REMOVED CS2-43. REMOVED RLOS FPGA CONNECTION, RLOS LED IS NOW DRIVEN BY THE SCT4. REMOVED SERIAL CONFIG PROM, REPLACED WITH XILINX FLASH BASED CONFIG PROM5. RAN PIN SWAP ON XILINX PART TO ACCOMMODATE PIN DIFFERENCES BETWEEN DS21458 AND DS210556. REMOVED TEST POINTS IN JTAG CHAIN7. REMOVED CONNECTION BETWEEN 2.5V SUPPLY MONITOR AND FPGA INIT PIN8. REMOVED CONNECTION BETWEEN CPU RESET AND FPGA PROGRAM PIN
-FPGA RESET IS NOW DRIVEN BY INTERNAL STATE MACHINE9. CHANGED SWITCH NAMES FOR PORT 1-4 FROM SW PREFIX TO PRT PREFIX10. ADDED T1 E1 DESIGNATION TO SWITCHES FOR PORT 1-411. CHANGED SILKSCREEN ON JTAG CONNECTOR |
|-------------------------------------------------------------------------------------------------------------------------------------------------------------------------------------------------------------------------------------------------------------------------------------------------------------------------------------------------------------------------------------------------------------------------------------------------------------------------------------------------------------------------------------------------------------------------------------------------------------------------------------------------------|-------------------------------------------------------------------------------------------------------------------------------------------------------------------------------------------------------------------------------------------------------------------------------------------------------------------------------------------------------------------------------------------------------------------------------------------------------------------------------------------------------------------------------------------------------------------------------------------------------------------------------------------------------------------------------------------------------------------------------------------------------------------------------------------------------------------------------------------------------------------------------------------------|

TITLE: DS21458DK01A0	DATE: 05/30/03
ENGINEER: SWS	PAGE: 1 / 15

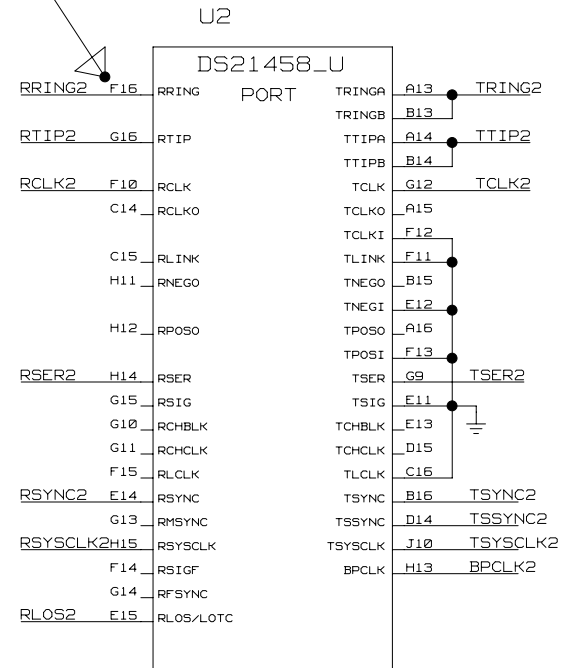


TITLE:	DATE:
DS21458DK01A0	05/30/03
ENGINEER: SWS	PAGE: 2 / 15

PORT1_RRING = PIN L1

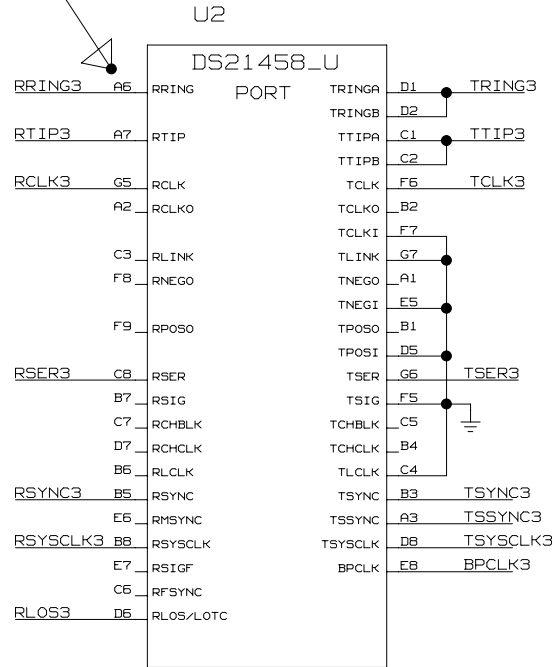


PORT2_RRING = PIN F16

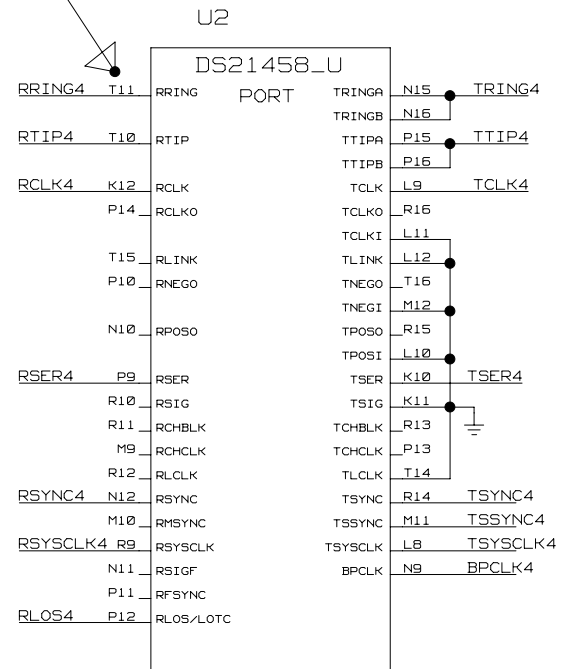


TITLE:	DS21458DK01A0	DATE:	05/30/03
ENGINEER:	SWS	PAGE:	3 / 15

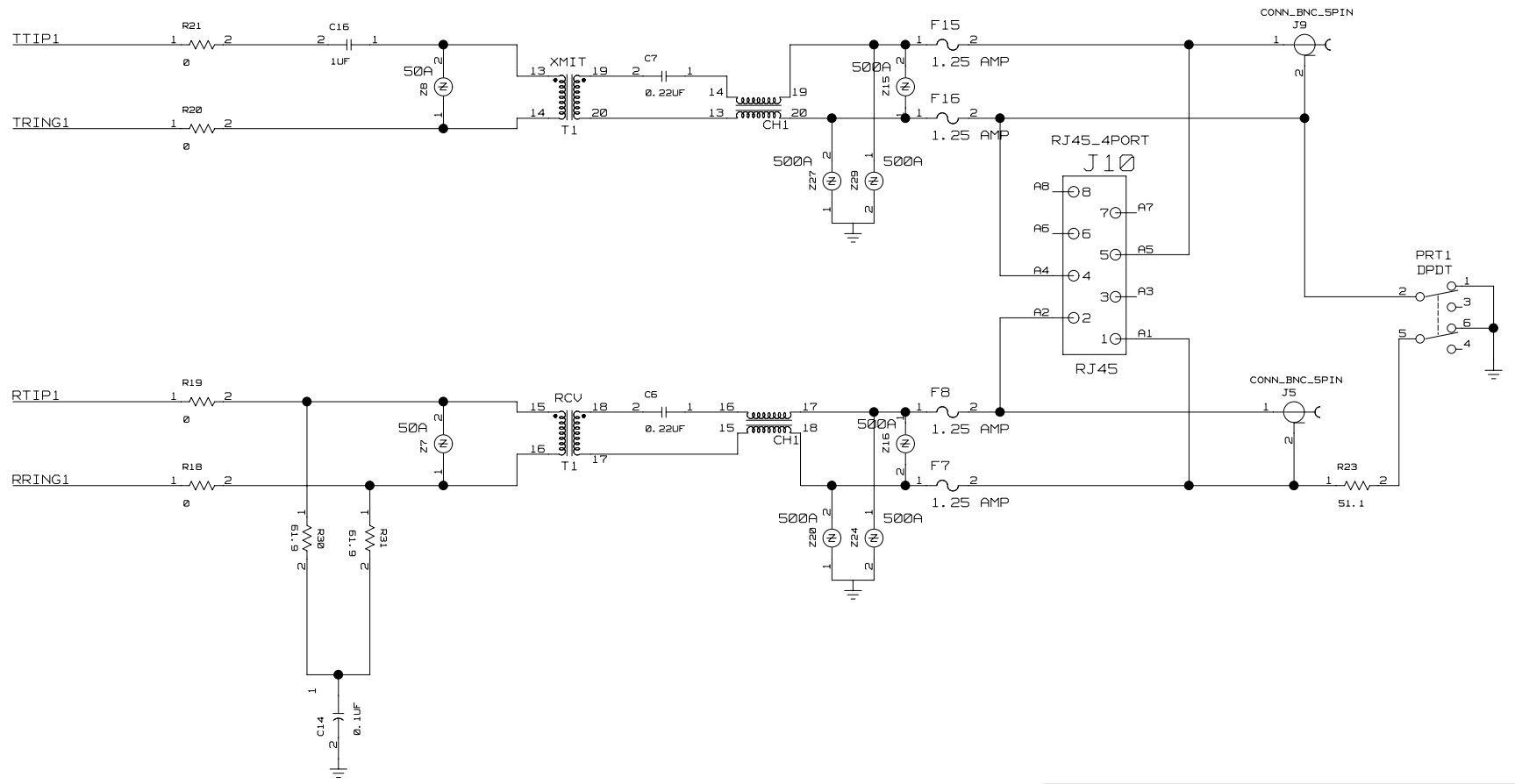
PORT3_RRING = PIN A6



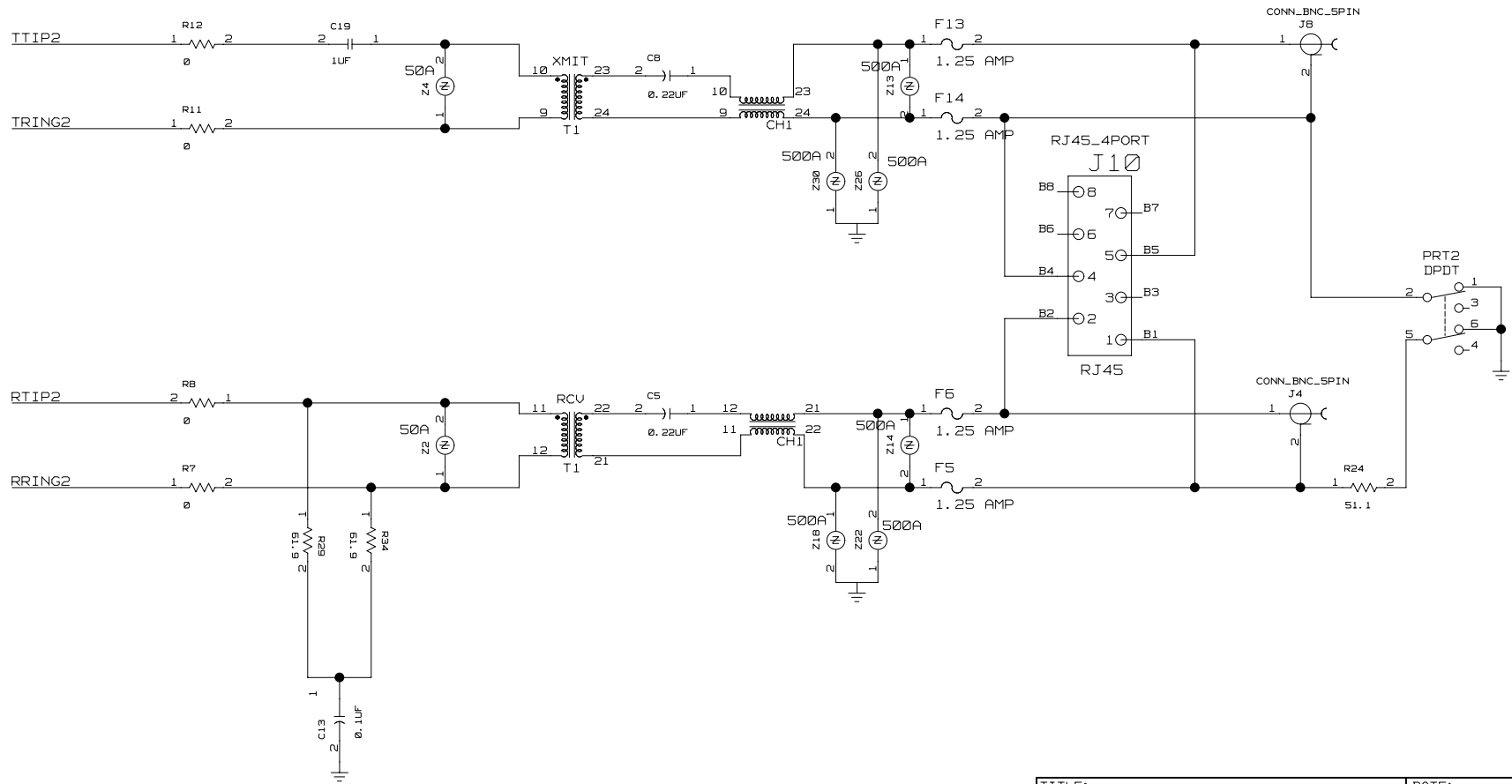
PORT4_RRING = PIN T11



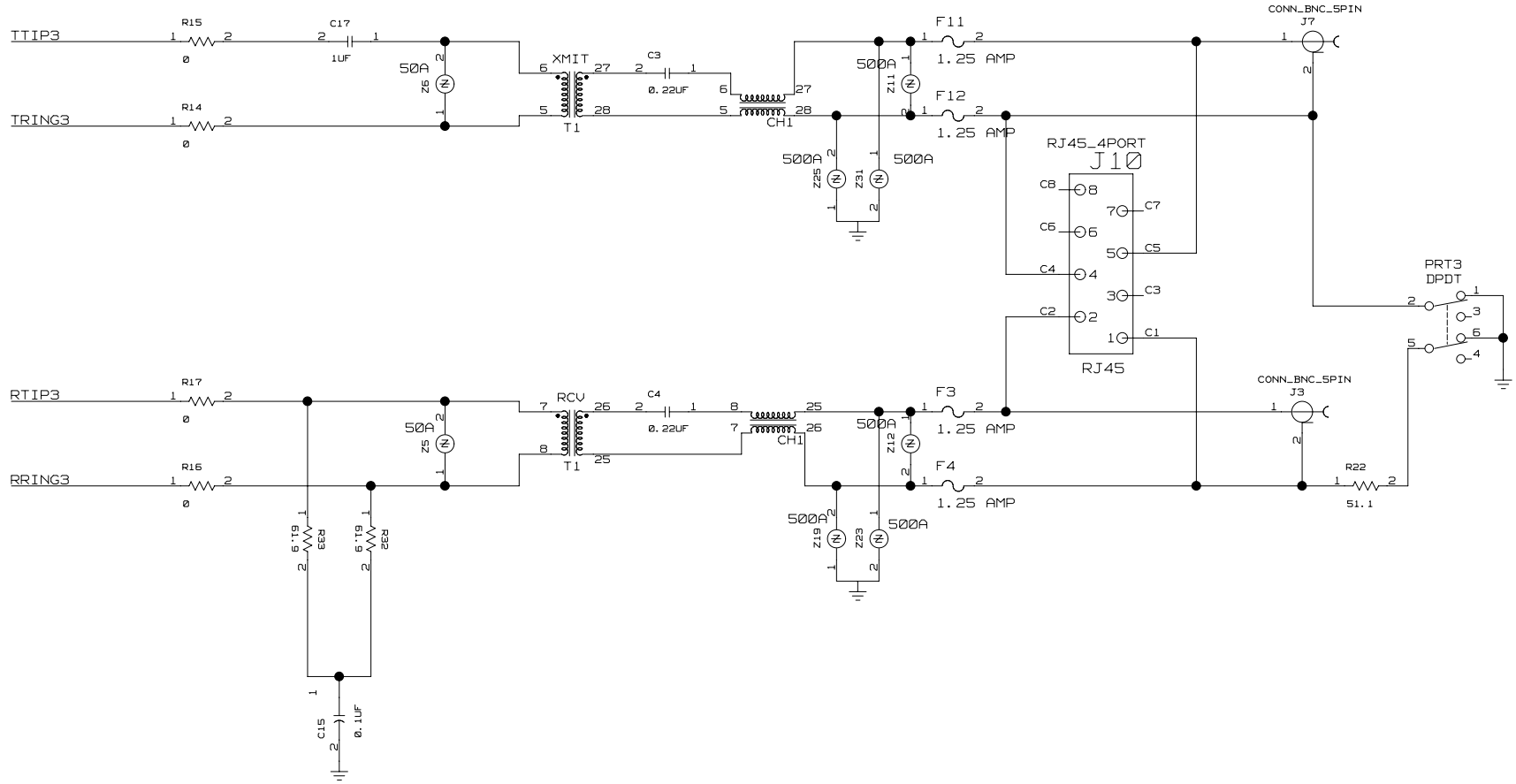
TITLE:	DS21458DK01A0	DATE:	05/30/03
ENGINEER:	SWS	PAGE:	4 / 15



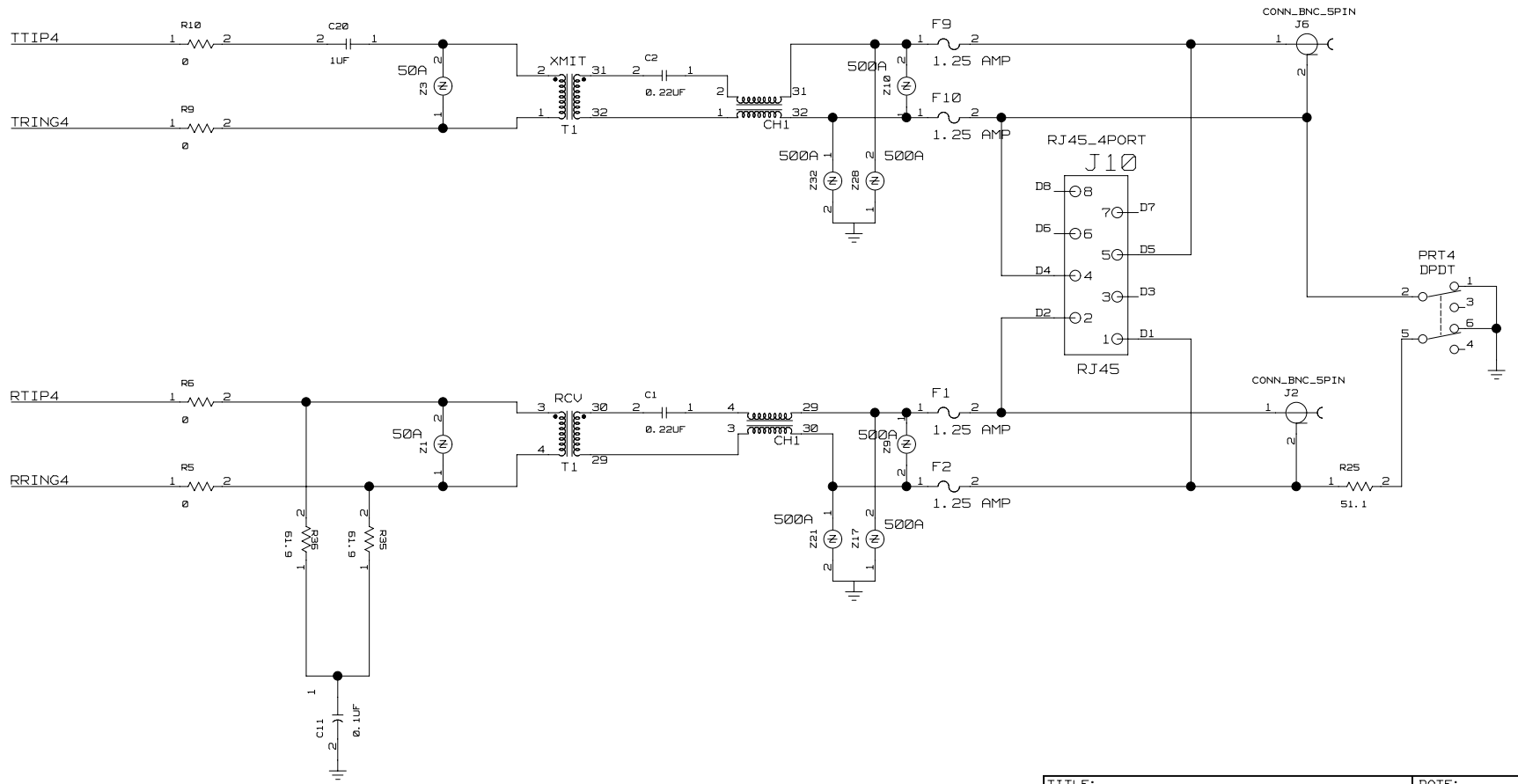
TITLE:	DS21458DK01A0	DATE:	05/30/03
ENGINEER:	SWS	PAGE:	5 / 15



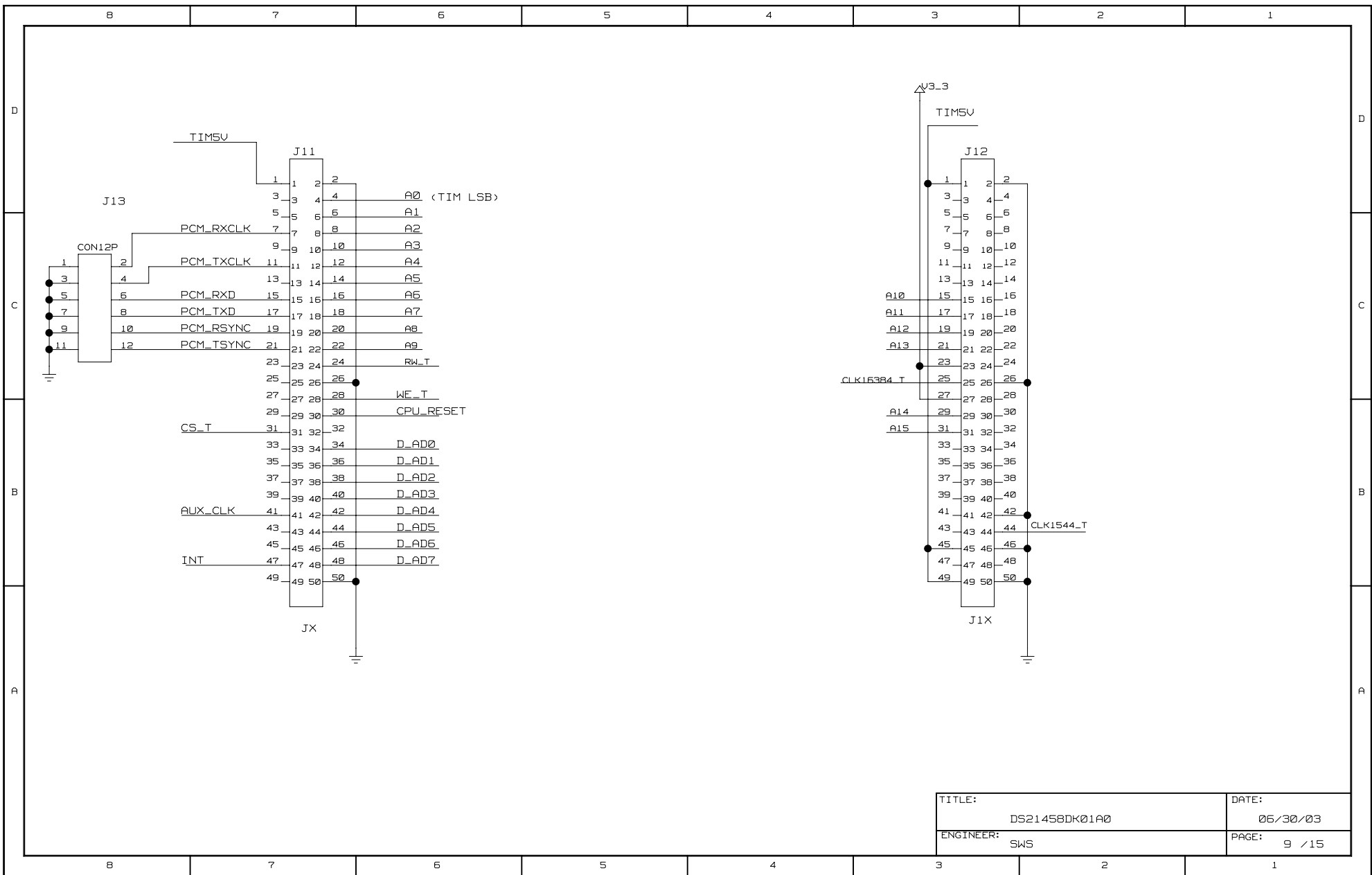
TITLE:	DS21458DK01A0	DATE:	05/30/03
ENGINEER:	SWS	PAGE:	6 / 15



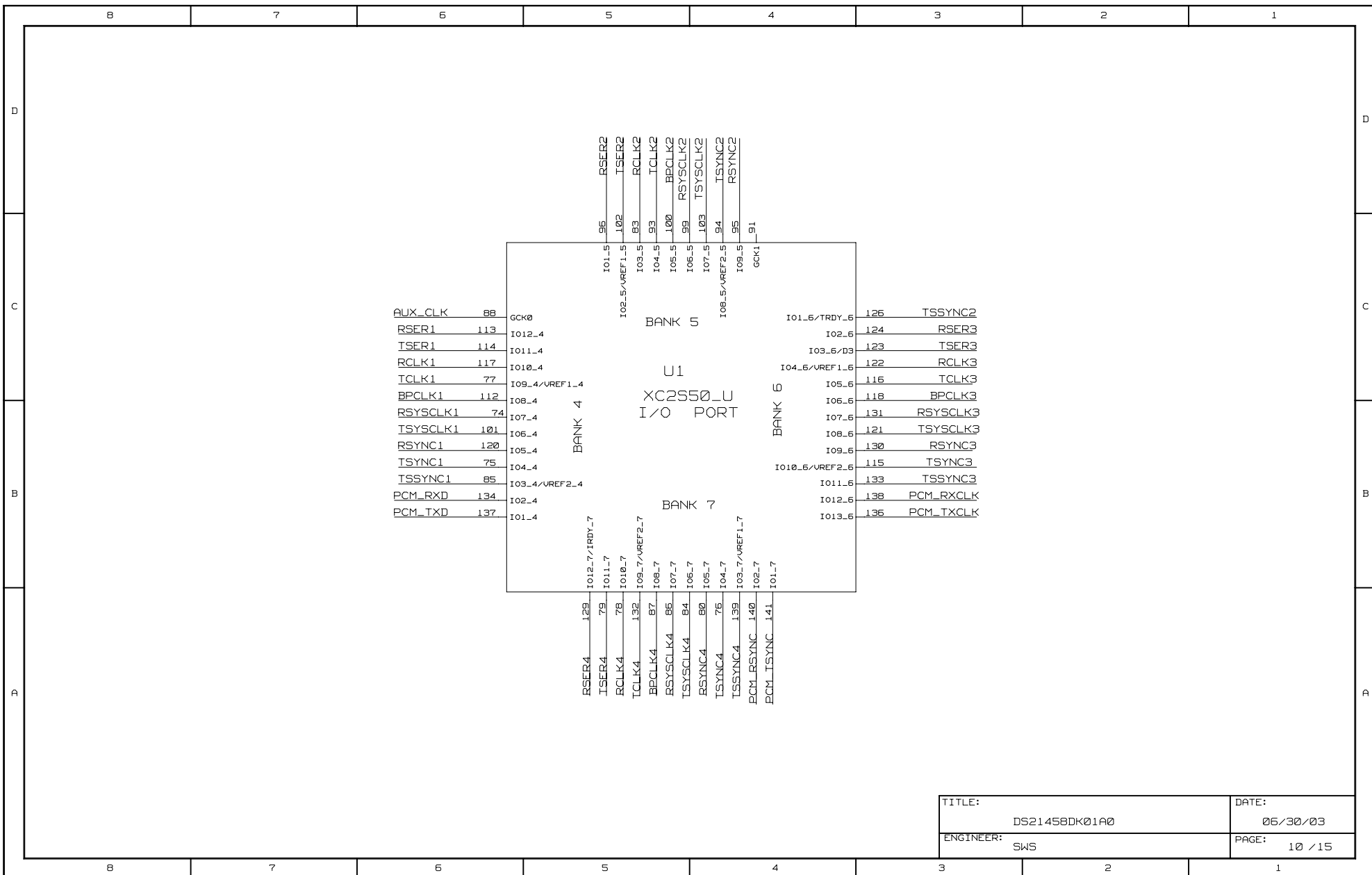
TITLE:	DS21458DK01A0	DATE:	05/30/03
ENGINEER:	SWS	PAGE:	7 / 15



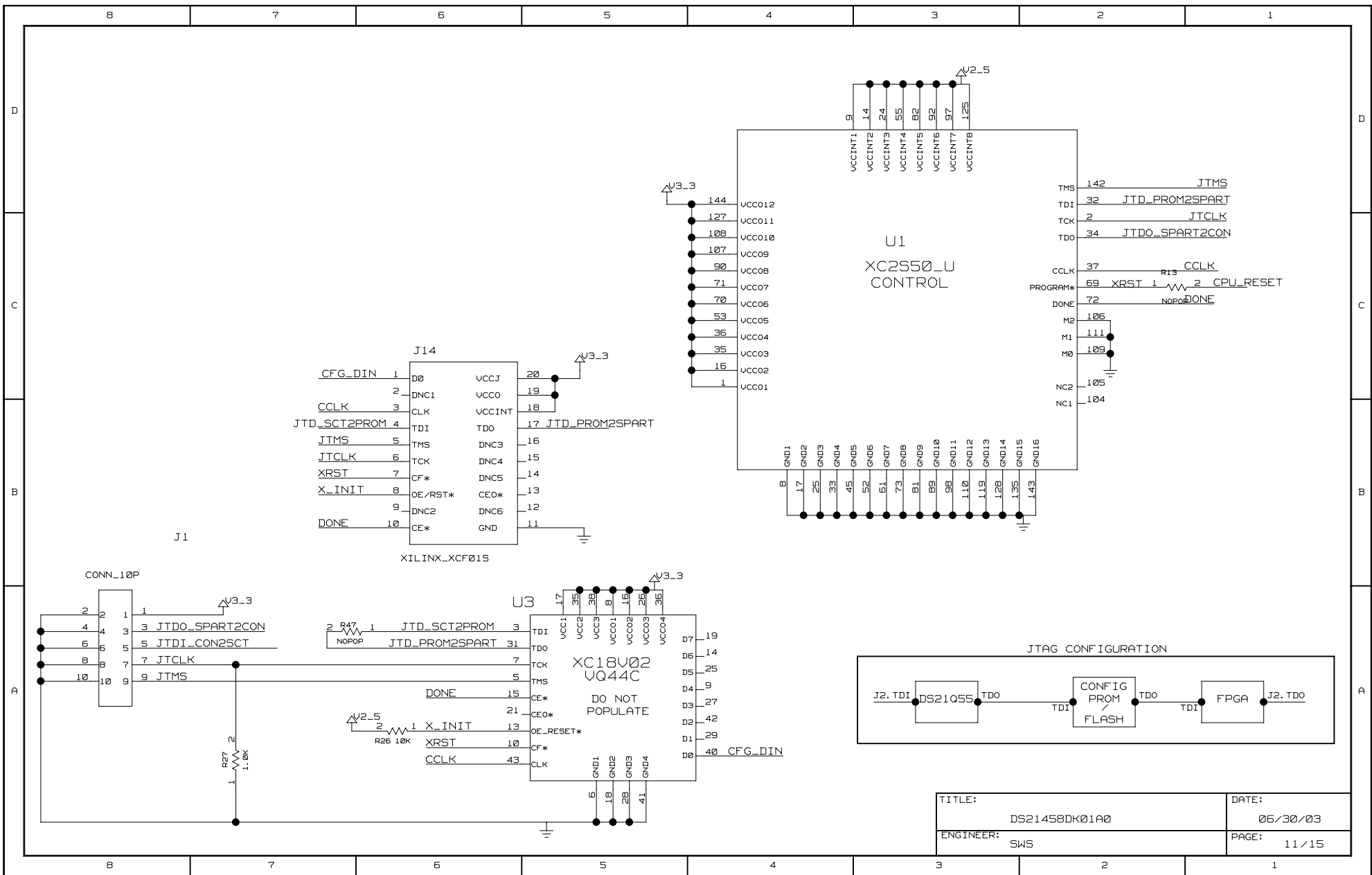
TITLE:	DS21458DK01A0	DATE:	05/30/03
ENGINEER:	SWS	PAGE:	8 / 15



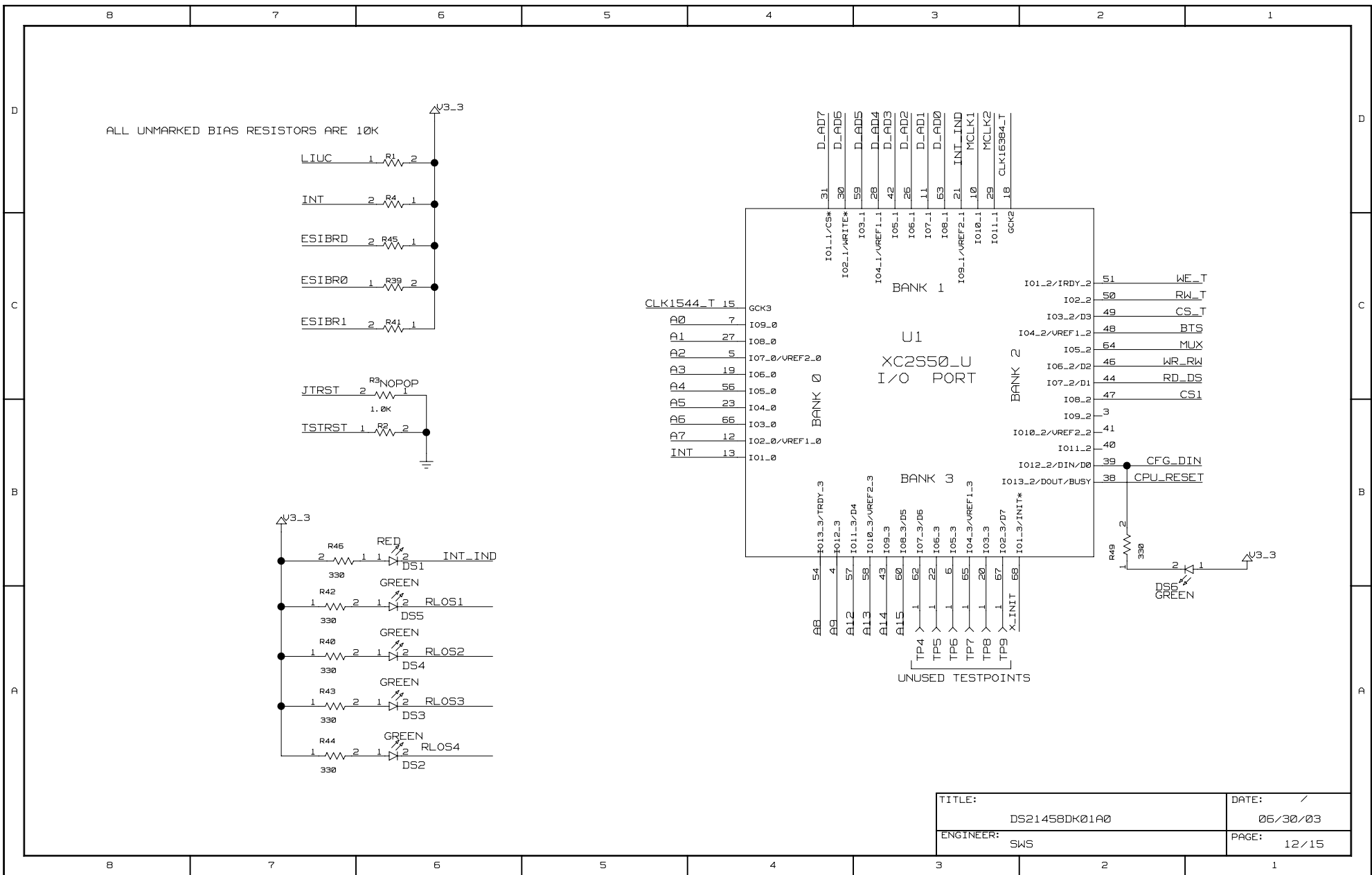
TITLE:	DS21458DK01A0	DATE:	05/30/03
ENGINEER:	SWS	PAGE:	9 / 15



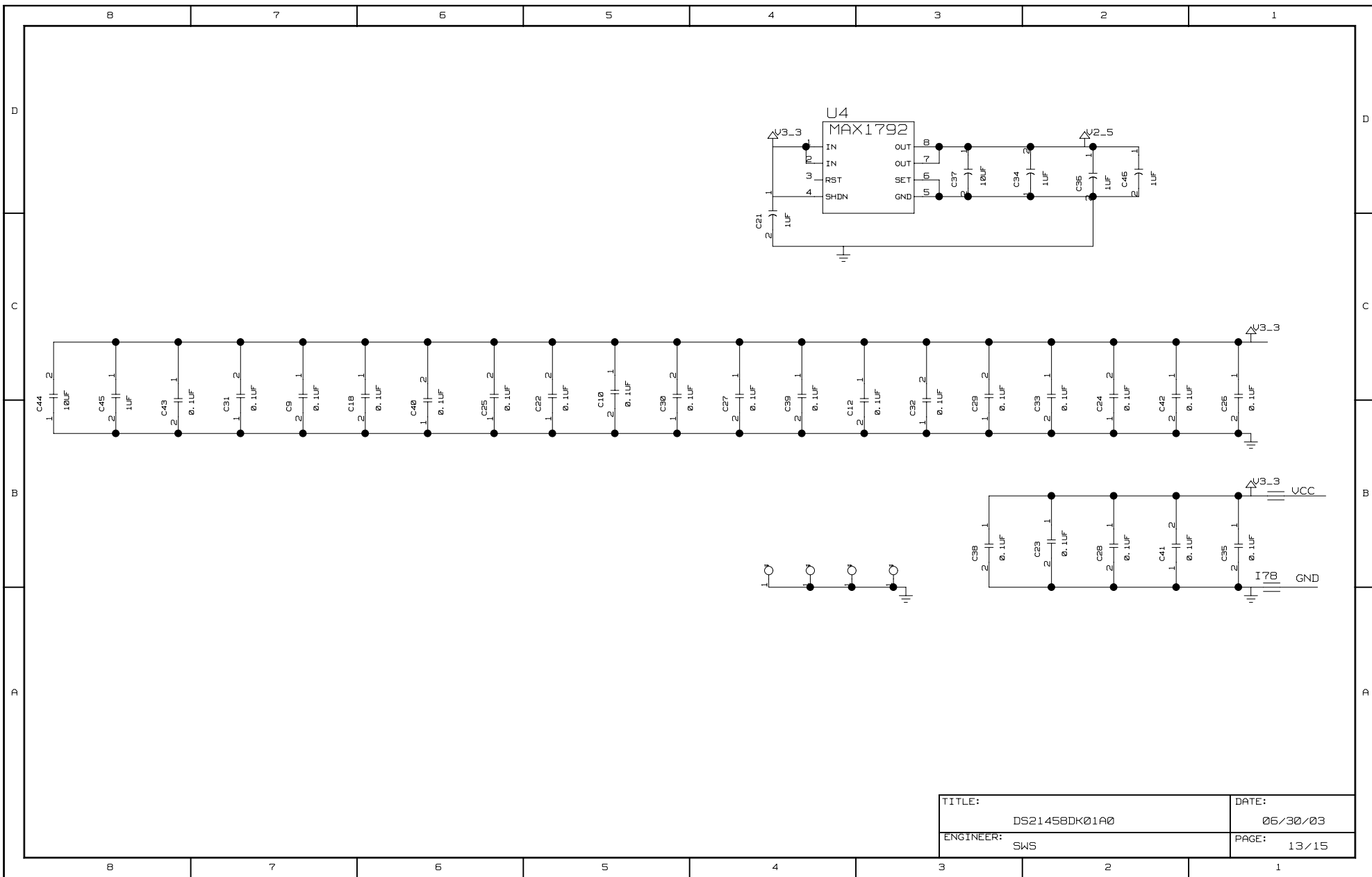
TITLE:	DS21458DK01A0	DATE:	05/30/03
ENGINEER:	SWS	PAGE:	10 / 15



TITLE:	DS21458DK01A0	DATE:	05/30/03
ENGINEER:	SWS	PAGE:	11 / 15



TITLE:	DS21458DK01A0	DATE:	05/30/03
ENGINEER:	SWS	PAGE:	12/15



TITLE:	DS21458DK01A0	DATE:	05/30/03
ENGINEER:	SWS	PAGE:	13/15

	8	7	6	5	4	3	2	1
D	*** Signal Cross-Reference for the entire design ***		RSER3	4B8 < 10C3 <				
	A0	9D6 < 12C5 < 2D3 <	RSER4	4B4 < 10A5 <				
	A1	9C6 < 12C5 < 2C3 <	RSYNC1	3B8 < 10B6 <				
	A2	9C6 < 12C5 < 2C3 <	RSYNC2	3B4 < 10D4 <				
	A3	9C6 < 12C5 < 2C3 <	RSYNC3	4B8 < 10B3 <				
	A4	9C6 < 12C5 < 2C3 <	RSYNC4	4B4 < 10A4 <				
	A5	9C6 < 12B5 < 2C3 <	RSYSCLK1	10B6 < 3B8 <				
	A6	9C6 < 12B5 < 2C3 <	RSYSCLK2	10D5 < 3B4 <				
	A7	9C6 < 12B5 < 2C3 <	RSYSCLK3	10B3 < 4B8 <				
	A8	9C6 < 12A4 < 2C3 <	RSYSCLK4	10A5 < 4A4 <				
	A9	9C6 < 12A4 < 2C3 <	RTIP1	3C8 < 5B8 <				
	A10	9C3 <	RTIP2	3C4 < 5B8 <				
	A11	9C3 <	RTIP3	4C8 < 7B8 <				
	A12	9C3 < 12A4 <	RTIP4	4C4 < 8B8 <				
	C	A13	9C3 < 12A3 <	RW_T	9C6 < 12C1 <			
A14		9B3 < 12A3 <	TCLK1	10C6 < 3C5 <				
A15		9B3 < 12A3 <	TCLK2	10D5 < 3C1 <				
ALX_CLK		9B8 < 10C6 <	TCLK3	10C3 < 4C5 <				
BPCLK1		3A5 < 10B6 <	TCLK4	10A5 < 4C1 <				
BPCLK2		3A1 < 10D5 <	TIMSU	9D3 < 9D8 <				
BPCLK3		4A6 < 10B3 <	TRING1	3C5 < 5C8 <				
BPCLK4		4A1 < 10A5 <	TRING2	3C1 < 6C8 <				
BTS		12C1 < 2B3 <	TRING3	4C5 < 7C8 <				
CCLK		11B7 < 11A6 < 11C1 <	TRING4	4C1 < 8C8 <				
CFG_DIN		11A4 < 11C7 < 12B1 <	TSER1	10C6 < 3B5 <				
CLK1544_T		9B2 < 12C5 <	TSER2	10D5 < 3B1 <				
CLK163B4_T		9C4 < 12D3 <	TSER3	10C3 < 4B5 <				
CPU_RESET		9B5 < 12B1 < 11C1 <	TSER4	10A5 < 4B1 <				
B		CS1	12B1 < 2B8 <	TSSYNC1	10B6 < 3B5 <			
	CS_T	9B8 < 12C1 <	TSSYNC2	10C3 < 3B1 <				
	DONE	11B7 < 11A6 < 11C1 <	TSSYNC3	10B3 < 4B5 <				
	D_AD0	2C3 < 9B6 < 12D3 <	TSSYNC4	10A4 < 4B1 <				
	D_AD1	2B3 < 9B6 < 12D3 <	TSTRST	2B8 < 12B7 <				
	D_AD2	2B3 < 9B6 < 12D3 <	TSYNC1	3B5 < 10B6 <				
	D_AD3	2B3 < 9B6 < 12D3 <	TSYNC2	3B1 < 10D4 <				
	D_AD4	2B3 < 9B6 < 12D3 <	TSYNC3	4B6 < 10B3 <				
	D_AD5	2B3 < 9B6 < 12D3 <	TSYNC4	4B1 < 10A4 <				
	D_AD6	2B3 < 9B6 < 12D4 <	TSYSCLK1	10B6 < 3B5 <				
	D_AD7	2B3 < 9B6 < 12D4 <	TSYSCLK2	10D4 < 3B1 <				
	ESIBR0	2B3 < 12C7 <	TSYSCLK3	10B3 < 4B5 <				
	ESIBR1	2A3 < 12C7 <	TSYSCLK4	10A5 < 4A1 <				
	ESIBRD	2B3 < 12C7 <	TTIP1	3C5 < 5C8 <				
	A	INT	2C8 < 9B8 < 12B5 < 12D7 <	TTIP2	3C1 < 6C8 <			
INT_IND		12B6 < 12D3 <	TTIP3	4C5 < 7C8 <				
JTCLK		11A8 < 11B7 < 2C8 < 11C1 <	TTIP4	4C1 < 8C8 <				
JTD1_CON25CT		11A7 < 2C8 <	WE_T	9B6 < 12C1 <				
JTD0_SPART2CON		11A7 < 11C1 <	WR_RW	12C1 < 2B8 <				
JTD_PROM2SPART		11A6 < 11B5 < 11D1 <	XRST	11A6 < 11B7 < 11C2 <				
JTD_SCT2PROM		11B7 < 2C8 < 11A6 <	X_INIT	11A6 < 11B7 < 12A3 <				
JTMS		11A8 < 11B7 < 2C8 < 11D1 <						
JTRST		2D8 < 12C7 <						
LIUC		2C8 < 12D7 <						
MCLK1		12D3 < 2C8 <						
MCLK2		12D3 < 2C8 <						
MUX		12C1 < 2B3 <						
PCH_RSYNC		9C8 < 10A4 <						
PCH_RXCLK		9C8 < 10B3 <						
PCH_RXD	9C8 < 10B6 <							
PCH_TSYNC	9C8 < 10A4 <							
PCH_TXCLK	9C8 < 10B3 <							
PCH_TXD	9C8 < 10B6 <							
RCLK1	3C8 < 10C6 <							
RCLK2	3C4 < 10D5 <							
RCLK3	4C8 < 10C3 <							
RCLK4	4C4 < 10A5 <							
RD_D5	12C1 < 2B8 <							
RL0S1	3A8 < 12A6 <							
RL0S2	3A4 < 12A6 <							
RL0S3	4A8 < 12A6 <							
RL0S4	4A4 < 12A6 <							
RRING1	3C8 < 5B8 <							
RRING2	3C4 < 5B8 <							
RRING3	4C8 < 7B8 <							
RRING4	4C4 < 8B8 <							
RSER1	3B8 < 10C6 <							
RSER2	3B4 < 10D5 <							
				TITLE:		DATE:		
				ENGINEER:		PAGE:		
	8	7	6	5	4	3	2	1

*** Part Cross-Reference for the entire design ***

C1	CAP	8B5
C2	CAP	8C5
C3	CAP	7C5
C4	CAP	7B5
C5	CAP	6B5
C6	CAP	5B5
C7	CAP	5C5
C8	CAP	6C5
C9	CAP	13B7
C10	CAP	13B5
C11	CAP	8A6
C12	CAP	13B4
C13	CAP	6A6
C14	CAP	5A6
C15	CAP	7A6
C16	CAP	5D6
C17	CAP	7D6
C18	CAP	13B7
C19	CAP	6C5
C20	CAP	8C5
C21	CAP	13C4
C22	CAP	13B5
C23	CAP	13B2
C24	CAP	13B2
C25	CAP	13B6
C26	CAP	13B1
C27	CAP	13B4
C28	CAP	13B2
C29	CAP	13B3
C30	CAP	13B5
C31	CAP	13B7
C32	CAP	13B3
C33	CAP	13B2
C34	CAP	13D3
C35	CAP	13B1
C36	CAP	13D2
C37	CAP	13D3
C38	CAP	13B3
C39	CAP	13B4
C40	CAP	13B6
C41	CAP	13B2
C42	CAP	13B2
C43	CAP	13B8
C44	CAP	13B8
C45	CAP	13B8
CH1	CHOKE_QUADPORT_T1	5B4 5C4 6B4 6C4 7B4 7C4 8B4 8C4
DS1	LED	12B6
DS2	LED	12A6
DS3	LED	12A6
DS4	LED	12A6
DS5	LED	12B6
DS6	LED	12B2
F1	FUSE	8B4
F2	FUSE	8B4
F3	FUSE	7B4
F4	FUSE	7B4
F5	FUSE	6B3
F6	FUSE	6B3
F7	FUSE	5B4
F8	FUSE	5B4
F9	FUSE	8D4
F10	FUSE	8C4
F11	FUSE	7D4
F12	FUSE	7C4
F13	FUSE	6D3
F14	FUSE	6C3
F15	FUSE	5D4
F16	FUSE	5C4
J1	CONN_10P	11B8
J2	CONN_BNC_SPIN	8B2
J3	CONN_BNC_SPIN	7B2
J4	CONN_BNC_SPIN	6B2
J5	CONN_BNC_SPIN	5B2
J6	CONN_BNC_SPIN	8D2

J7	CONN_BNC_SPIN	7D2
J8	CONN_BNC_SPIN	6D2
J9	CONN_BNC_SPIN	5D2
J10	RJ45_8	5C3 6C3 7C3 8C3
J11	CONN_50P2	9D7
J12	CONN_50P2	9D3
J13	CONN_12P	9D6
J14	XILINX_XCF01S	11C6
PR11	SWITCH_DPDT_SLIDE_6P	5C1
PR12	SWITCH_DPDT_SLIDE_6P	6C1
PR13	SWITCH_DPDT_SLIDE_6P	7C1
PR14	SWITCH_DPDT_SLIDE_6P	8C1
R1	RES1	12D6
R2	RES1	12B6
R3	RES	12C6
R4	RES1	12D6
R5	RES	8B7
R6	RES	8B7
R7	RES	8B7
R8	RES	8B7
R9	RES	8C7
R10	RES	8D7
R11	RES	6C7
R12	RES	6D7
R13	RES1	11C2
R14	RES	7C7
R15	RES	7D7
R16	RES	7B7
R17	RES	7B7
R18	RES	5B7
R19	RES	5B7
R20	RES	5C7
R21	RES	5D7
R22	RES	7B2
R23	RES	5B2
R24	RES	6B2
R25	RES	8B2
R26	RES	11A6
R27	RES1	11A7
R29	RES1	6A6
R30	RES1	5A6
R31	RES1	5A6
R32	RES1	7A6
R33	RES1	7A6
R34	RES1	6A6
R35	RES1	8A6
R36	RES1	8A6
R39	RES	12C6
R40	RES1	12A7
R41	RES	12C6
R42	RES1	12A7
R43	RES1	12A7
R44	RES1	12A7
R45	RES	12C6
R46	RES1	12B7
R47	RES1	11A7
R48	RES	2C7
R49	RES1	12B2
T1	XFMR_QUADPORT_T1	5B5 5C5 6B5 6C5 7B5 7C5 8B5 8C5
TP1	TSTPNT_SNG	13B3
TP4	TESTPOINT	12A3
TP5	TESTPOINT	12A3
TP6	TESTPOINT	12A3
TP7	TESTPOINT	12A3
TP8	TESTPOINT	12A3
TP9	TESTPOINT	12A3
TP24	TSTPNT_SNG	13B4
TP25	TSTPNT_SNG	13B4
TP26	TSTPNT_SNG	13B4
U1	XC2550_U	10C5 11C3 12C3
U2	DS2145B_U	2C5 3C3 3C7 4C3 4C7
U3	XC18V02V044C_U	11A6
U4	MAX1792	13D4
Z1	SIDACTOR_2	6B6
Z2	SIDACTOR_2	6B6
Z3	SIDACTOR_2	8C6

Z4	SIDACTOR_2	6C6
Z5	SIDACTOR_2	7B6
Z6	SIDACTOR_2	7C6
Z7	SIDACTOR_2	5B6
Z8	SIDACTOR_2	5C6
Z9	SIDACTOR_2	8B4
Z10	SIDACTOR_2	8C4
Z11	SIDACTOR_2	7C4
Z12	SIDACTOR_2	7B4
Z13	SIDACTOR_2	6C4
Z14	SIDACTOR_2	6B4
Z15	SIDACTOR_2	5C4
Z16	SIDACTOR_2	5B4
Z17	SIDACTOR_2	8A4
Z18	SIDACTOR_2	6A4
Z19	SIDACTOR_2	7A4
Z20	SIDACTOR_2	5A4
Z21	SIDACTOR_2	8A4
Z22	SIDACTOR_2	6A4
Z23	SIDACTOR_2	7A4
Z24	SIDACTOR_2	5A4
Z25	SIDACTOR_2	7C4
Z26	SIDACTOR_2	6C4
Z27	SIDACTOR_2	5C4
Z28	SIDACTOR_2	8C4
Z29	SIDACTOR_2	5C4
Z30	SIDACTOR_2	6C4
Z31	SIDACTOR_2	7C4
Z32	SIDACTOR_2	8C4

TITLE:	DATE:
ENGINEER:	PAGE: