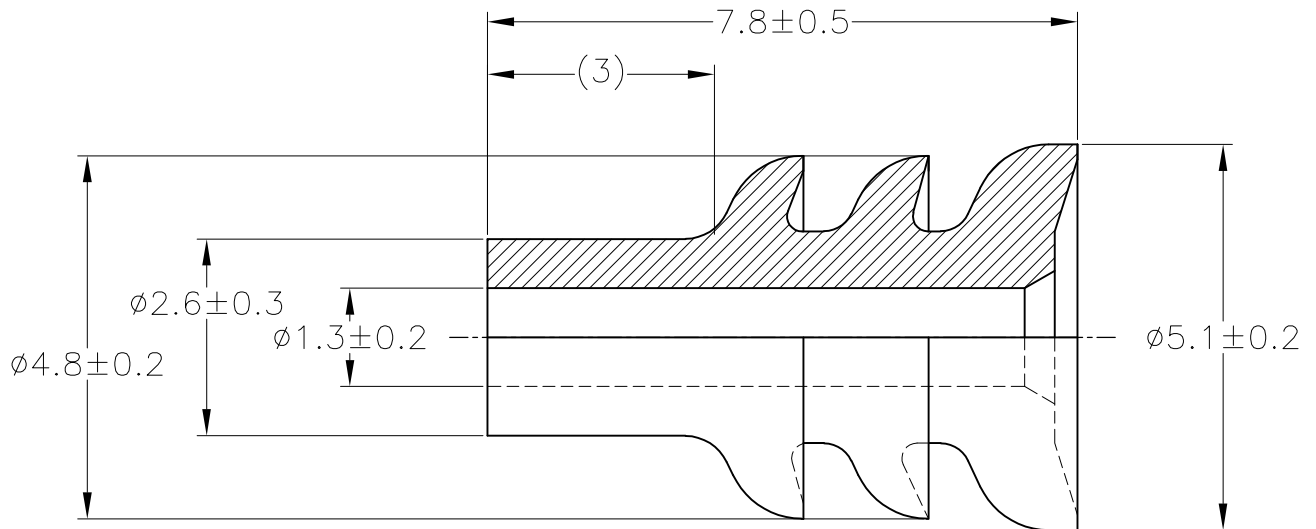


| | | | | | | | |
|-----|------|-----------|-----|-------------|---------|-----|------|
| LOC | DIST | REVISIONS | | | | | |
| J | — | P | LTR | DESCRIPTION | DATE | DWN | APVD |
| | | | A | RELEASED | 06AUG14 | DM | TK |



- ① オイル塗布タイプ
- ② 推奨工程：自動機械
- ③ 推奨工程：手動
- ④ 材料；NBRフタル酸フリー

- ① OIL COATED TYPE
- ② RECOMMENDED PROCESS : AUTOMATIC MACHINE
- ③ RECOMMENDED PROCESS : MANUAL
- ④ MATERIAL ; NBR NON-BIS TYPE

THIS DRAWING IS UNPUBLISHED.

ALL RIGHTS RESERVED.

COPYRIGHT - By Tyco Electronics Japan C.K.

| | |
|---|-----------------|
| WIRE RANGE | INSULATION DIA. |
| 0.2~0.5 (AV, AVS) mm ² (AWG#24-#20) | φ1.4~φ2.4 mm |

| | | | |
|---|----------|-------|-------------|
| ② | NBR ④ | BLACK | 2822352-2 |
| ③ | NBR ①④ | BLACK | 2822352-1 |
| | MATERIAL | COLOR | PART NUMBER |

| | | | | | | | |
|--|-------------------|--------------|---------------------------|----------------------|-----------|-------|------------|
| DIMENSIONS: mm | DWN D.MATSUURA | 06AUG2014 | MATERIAL | SEE TABLE | FINISH | — | |
| | CHK S.IWATANI | 06AUG2014 | TE TE Connectivity | | | | |
| TOLERANCES UNLESS OTHERWISE SPECIFIED: | APVD T.KOHNO | 06AUG2014 | | | | | |
| | 0 PLC ± - | PRODUCT SPEC | NAME | 070 TYPE RUBBER PLUG | | | |
| 1 PLC ± - | 108-5262 | SIZE | CAGE CODE | | | | DRAWING NO |
| 2 PLC ± - | APPLICATION SPEC | — | A4 | 00779 | ③-2822352 | — | |
| 3 PLC ± - | WEIGHT | 0.1 g | CUSTOMER DRAWING | | | SCALE | 10:1 |
| 4 PLC ± - | | | SHEET | | 1 OF 1 | REV | A |
| ANGLES ± - | | | | | | | |