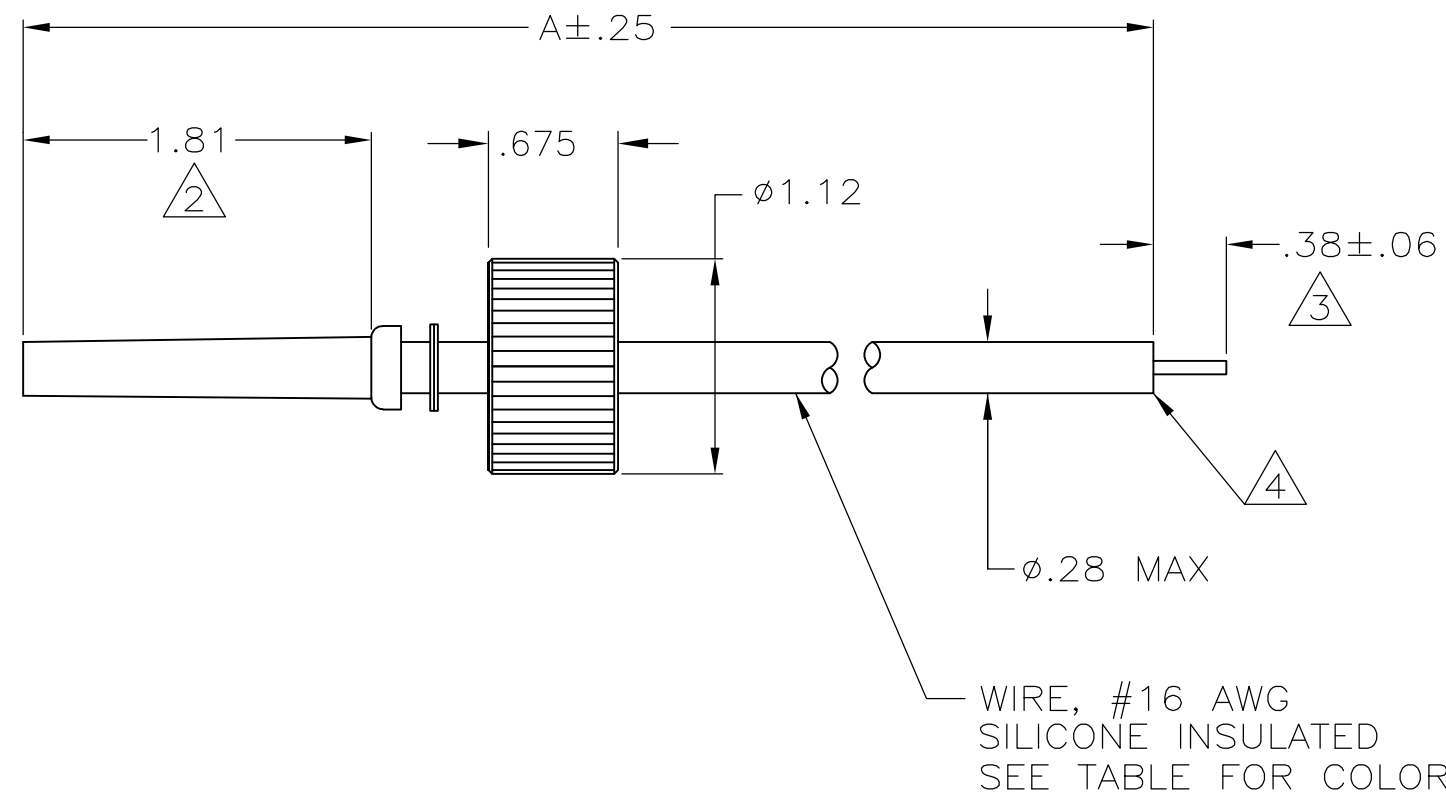


THIS DRAWING IS UNPUBLISHED. RELEASED FOR PUBLICATION - .N/A .
 © COPYRIGHT N/A By - ALL RIGHTS RESERVED.


LOC	DIST	REVISIONS			
P	LTR	DESCRIPTION	DATE	DWN	APVD
	D	ECO-13-005473	4-17-13	CT	DE

- 1. MARKED PER MIL-STD-130.
- 2 TO MATE WITH AMP LGH-3 RECEPTACLE WITH 1.81 BARREL DEPTH.
- 3 PIGTAIL IS SOLDER DIPPED.
- 4 INSULATION CUT, BUT NOT REMOVED.



4	36.00	GREEN	6-869084-3
4	36.00	WHITE WITH YELLOW STRIPE	6-869084-2
4	24.00	WHITE	5-869084-9
4	24.00	GREEN	5-869084-8
4	24.00	WHITE WITH YELLOW STRIPE	5-869084-7
4	24.00	BROWN	5-869084-6
4	18.00	WHITE WITH YELLOW STRIPE	5-869084-3
3	36.00	GREEN	1-869084-3
3	36.00	WHITE WITH YELLOW STRIPE	1-869084-2
3	48.00	RED	1-869084-1
3	36.00	BROWN	1-869084-0
3	24.00	WHITE	869084-9
3	24.00	GREEN	869084-8
3	24.00	WHITE WITH YELLOW STRIPE	869084-7
3	24.00	BROWN	869084-6
3	18.00	WHITE	869084-5
3	18.00	GREEN	869084-4
3	18.00	WHITE WITH YELLOW STRIPE	869084-3
3	18.00	RED	869084-2
3	18.00	BROWN	869084-1
REMARKS	A DIM	WIRE COLOR	PART NO

THIS DRAWING IS A CONTROLLED DOCUMENT.

DWN R.HEPNER 01-MAR-87	 TE Connectivity LEAD ASSY SINGLE END LGH-3				
CHK M.GARDNER 01-MAR-87					
APVD M.GARDNER 01-MAR-87					
PRODUCT SPEC					
MATERIAL	FINISH	NAME	RESTRICTED TO		
		SIZE	CAGE CODE	DRAWING NO	
		—	A300779	C-869084	—
		WEIGHT	CUSTOMER DRAWING		SCALE 1:1 SHEET 1 OF 1 REV D