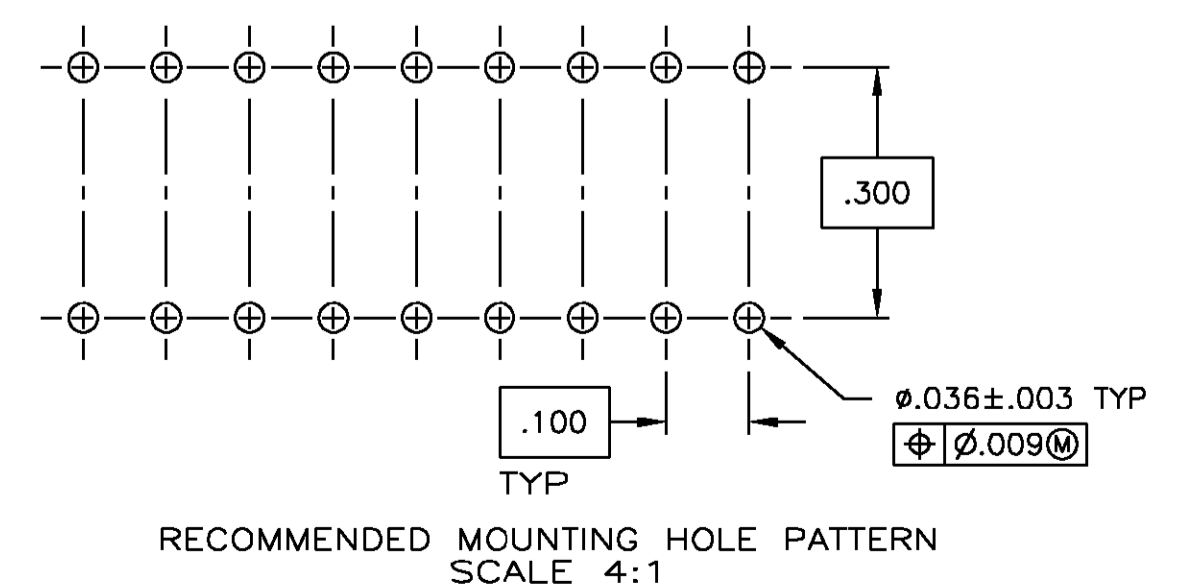
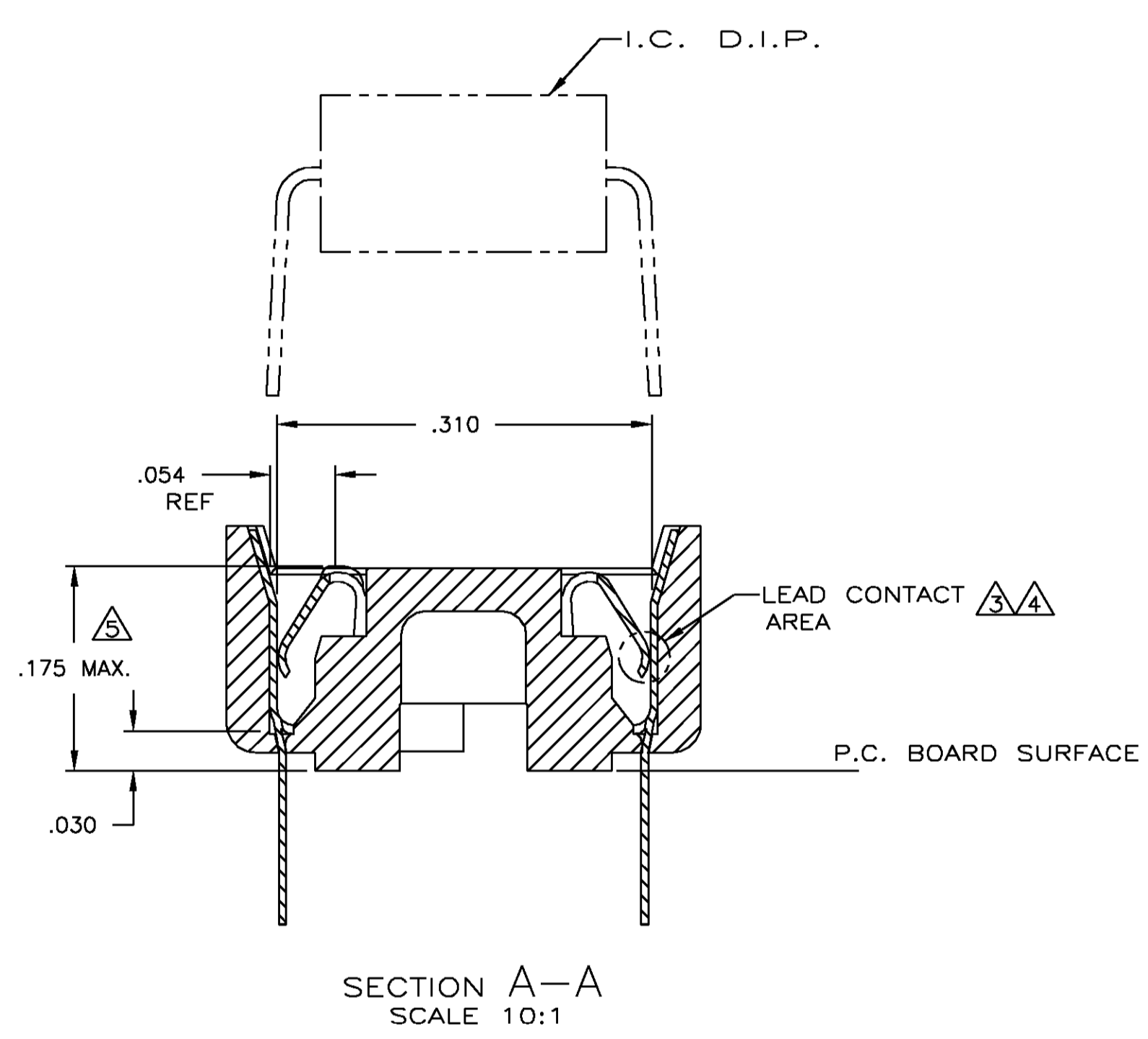
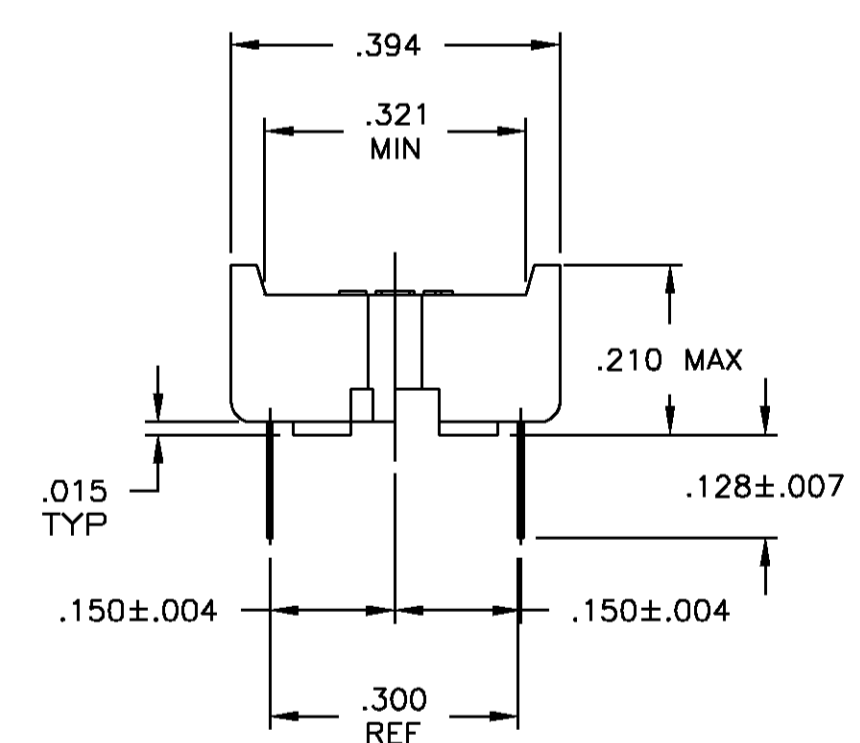
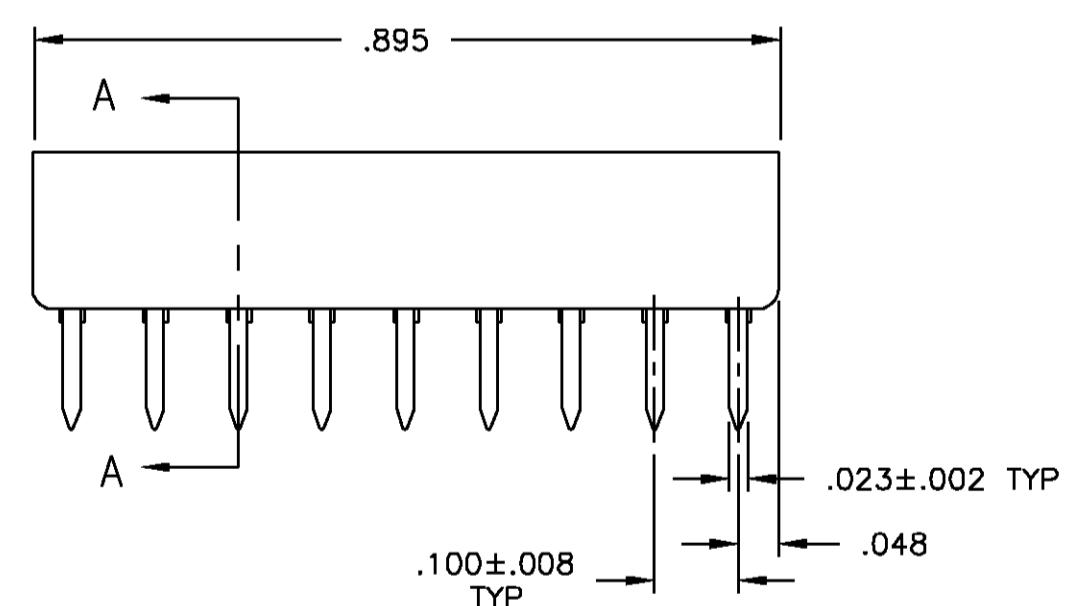
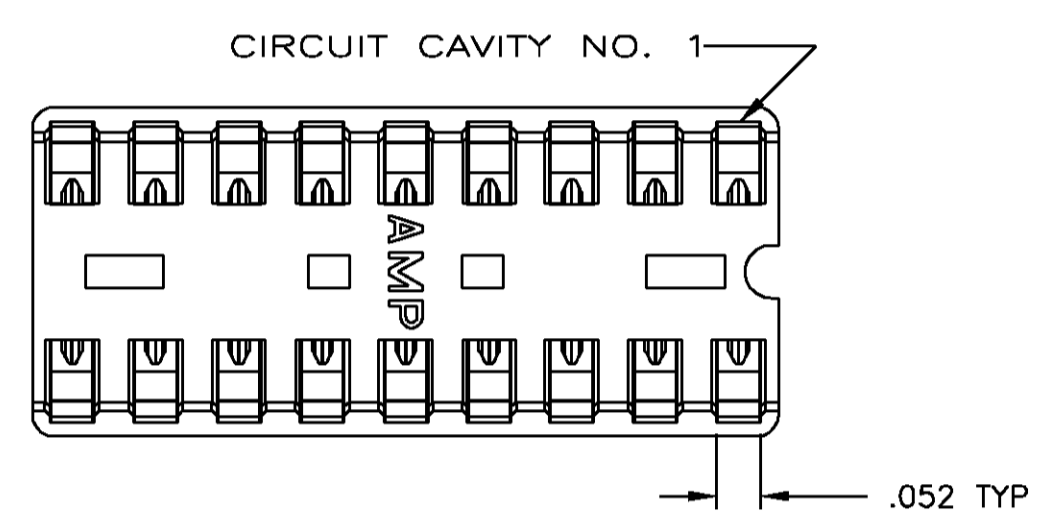


1. RECEPTACLE ACCEPTS A .008-.014 THICK I.C. LEAD.
2. TUBE LOADED FOR AUTOMATIC INSERTION.
3. TWO .000030 MIN THK. GOLD STRIPES IN CONTACT AREA WITH TIN-LEAD (93/7) ON CONTACT LEGS, BALANCE OF CONTACT NICKEL PLATED.
4. TWO .000015 MIN THK. GOLD STRIPES IN CONTACT AREA WITH TIN-LEAD (93/7) ON CONTACT LEGS, BALANCE OF CONTACT NICKEL PLATED.
5. MAXIMUM DIMENSION FOR I.C. SEATING PLANE.



SUPSD BY 390261-5	PHOS.BRZ. .006 THK	GLASS-FILLED THERMOPLASTIC, 94V-0, BLACK	2-640359-4
OBSOLETE	TINNED	PHOS.BRZ. .006 THK	GLASS-FILLED THERMOPLASTIC, 94V-0, BLACK
SUPSD BY 390261-5	TINNED	BE.CU. .006 THK	GLASS-FILLED THERMOPLASTIC, 94V-0, BLACK
	TINNED	BE.CU. .006 THK	GLASS-FILLED THERMOPLASTIC, 94V-0, BLACK

CONTACT FINISH		CONTACT MAT'L		HOUSING MATERIAL		PART NO.	
TINNED		PHOS.BRZ. .006 THK		GLASS-FILLED THERMOPLASTIC, 94V-0, BLACK		2-640359-4	
TINNED		BE.CU. .006 THK		GLASS-FILLED THERMOPLASTIC, 94V-0, BLACK		2-640359-2	
TINNED		BE.CU. .006 THK		GLASS-FILLED THERMOPLASTIC, 94V-0, BLACK		2-640359-1	

DIMENSIONS:		TOLERANCES UNLESS OTHERWISE SPECIFIED:		DATE		NAME	
INCHES		AS SHOWN		20 FEB 87		R MILLER	
0 PL ± .005		0 PL ± .005		20 FEB 87		J LAMBERT	
1 PL ± .005		1 PL ± .005				PRODUCT SPEC	
2 PL ± .005		2 PL ± .005				108-1066	
3 PL ± .005		3 PL ± .005				APPLICATION SPEC	
4 PL ± .005		4 PL ± .005				114-1049	
ANGLES ± .005		ANGLES ± .005				SIZE	
MATERIAL SEE TABLE		FINISH SEE TABLE		WEIGHT		A1 00779	
				CUSTOMER DRAWING		SCALE 5:1 SHEET 1 OF 1 REV AA	