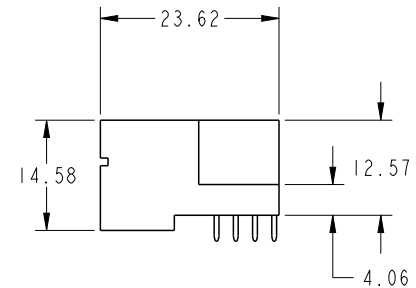
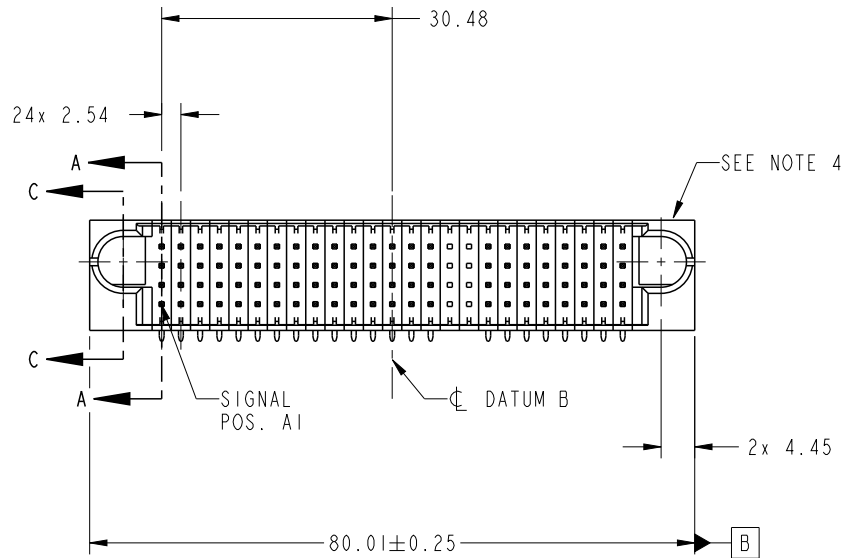


PRODUCT NO.	ROWS	SIGNAL																										
		E1	1	2	3	4	5	6	7	8	9	10	11	12	13	14	15	16	17	18	19	20	21	22	23	24	25	E2
51730-223-- NOTE 3	D C B A	U	U	U	U	U	U	U	U	U	U	U	U	U	U	U	U	X	X	U	U	U	U	U	U	U	U	
		T	T	T	T	T	T	T	T	T	T	T	T	T	T	T	T	X	X	T	T	T	T	T	T	T	T	T
		S	S	S	S	S	S	S	S	S	S	S	S	S	S	S	S	X	X	S	S	S	S	S	S	S	S	S
		R	R	R	R	R	R	R	R	R	R	R	R	R	R	R	R	R	X	X	R	R	R	R	R	R	R	R

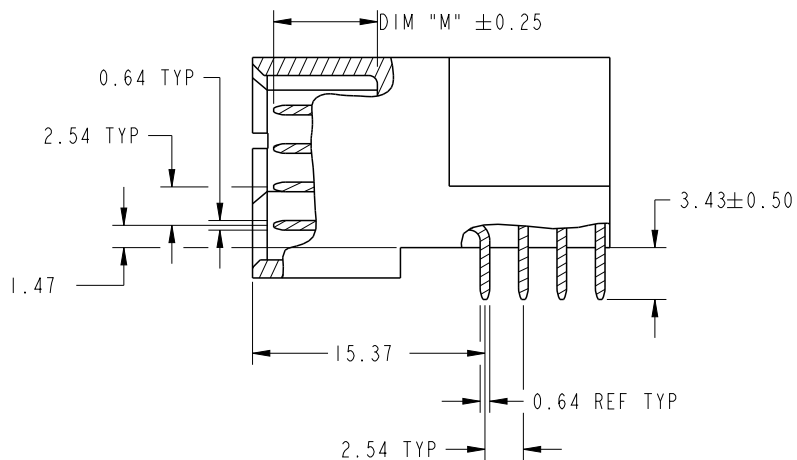


CODE	DIM "M" MATING LENGTH	CONTACT TYPE
U	[6.86]	SIGNAL
T	[6.86]	SIGNAL
S	[6.86]	SIGNAL
R	[6.86]	SIGNAL
X	[N/A]	OMITTED

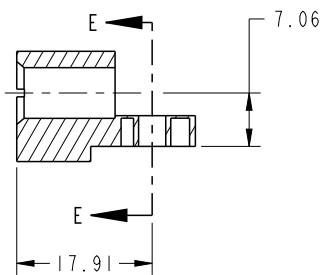
spec ref	*	dr	Ruan MT	2014/02/26	projection	MM	size	A4	scale	1:1
tolerance std	ASME Y14.5	eng	Ruan MT	2014/04/13		←→	ecn no	-	rel level	Released
TOLERANCES UNLESS OTHERWISE SPECIFIED		chr	-	-						
surface	✓	appr	Pei-Ming Zheng	2014/04/13	product family	PwrBlade				
ASME Y14.5	linear	0.X	±0.5		title	100S	dwg no	51730-223	rev	A
		0.XX	±0.25							
		0.XXX	±0.1							
	angular	0°	±2°	www.fci.com	cat. no.	-	Product - Customer Drw	sheet 1 of 4		

PRODUCT NUMBER

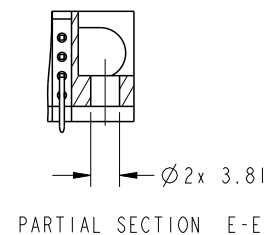
51730-223--
NOTE: 3



BROKEN-OUT SECTION A-A
SCALE 2:1



SECTION C-C

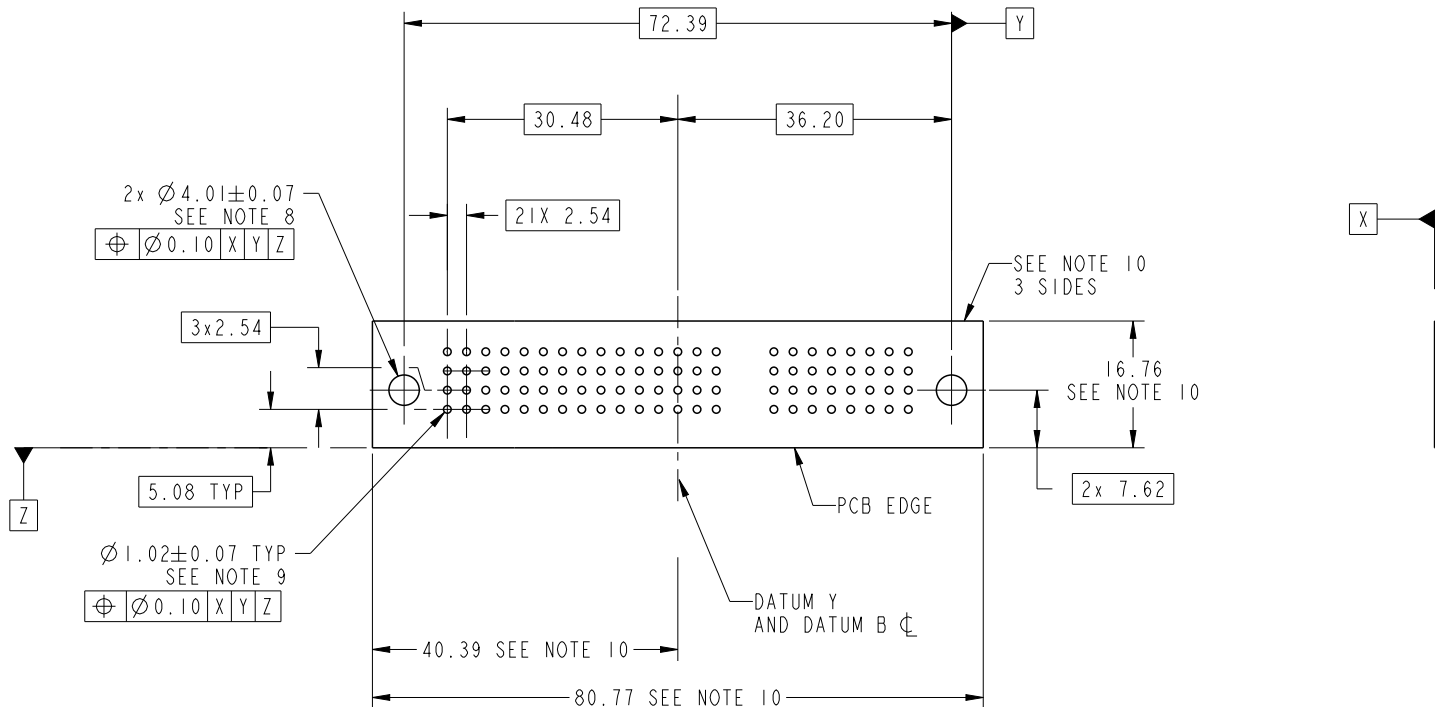


PARTIAL SECTION E-E

dr	Ruan MT	2014/02/26	projection 	MM ←→	size	A4	scale	1:1
eng	Ruan MT	2014/04/13			ecn no	-		
chr	-	-						
appr	Pei-Ming Zheng	2014/04/13	product family	PwrBlade	rel level	Released		
	title	100S RIGHT ANGLE XXX HEADER		dwg no	51730-223		rev	A
www.fci.com	cat. no.	-	Product - Customer Drw			sheet 2 of 4		

PRODUCT NUMBER

51730-223__
NOTE: 3



RECOMMENDED PCB LAYOUT

dr	Ruan MT	2014/02/26	projection 	MM 	size	A4	scale	1:1
eng	Ruan MT	2014/04/13			ecn no	-		
chr	-	-			rel level	Released		
appr	Pei-Ming Zheng	2014/04/13	product family	PwrBlade				
	title	100S RIGHT ANGLE XXX HEADER		dwg no	51730-223		rev	A
www.fci.com	cat. no.	-	Product - Customer Drw		sheet 3 of 4			

PRODUCT NUMBER

51730-223__
NOTE: 3

NOTES:

1. DIMENSIONS AND TOLERANCES ARE IN ACCORDANCE WITH ASME Y14.5M, 1994 UNLESS OTHERWISE SPECIFIED.

CONNECTOR NOTES:

- 2. HOUSING MATERIAL: UL 94 V-0 GLASS FILLED HIGH-TEMP THERMOPLASTIC
POWER CONTACT MATERIAL: COPPER ALLOY
SIGNAL PIN MATERIAL: COPPER ALLOY
- 3. SEE ITEM 1 & 2 IN PRINT 10064183 FOR PLATING SPEC OF 51730-223 AND 51730-223LF RESPECTIVELY.
- 4. MANUFACTURER'S NAME, DATE CODE AND OPTIONAL P/N TO APPEAR ON THIS SURFACE. THE MARK CAN BE OMITTED IF THERE IS NOT ENOUGH SPACE ON THIS SURFACE.
- 5. PRODUCT SPECIFICATION GS-12-149.
APPLICATION SPECIFICATION BUS-20-067.
- 6. PACKAGED IN TRAYS.

PCB NOTES:

- 7. ALL HOLE DIAMETERS ARE FINISHED HOLE SIZE.
- 8. MOUNTING HOLES, WHERE APPLICABLE, ARE UNPLATED.
- 9. $\varnothing 1.151 \pm 0.025$ DRILLED HOLES PLATED WITH
0.008 MIN SnPb OR Sn OVER 0.03
TO 0.08 Cu PLATING TO ACHIEVE
 $\varnothing 1.02 \pm 0.07$ HOLE.
- 10. CONNECTOR KEEP-OUT ZONE.



Copyright FCI.

dr	Ruan MT	2014/02/26	projection 	MM 	size	A4	scale	1:1		
eng	Ruan MT	2014/04/13			ecn no	-				
chr	-	-			product family	PwrBlade	rel level	Released		
appr	Pei-Ming Zheng	2014/04/13			title	100S RIGHT ANGLE XXX HEADER	dwg no	51730-223	rev	A
www.fci.com		cat. no.	-	Product - Customer Drw			sheet 4 of 4			