

## Cable feed-through plates - MH-10CL-MULTI-55-PV-BK - 1424584

Please be informed that the data shown in this PDF Document is generated from our Online Catalog. Please find the complete data in the user's documentation. Our General Terms of Use for Downloads are valid (<http://phoenixcontact.com/download>)




Cable feed-through plates, no. of conductors: 10, length: 154 mm, width: 56 mm, height: 20 mm, external cable diameter: 6x 2 mm ... 8 mm , color: black

### Why buy this product

- The panel cutouts of size B24 heavy-duty connectors can be used.



### Key Commercial Data

|              |   |
|--------------|---|
| Packing unit | 1 STK   |
| GTIN         | <br>4 055626 374871 |
| GTIN         | 4055626374871   |

### Technical data

#### Dimensions

|                                 |                   |
|---------------------------------|-------------------|
| Length                          | 154 mm            |
| Width                           | 56 mm             |
| Height                          | 20 mm             |
| Drill hole distance, horizontal | 130 mm            |
| Drill hole distance, vertical   | 32 mm             |
| External cable diameter         | 6x 2 mm ... 8 mm  |
|                                 | 2x 2 mm ... 18 mm |
|                                 | 2x 2 mm ... 30 mm |

#### Ambient conditions

|                                 |                  |
|---------------------------------|------------------|
| Degree of protection            | IP54             |
| Ambient temperature (operation) | -40 °C ... 90 °C |

#### General

|                   |          |
|-------------------|----------|
| No. of conductors | 10       |
| Material          | TPE-SEBS |

# Cable feed-through plates - MH-10CL-MULTI-55-PV-BK - 1424584

## Technical data

### General

|  |  |
|--|--|
|  | PP (Core)  |
|  | TPE-SEBS (external material)   |
| Flammability rating according to UL 94 | V0   |
| Color                                  | black  |
| Note                                   | incl. mounting screws  |
| Installation instructions              | M4 mounting screw, torque: 1.8 Nm, SW5 Allen key   |
|  | <p>The mounting screws provided are to be used for assembly.</p> <p>Assembly sequence:</p> <ol style="list-style-type: none"> <li>1) Attach the cable feed-through (Multigate) using the mounting screws provided (observe torque)</li> <li>2) Pierce a hole in the membrane (using a screwdriver)</li> <li>3) Guide the cable through the opening (from the outside)</li> </ol> |

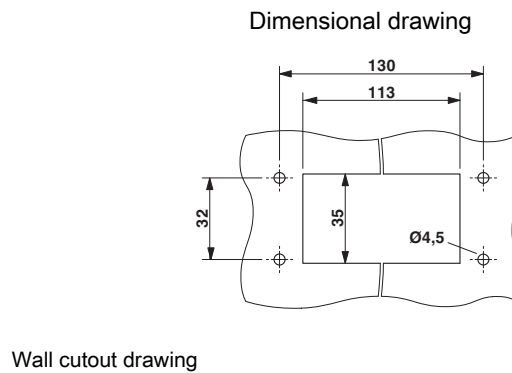
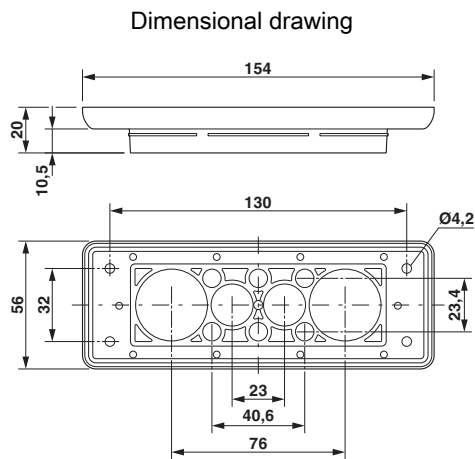
### Standards and Regulations

|  |    |
|--|----|
| Flammability rating according to UL 94 | V0 |
|--|----|

### Environmental Product Compliance

|            |   |
|------------|---|
| China RoHS | Environmentally friendly use period: unlimited = EFUP-e |
|            | No hazardous substances above threshold values          |

## Drawings



Dimensional drawing

## Approvals

Approvals

Approvals

EAC

## Cable feed-through plates - MH-10CL-MULTI-55-PV-BK - 1424584

### Approvals

Ex Approvals

---

#### Approval details

|     |   |               |
|-----|---|---------------|
| EAC |  | EAC-Zulassung |
|-----|---|---------------|

---

Phoenix Contact 2018 © - all rights reserved  
<http://www.phoenixcontact.com>

PHOENIX CONTACT GmbH & Co. KG  
Flachmarktstr. 8  
32825 Blomberg  
Germany  
Tel. +49 5235 300  
Fax +49 5235 3 41200  
<http://www.phoenixcontact.com>