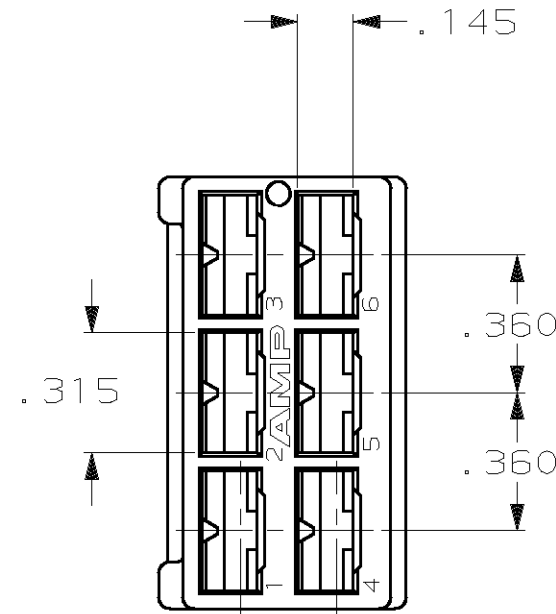
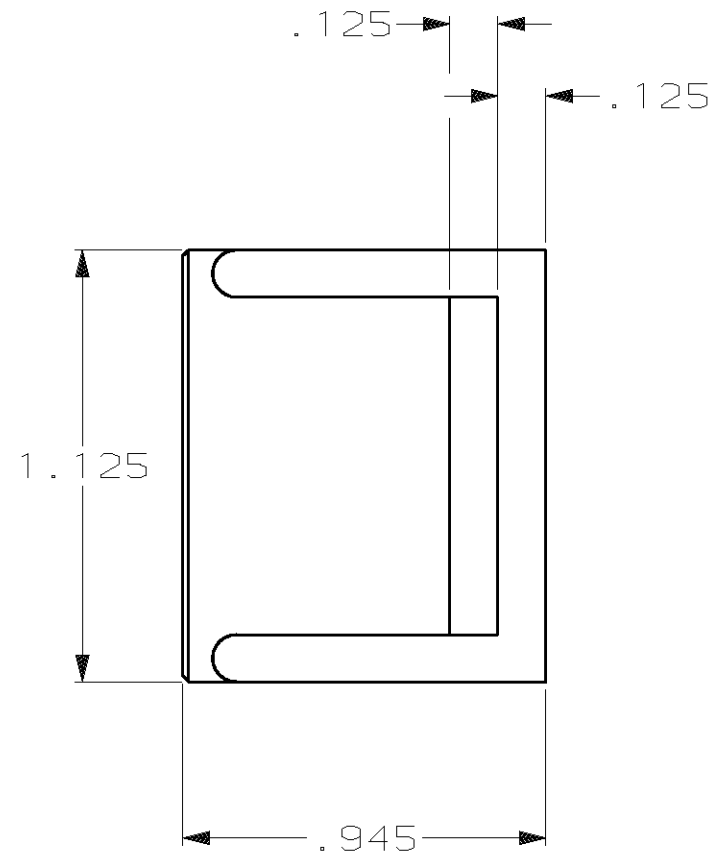
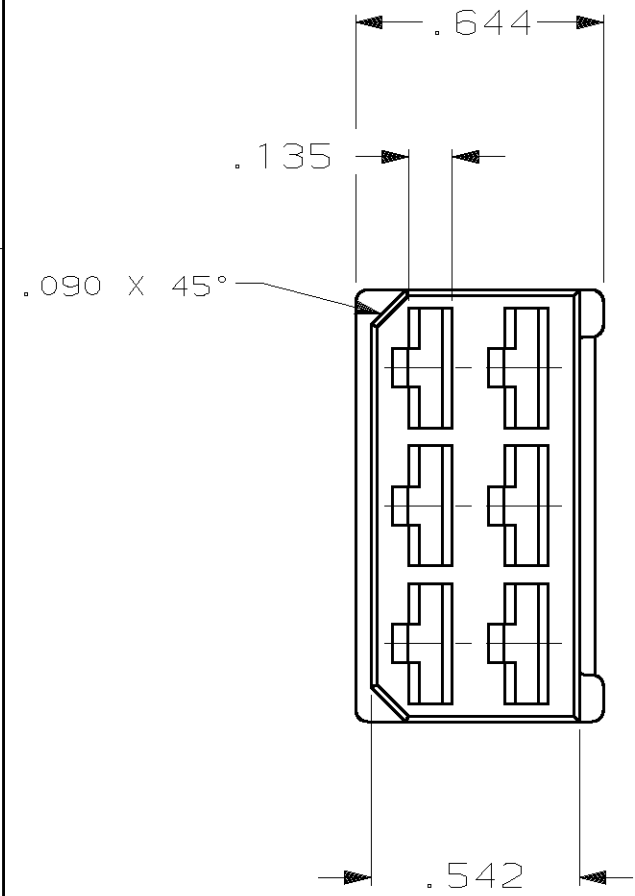


THIS DRAWING IS UNPUBLISHED. RELEASED FOR PUBLICATION ,19 .  
 © COPYRIGHT 19 BY AMP INCORPORATED. ALL INTERNATIONAL RIGHTS RESERVED.

LOC AF	DIST 50	P	F	REVISIONS			DATE	APPD
				ZONE	LTR	DESCRIPTION		
					AB	REV PER 0G1A-0176-99	16JUN99	JR/PD



1 FOR MOUNTING DIMENSIONS REFER TO CP-15708.

	BLACK	NYLON-V2	1-480281-0
	COLOR	MATERIAL	PART NO
DO NOT SCALE PRINT. UNLESS SPECIFIED DIMENSIONS ARE IN INCHES. TOLERANCES ON: 2 PLC DEC ± - 3 PLC DEC ± .015 ANGLES ± -	DR 2/5/91 JR RUTH CHK 2/5/91 P FORTNEY APPD 2/5/91 C MEYERS APPD 2/5/91 D REINER	<b>AMP</b> AMP Incorporated Harrisburg, PA 17105-3608	
MATERIAL SEE TABLE	PRODUCT SPEC -	NAME HOUSING, RECEPTACLE, FASTIN-FASTON, .250 SERIES	
FINISH SEE TABLE	APPLICATION SPEC -	SIZE B	CAGE CODE 00779
	WEIGHT -	DRAWING NO 480281	SCALE 2:1
		SHEET 1 OF 1	