

ULTRX™, TYPE 4X

INDUSTRY STANDARDS

Mounting brackets required to meet UL/CSA external mounting requirements.

UL 508A Listed; Type 3, 3R, 4, 4X, 12, 13; File No. E61997
 cUL Listed per CSA C22.2 No 94; Type 3, 3R, 4, 4X, 12, 13; File No. E619977
 Enclosure flammability evaluated per UL 508A
 Window flammability evaluated per UL 508A

NEMA/EMAC Type 3, 3R, 4, 4X, 12, 13
 CSA File No. 42186: Type 3, 3R, 4, 4X, 12, 13
 IEC 60529, IP66
 Meets NEMA Type 3RX requirements

APPLICATION

Providing outstanding protection against corrosion and the elements, the clean lines and molded, embossed design of ULTRX™ fiberglass enclosures make them the most stylish and aesthetically pleasing of their class. These enclosures feature hidden hinges, a padlocking capability for security, and flexible internal mounting options.

SPECIFICATIONS

- Compression-molded fiberglass material has excellent temperature and chemical resistance qualities and exhibits outstanding physical properties, including high-impact resistance
- Fiberglass is easily punched, drilled, filed or sawed
- Seamless foam-in-place gasket assures water-tight and dust-tight seal
- Enclosure may be rotated 180 degrees for left and right hinging
- Molded-in drip shields are standard with each enclosure
- Impact-resistant polycarbonate window is permanently bonded in place
- Fiberglass mounting brackets and stainless steel attachment screws are provided with each enclosure
- Unique hinge design allows for standard 180 degree door opening with a maximum opening of 270 degrees
- Door hinges are replaceable
- Type 316 stainless steel quarter-turn latch. Optional keylocking or padlocking handle available.
- Molded-in DIN bosses
- Molded bosses on door provide additional mounting provisions
- Integral mounting rails provide infinite panel adjustment front to back
- Optional data pocket is high-impact thermoplastic

FINISH

Exterior surface painted light-gray acrylic enamel for enhanced UV protection. Optional steel panels are painted white. Optional stainless steel, aluminum, conductive and composite panels are unpainted.

ACCESSORIES

See also *Accessories*.
 H2OMIT™ Vent Drains, Type 4X
 H2OMIT™ Thermoelectric Dehumidifier
 HOL-SEALERS™ Non-Metallic Hole Seals
 Panels for Type 3R, 4, 4X, 12 and 13 Enclosures
 Rack Angles (Type RA)

MODIFICATION AND CUSTOMIZATION

Hoffman excels at modifying and customizing products to your specifications. Contact your local Hoffman sales office or distributor for complete information.

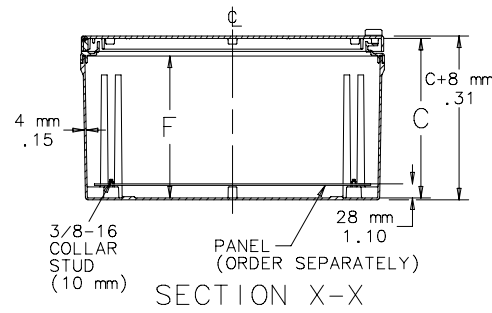
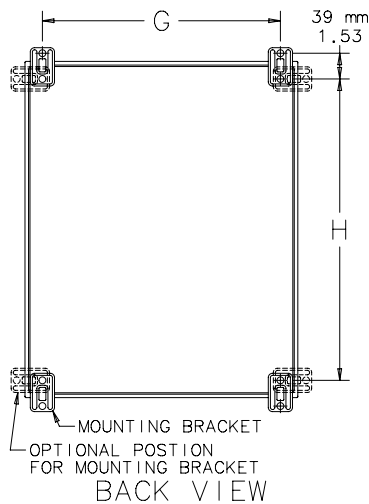
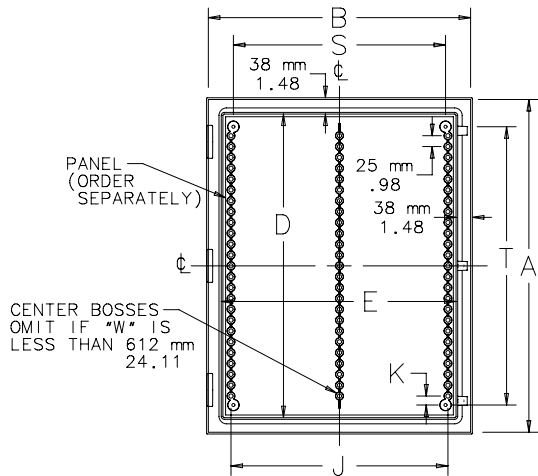
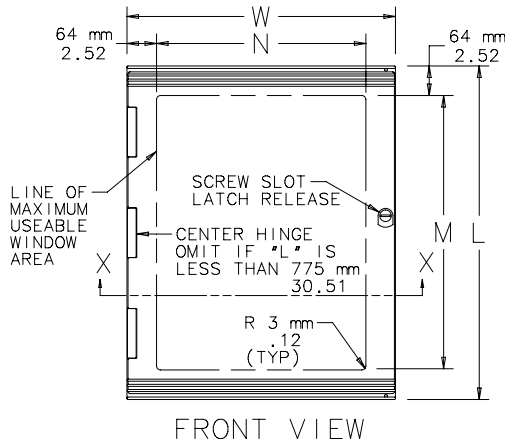
BULLETIN: UX1
Standard Product

| Catalog Number | Door Style | External Dimensions | | Internal Dimensions | | Panel | Conductive Panel | Panel Size | | Mounting | | Window Size | | | | |
|----------------|------------|---------------------|-----------------------|---------------------|--------------|---------------|------------------|---------------|----------|----------|----------|-------------|----------|--|--|--|
| | | L x W mm/in. | A x B x C mm/in. | D x E mm/in. | G x H mm/in. | | | M x N mm/in. | F mm/in. | J mm/in. | K mm/in. | S mm/in. | T mm/in. | | | |
| UU504020 | Solid | 513 x 413 | 496 x 396 x 220 | A20P16 | A20P16G | 432 x 330 | 359 x 459 | — | 186 | 297 | 19 | 286 | 387 | | | |
| | | 20.20 x 16.26 | 19.53 x 15.59 x 8.66 | | | 17.00 x 12.99 | 14.13 x 18.07 | — | 7.32 | 11.69 | 0.75 | 11.26 | 15.24 | | | |
| UU504020W | Window | 513 x 413 | 496 x 396 x 220 | A20P16 | A20P16G | 439 x 330 | 359 x 459 | 386 x 286 | 186 | 297 | 19 | 286 | 387 | | | |
| | | 20.20 x 16.26 | 19.53 x 15.59 x 8.66 | | | 17.00 x 12.99 | 14.13 x 18.07 | 15.20 x 11.26 | 7.32 | 11.69 | 0.75 | 11.26 | 15.24 | | | |
| UU606020 | Solid | 625 x 612 | 608 x 595 x 220 | A24P24 | A24P24G | 533 x 533 | 559 x 572 | — | 186 | 500 | 21 | 489 | 489 | | | |
| | | 24.61 x 24.09 | 23.94 x 23.43 x 8.66 | | | 20.98 x 20.98 | 22.01 x 22.52 | — | 7.32 | 19.68 | 0.83 | 19.25 | 19.25 | | | |
| UU606020W | Window | 625 x 612 | 608 x 595 x 220 | A24P24 | A24P24G | 533 x 533 | 559 x 572 | 498 x 486 | 186 | 500 | 21 | 489 | 489 | | | |
| | | 24.61 x 24.09 | 23.94 x 23.43 x 8.66 | | | 20.98 x 20.98 | 22.01 x 22.52 | 19.61 x 19.13 | 7.32 | 19.68 | 0.83 | 19.25 | 19.25 | | | |
| UU605025 | Solid | 625 x 513 | 608 x 496 x 270 | A24P20 | A24P20G | 533 x 432 | 457 x 570 | — | 239 | 400 | 21 | 387 | 489 | | | |
| | | 24.61 x 20.20 | 23.94 x 19.53 x 10.63 | | | 20.98 x 17.00 | 17.99 x 22.44 | — | 9.41 | 15.75 | 0.83 | 15.24 | 19.25 | | | |
| UU605025W | Window | 625 x 513 | 608 x 496 x 270 | A24P20 | A24P20G | 533 x 432 | 457 x 570 | 498 x 386 | 239 | 400 | 21 | 387 | 489 | | | |
| | | 24.61 x 20.20 | 23.94 x 19.53 x 10.63 | | | 20.98 x 17.00 | 17.99 x 22.44 | 19.61 x 15.20 | 9.41 | 15.75 | 0.83 | 15.24 | 19.25 | | | |
| UU504030 | Solid | 513 x 412 | 496 x 395 x 321 | A20P16 | A20P16G | 432 x 330 | 355 x 455 | — | 287 | 300 | 19 | 286 | 387 | | | |
| | | 20.20 x 16.22 | 19.53 x 15.55 x 12.64 | | | 17.00 x 12.99 | 13.98 x 17.91 | — | 11.30 | 11.81 | 0.75 | 11.26 | 15.24 | | | |
| UU504030W | Window | 513 x 412 | 496 x 395 x 321 | A20P16 | A20P16G | 432 x 330 | 355 x 455 | 386 x 286 | 287 | 300 | 19 | 286 | 387 | | | |
| | | 20.20 x 16.22 | 19.53 x 15.55 x 12.64 | | | 17.00 x 12.99 | 13.98 x 17.91 | 15.20 x 11.26 | 11.30 | 11.81 | 0.75 | 11.26 | 15.24 | | | |
| UU606030 | Solid | 625 x 612 | 608 x 595 x 321 | A24P24 | A24P24G | 533 x 533 | 555 x 568 | — | 287 | 500 | 21 | 489 | 489 | | | |
| | | 24.61 x 24.09 | 23.94 x 23.43 x 12.64 | | | 20.98 x 20.98 | 21.85 x 22.36 | — | 11.30 | 19.68 | 0.83 | 19.25 | 19.25 | | | |
| UU606030W | Window | 625 x 612 | 608 x 595 x 321 | A24P24 | A24P24G | 533 x 533 | 555 x 568 | 498 x 486 | 287 | 500 | 21 | 489 | 489 | | | |
| | | 24.61 x 24.09 | 23.94 x 23.43 x 12.64 | | | 20.98 x 20.98 | 21.85 x 22.36 | 19.61 x 19.13 | 11.30 | 19.68 | 0.83 | 19.25 | 19.25 | | | |
| UU756030 | Solid | 775 x 612 | 758 x 595 x 321 | A30P24 | A30P24G | 686 x 533 | 555 x 718 | — | 287 | 500 | 21 | 489 | 641 | | | |
| | | 30.51 x 24.09 | 29.84 x 23.43 x 12.64 | | | 27.01 x 20.98 | 21.85 x 28.27 | — | 11.30 | 19.68 | 0.83 | 19.25 | 25.24 | | | |

| Catalog Number | Door Style | External Dimensions | | Internal Dimensions | | Panel | Conductive Panel | Panel Size D x E mm/in. | Mounting G x H mm/in. | Window Size | | | | |
|----------------|------------|-----------------------------|---|---------------------|---------|----------------------------|----------------------------|-------------------------------|-----------------------------|--------------|-------------|--------------|--------------|-------------|
| | | L x W mm/in. | mm/in. | A x B x C mm/in. | mm/in. | | | | | F mm/in. | J mm/in. | K mm/in. | S mm/in. | T mm/in. |
| UU756030W | Window | 775 x 612 30.51 x 24.09 | 758 x 595 x 321 29.84 x 23.43 x 12.64 | A30P24 | A30P24G | 686 x 533 27.01 x 20.98 | 555 x 718 21.85 x 28.27 | 648 x 486 25.51 x 19.13 | 287 11.30 | 500 19.68 | 21 0.83 | 489 19.25 | 641 25.24 | |
| UU1008030 | Solid | 1025 x 825 40.35 x 32.48 | 1008 x 808 x 321 39.68 x 31.81 x 12.64 | A40P30 | A40P30G | 940 x 737 37.01 x 29.02 | 768 x 968 30.24 x 38.11 | — — | 287 11.30 | 700 27.56 | 23 0.91 | 692 27.24 | 895 35.24 | |
| UU1008030W | Window | 1025 x 825 40.35 x 32.48 | 1008 x 808 x 321 39.68 x 31.81 x 12.64 | A40P30 | A40P30G | 940 x 737 37.01 x 29.02 | 768 x 968 30.24 x 38.11 | 898 x 698 35.35 x 27.48 | 287 11.30 | 700 27.56 | 23 0.91 | 692 27.24 | 895 35.24 | |
| UU606040 | Solid | 625 x 612 24.61 x 24.09 | 608 x 595 x 421 23.94 x 23.43 x 16.57 | A24P24 | A24P24G | 533 x 533 20.98 x 20.98 | 555 x 568 21.85 x 22.36 | — — | 387 15.24 | 500 19.68 | 21 0.83 | 489 19.25 | 489 19.25 | |
| UU606040W | Window | 625 x 612 24.61 x 24.09 | 608 x 595 x 421 23.94 x 23.43 x 16.57 | A24P24 | A24P24G | 533 x 533 20.98 x 20.98 | 555 x 568 21.85 x 22.36 | 498 x 486 19.61 x 19.13 | 387 15.24 | 500 19.68 | 21 0.83 | 489 19.25 | 489 19.25 | |
| UU756040 | Solid | 775 x 612 30.51 x 24.09 | 758 x 595 x 421 29.84 x 23.43 x 16.57 | A30P24 | A30P24G | 686 x 533 27.01 x 20.98 | 555 x 718 21.85 x 28.27 | — — | 387 15.24 | 500 19.68 | 21 0.83 | 489 19.25 | 641 25.24 | |
| UU756040W | Window | 775 x 612 30.51 x 24.09 | 758 x 595 x 421 29.84 x 23.43 x 16.57 | A30P24 | A30P24G | 686 x 533 27.01 x 20.98 | 555 x 718 21.85 x 28.27 | 648 x 486 25.51 x 19.13 | 387 15.24 | 500 19.68 | 21 0.83 | 489 19.25 | 641 25.24 | |

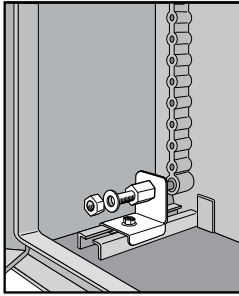
Purchase panels separately.

Note: When installing enclosures in a right-hand hinge application that involves vibration, Hoffman recommends the use of pad-locking or key-locking quarter-turn latch accessories for door securement (UUHPL, UUHKL).



C2553-C

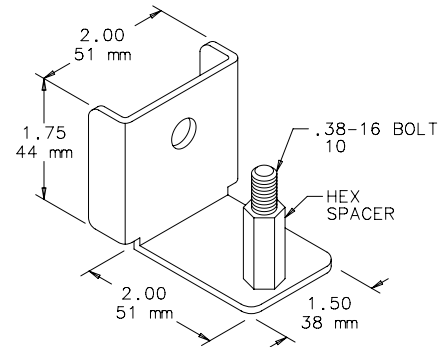
PANEL BRACKET KIT



Panel Bracket Kit is used with steel panels and permits panel adjustment from front to rear. Fits all ULTRX sizes. Mounts on integrally molded body rail. Brackets are plated steel. All mounting hardware is included. *Note: Front mounting position is approximately 140mm/5.5 in. back on 400mm enclosures.*

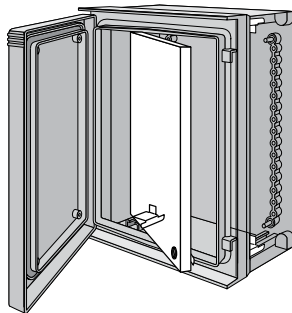
BULLETIN: UX1Y

| Catalog Number | Description | Pkg. Qty. |
|----------------|-------------------------|-----------|
| UUPB | ULTRX Panel Bracket Kit | 4 |



87792343

SWING-OUT PANEL



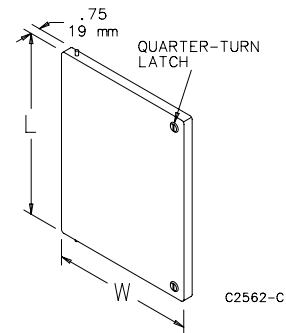
Installs front-mounted panels in ULTRX fiberglass enclosures. The front-mounted swing panel complements window-door units and is suited for any application requiring a display of gauges, dials or any type of control equipment monitor. Made of 14 gauge plated steel. Easy installation; no drilling required. Fully adjustable front to rear. Panel and mounting hardware included.

Note: Front mounting position is approximately 140mm/5.5 in. back on 400mm enclosures.

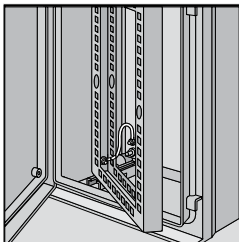
BULLETIN: UX1Y

| Catalog Number | Fits A x B mm/in. | L mm/in. | W mm/in. |
|----------------|-----------------------------|--------------|--------------|
| UU5040SP | 513 x 413 20.20 x 16.26 | 432 17.00 | 330 12.99 |
| UU6050SP | 625 x 513 24.61 x 20.20 | 536 21.10 | 432 17.00 |
| UU6060SP | 625 x 612 24.61 x 24.09 | 540 21.25 | 535 21.08 |
| UU7560SP | 775 x 612 30.51 x 24.09 | 687 27.05 | 535 21.08 |
| UU10080SP | 1025 x 825 40.35 x 32.48 | 935 36.80 | 737 29.00 |

Use UU6060SP with DATACOM ULTRX Fiberglass Type 4X WiFi Cabinet.



GROUNDING DEVICE



Grounding Device provides a means to attach a grounding conductor to an ULTRX Swing-Out Panel or Swing-Out Frame. Includes all installation hardware and instructions.

BULLETIN: UX1Y

| Catalog Number | Description |
|----------------|------------------------|
| UUGK | ULTRX Grounding Device |

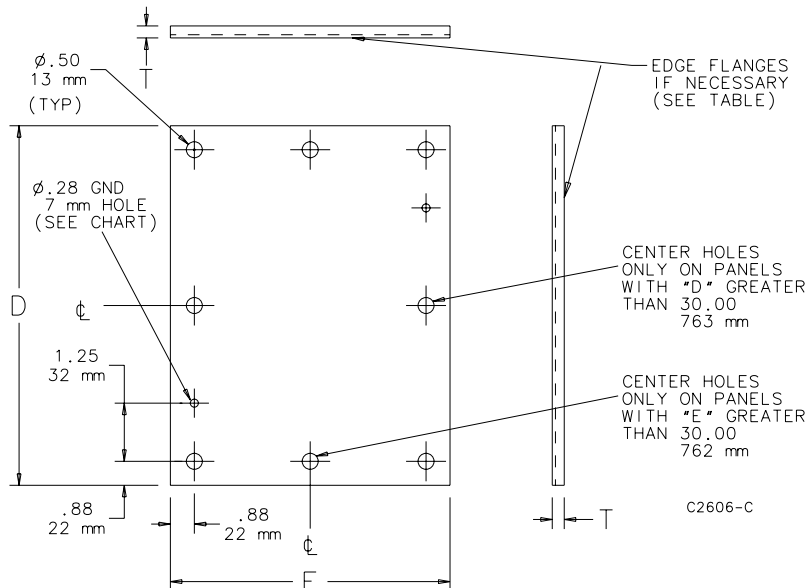
PANELS FOR TYPE 3R, 4, 4X, 12 AND 13 ENCLOSURES

Steel panels are 12 gauge with a white finish. Panel mounting hardware is furnished with all enclosures which accept these panels.

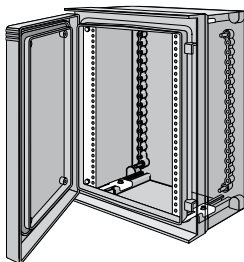
BULLETIN: DWS12, PNLWM

| Catalog Number | Panel Gauge | Flange | | Panel Size D x E (in.) | Panel Size D x E (mm) | Number of Holes | Edge Flanges |
|----------------|-------------|-------------------|------------------|------------------------|-----------------------|-----------------|--------------|
| | | Thickness T (in.) | Thickness T (mm) | | | | |
| A20P16 | 12 | — | — | 17.00 x 13.00 | 432 x 330 | 4 | 0 |
| A24P20 | — | 0.75 | 19 | 21.00 x 17.00 | 533 x 432 | 4 | 2 |
| A24P24 | — | 0.75 | 19 | 21.00 x 21.00 | 533 x 533 | 4 | 2 |
| A24P24WD | — | 0.75 | 19 | 21.00 x 21.00 | 533 x 533 | 4 | — |
| A30P24 | — | 0.75 | 19 | 27.00 x 21.00 | 686 x 533 | 4 | 2 |
| A40P30 | — | 0.75 | 19 | 37.00 x 29.00 | 940 x 737 | 4 | 4 |

Catalog number with "WD" is wood.



RACK ANGLES (TYPE RA)

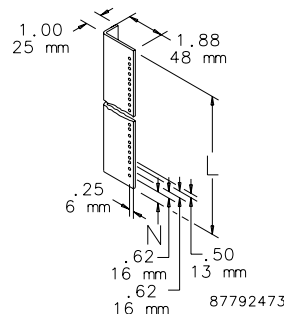


Pairs of full-length rack-mounting angles are available for mounting 1-in. (483-mm) rack-mounted equipment. Type RA angles are 14 gauge steel with .281-in. (7-mm) diameter mounting holes, spaced per EIA standard RS-310-D (universal spacing). Use Clip Nut Package (AN1032) to provide tapped holes at desired locations. Angles and mounting hardware are plated steel. Mounting hardware is furnished.

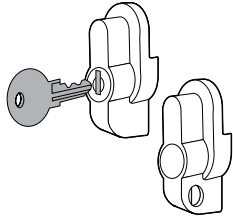
BULLETIN: UX1Y

| Catalog Number | Fits A x B mm/in. | L mm/in. | N mm/in. | Rack Units | Pkg. Qty. |
|----------------|----------------------------|--------------|-----------|------------|-----------|
| UURA6060 | 610 x 610 24.00 x 24.00 | 552 21.75 | 10 .38 | 12 | 2 |
| UURA7560 | 762 x 610 30.00 x 24.00 | 705 27.75 | 19 .75 | 15 | 2 |

Use UURA6060 with DATACOM ULTRX Fiberglass Type 4X WiFi Cabinet.



KEYLOCK KIT AND PADLOCK KIT



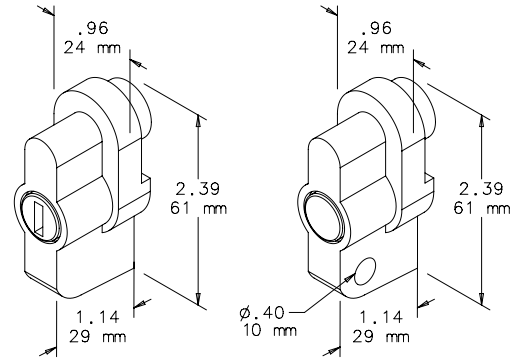
Keylock Kit or pushbutton-style Padlock Kit is easily inserted in latch hole to prevent unauthorized personnel from gaining access to enclosure contents. Each kit is fully assembled for easy installation in the field. Type 316 stainless steel construction.

BULLETIN: UX1Y

| Catalog Number | Description |
|----------------|-------------|
| UUHKL | Keylock Kit |
| UUHPL | Padlock Kit |

UUHKL: Internal key components are not stainless steel.

UUHPL: Handles maintain UL 508A, Type 3, 4, 4X and 12 when properly installed on a Hoffman enclosure. Set up for 1/4-in. or 3/8-in. padlock.

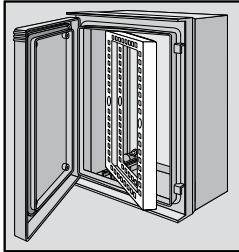


Keylock Kit

Padlock Kit

87792346

SWING FRAME



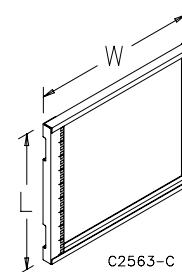
Swing Frame provides 19-in. rack-mounting capabilities with U-Style (Type RA) mounting hole pattern. Quarter-turn latch has 100-degree swing. Adjustable mounting provision. 14 gauge plated steel. Includes mounting hardware. Swing frame maintains enclosure rating if properly installed in a Hoffman enclosure.

Note: Front mounting position is approximately 140mm/5.5 in. back on 400mm enclosures.

BULLETIN: UX1Y

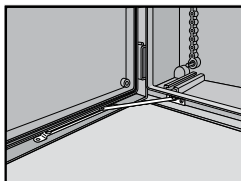
| Catalog Number | Fits A x B mm/in. | L mm/in. | W mm/in. | Rack Units |
|----------------|----------------------------|--------------|--------------|---------------|
| UU6060SF | 610 x 610 24.00 x 24.00 | 540 21.25 | 535 21.08 | 11 |
| UU7560SF | 762 x 610 30.00 x 24.00 | 687 27.05 | 535 21.08 | 14 |

Use UU6060SF with DATACOM ULTRX Fiberglass Type 4X WiFi Cabinet.



C2563-C

DOOR STOP KIT

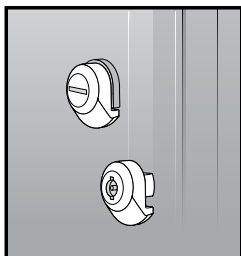


Door Stop Kit limits door to 120-degree opening. Field installable on all sizes of ULTRX enclosures. Type 304 stainless steel construction.

BULLETIN: UX1Y

| Catalog Number | Description |
|----------------|---------------|
| UUDS | Door Stop Kit |

ULTRX™ KEY INSERT

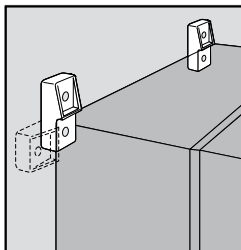


Inserts can be substituted for the standard quarter-turn latch. Inserts are Type 316 stainless steel.

BULLETIN: UX1Y

| Catalog Number | Insert Type |
|----------------|-------------------|
| UUL3DB | Double-bit 3 mm |
| UULSC | Screw driver slot |

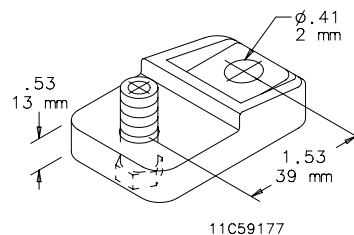
ULTRX™ MOUNTING BRACKET KIT



Kit is field-installable. Corrosion-resistant fiberglass material. Type 316 stainless steel mounting hardware is included. Four mounting brackets per kit.

BULLETIN: UX1Y

| Catalog Number | Description | Kit Qty. |
|----------------|----------------------|----------|
| UUMF | Mounting Bracket Kit | 4 |



SCREW INSERT KIT

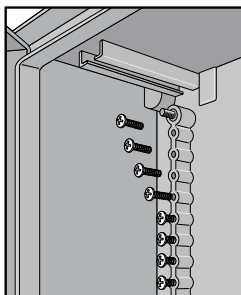


Brass threaded inserts (10-32) with plated screws. Used on door bosses and DIN bosses.

BULLETIN: UX1Y

| Catalog Number | Description | Kit Qty. |
|----------------|------------------|------------------------|
| UUMH2 | Screw Insert Kit | 4 inserts and 4 screws |

SELF-TAPPING SCREWS



Plated screws (1/4-15 x .88) mount panels and accessories to DIN bosses on back of enclosure.

BULLETIN: UX1Y

| Catalog Number | Description | Pkg. Qty. |
|----------------|---------------------|-----------|
| UUMH1 | Self-Tapping Screws | 10 |