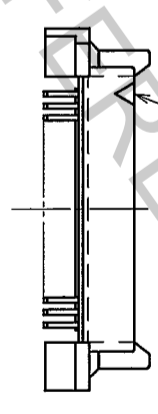
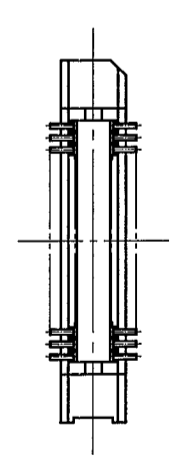
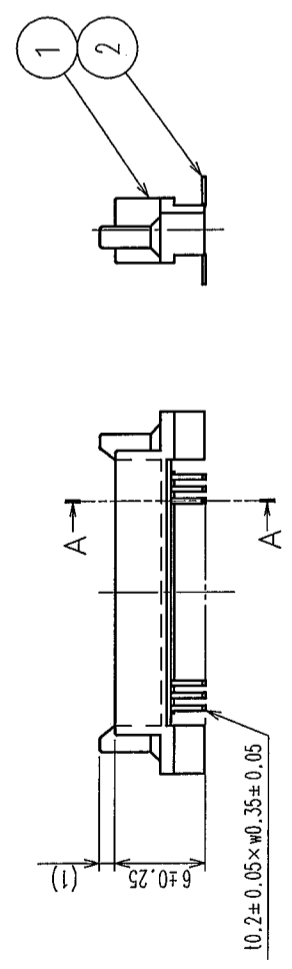
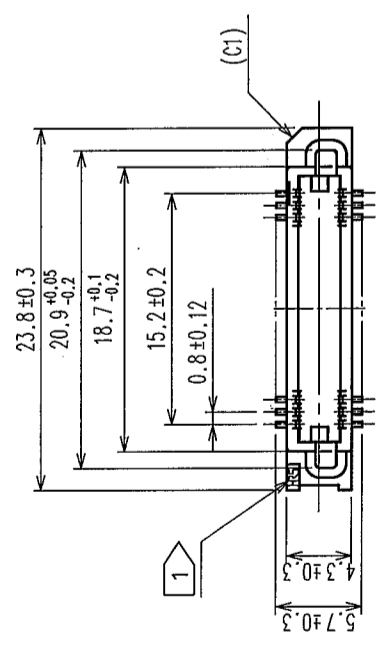
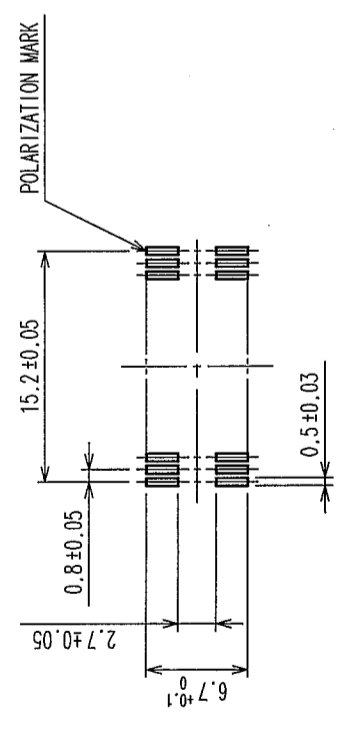


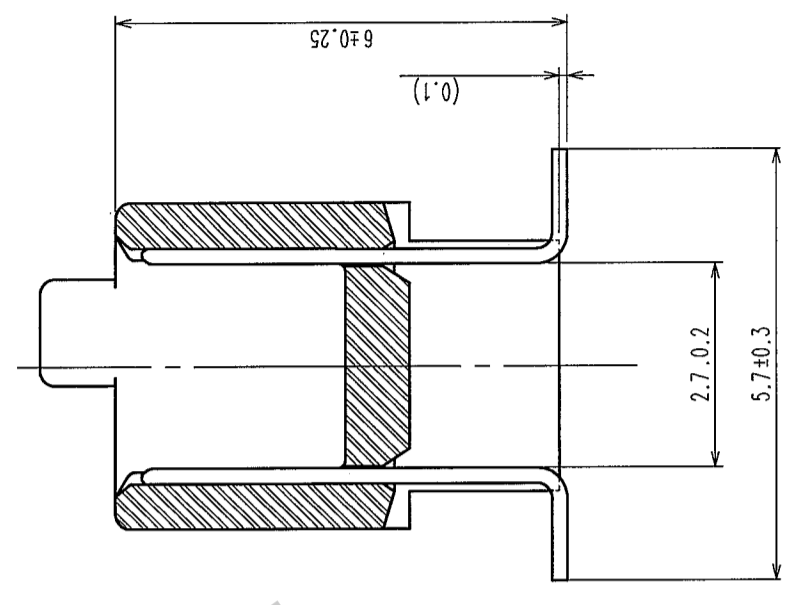
COUNT	DESCRIPTION OF REVISIONS	BY	CHKD	DATE	COUNT	DESCRIPTION OF REVISIONS	BY	CHKD	DATE
△					△				
△					△				
△					△				



RECOMMENDED P.C.B. LAND PATTERN(MOUNT SIDE)



A-A (10:1)



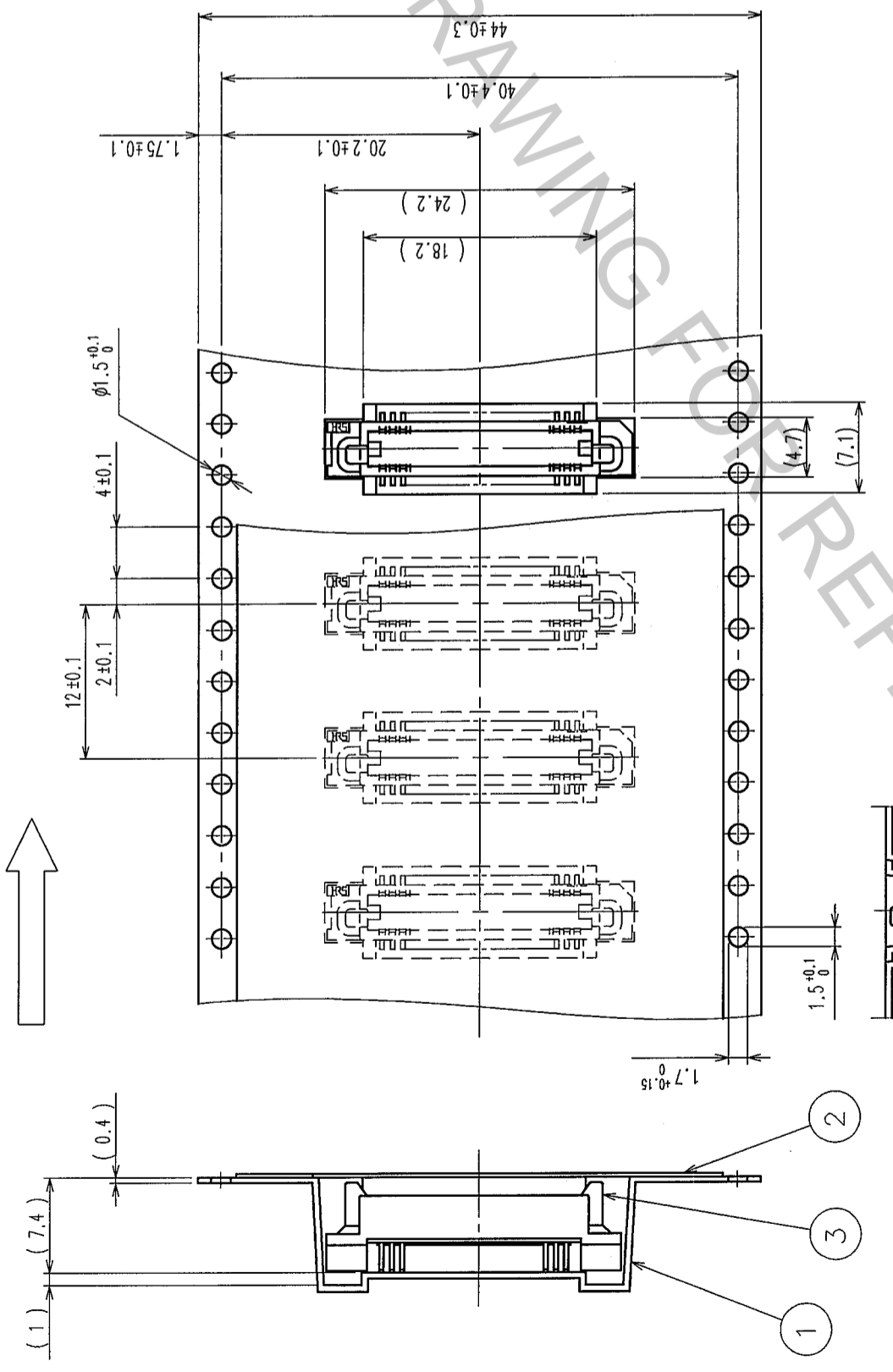
- NOTE
- 1 HRS MARK SHALL BE OPTIONAL.
 - 2 LEAD CO-PLANARITY SHALL BE 0.1mm MAX.
 - 3 THE DIMENSIONS IN PARENTHESES ARE FOR REFERENCE.
 - 4 EMBOSSED CARRIER TAPE PACKAGING SHALL BE APPLIED FOR THIS PRODUCT.
 - 5 FOR MODIFICATION, ETC, PREVENTIVE HOLE FOR SINK MARK MAY BE ADDED ACCORDING TO CIRCUMSTANCES.

1	POLYPHENYLENE SULFIDE	LIGHT BROWN	UL94V-0	2	PHOSPHOR BRONZE	CONTACT AREA : GOLD 0.1μm min.
NO.	MATERIAL	FINISH, REMARKS	NO.	MATERIAL	LEAD AREA : TIN-PLATING 1μm min.	UNDER PLATING : NICKEL 1μm min.
CODE NO. (OLD)	CL		DESIGNED	Y. Aoyagi	05.09.27	
SCALE	2:1		CHECKED	X. Ogawa	05.09.27	
UNITS	mm		APPROVED	H. Okawa	05.09.27	
DRAWING NO.	EDC3-071321-22		FINISH, REMARKS			
PART NO.	FX6A-40P-0.8SV2(92)					
CODE NO.	CL576-0243-2-92					

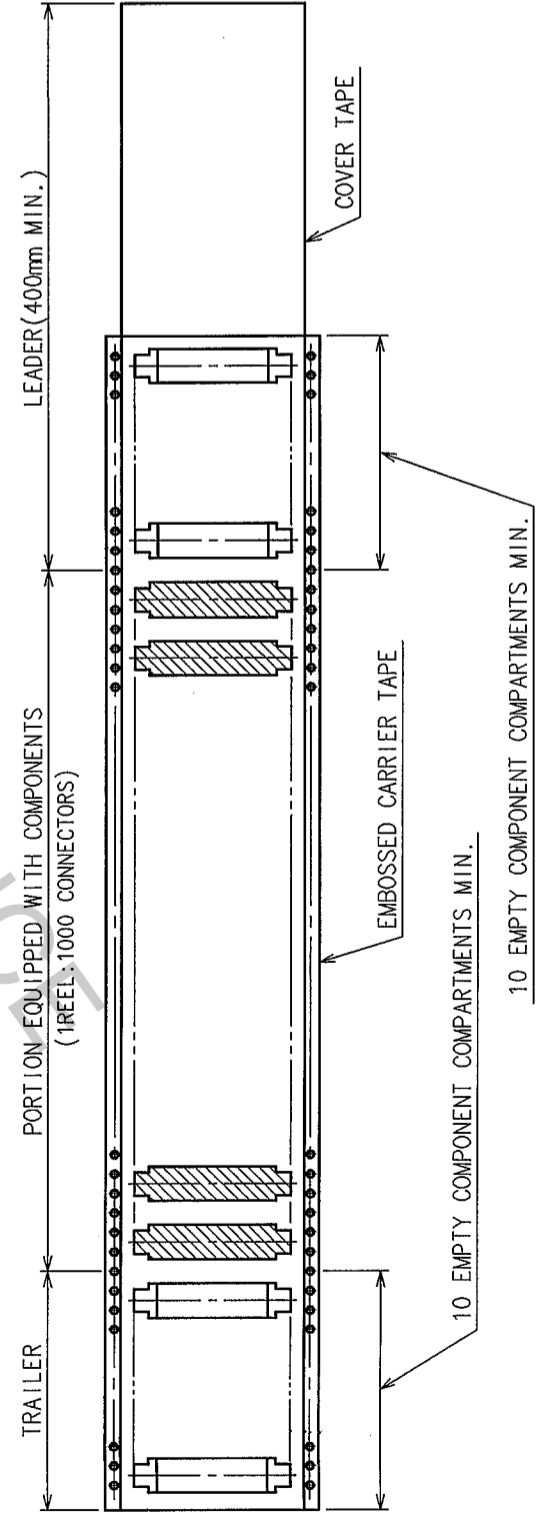
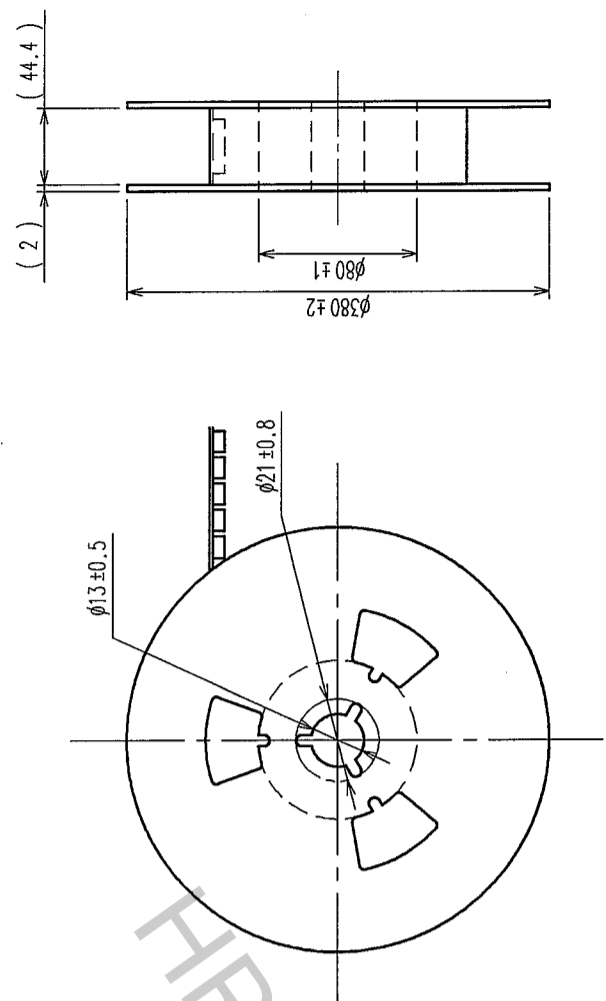
TO	

COUNT	DESCRIPTION OF REVISIONS	BY	CHKD	DATE	COUNT	DESCRIPTION OF REVISIONS	BY	CHKD	DATE

DIRECTION OF UNREELING



STYLE AND DIMENSION OF REEL (FREE)



NOTE 1 THE DIMENSIONS IN PARENTHESES ARE FOR REFERENCE.
2 1 REEL : 1000 CONNECTORS.

2	POLYESTER	COVER TAPE	NO.	MATERIAL	FINISH, REMARKS	DESIGNED	DRAWN	NO.	MATERIAL	FINISH, REMARKS	CHECKED	APPROVED	RELEASED	
1	POLYSTYRENE	EMBOSSED CARRIER TAPE	3		(CONNECTOR)		Y. AOYAGI				H. Ogawa	H. Okawa		
NO.	MATERIAL	FINISH, REMARKS	NO.	MATERIAL	FINISH, REMARKS	DESIGNED	DRAWN	NO.	MATERIAL	FINISH, REMARKS	CHECKED	APPROVED	RELEASED	
CODE NO. (OLD)	CL					J. Noda	Y. AOYAGI				H. Ogawa	H. Okawa		
						'05.09.27	'05.09.27				'05.09.27	'05.09.27		
DRAWING NO.	EDC3-071321-22		PART NO.		FX6A-40P-0.8SV2(92)									
SCALE	2 : 1		CODE NO.		CL576-0243-2-92									
UNITS	mm		HIROSE ELECTRIC CO., LTD											