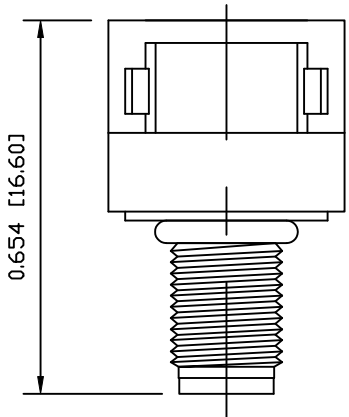
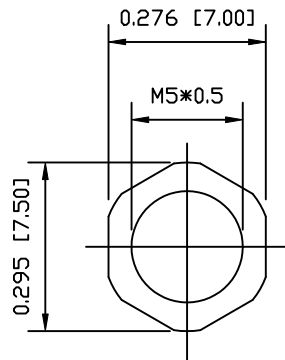


DESCRIPTION: M5 MALE - RIGHT ANGLE - PANEL MOUNT - 2 POSITION

UNITS = INCHES [MM]



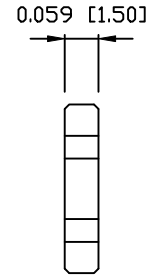
0.654 [16.60]



0.276 [7.00]

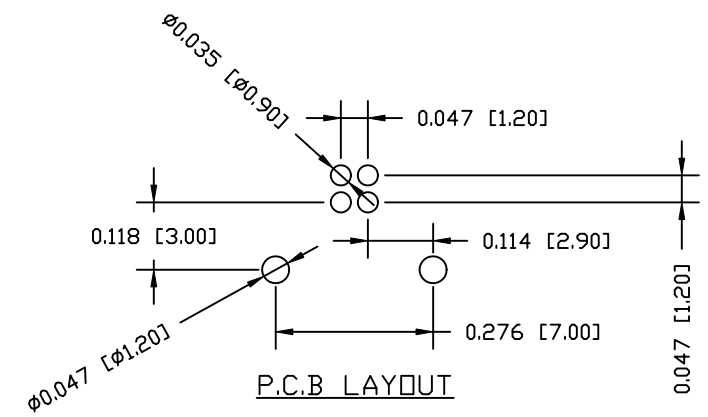
M5\*0.5

0.295 [7.50]

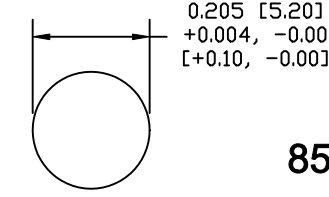


0.059 [1.50]

NUT



P.C.B. LAYOUT



PANEL CUT-OUT

853-002-113R00Y

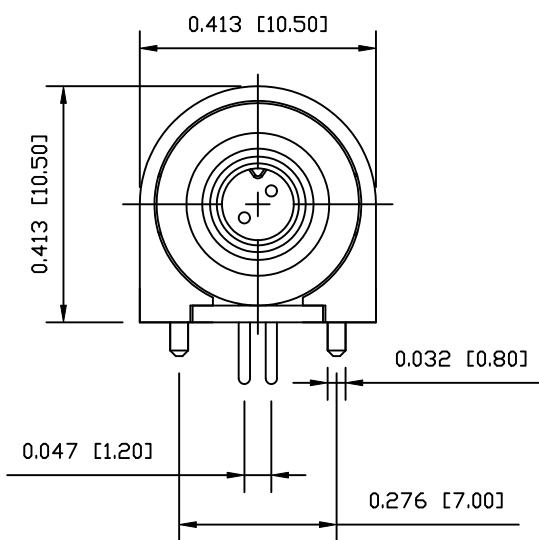
1 = GOLD FLASH  
4 = 10µ" GOLD

NOTE:

MATERIAL  
HOUSING: PBT UL94V-0, BLACK  
CONTACT: BRASS  
NUT: BRASS  
O-RING: NBR, BLACK  
BACK HOUSING: PBT UL94V-0, BLACK  
DOWN HOUSING: PBT UL94V-0, BLACK

FINISH  
CONTACT: GOLD PLATED  
OVER 50µ" NICKEL  
NUT: NICKEL PLATED

ELECTRICAL  
RATED CURRENT: 1A  
RATED VOLTAGE: 60V  
INSULATION RESISTANCE: 100 MΩhms MIN.  
CONTACT RESISTANCE: 10 MΩhms MAX.  
WATER PROOF: IP67  
ENVIRONMENT  
OPERATION TEMPERATURE: -40°C TO +85°C



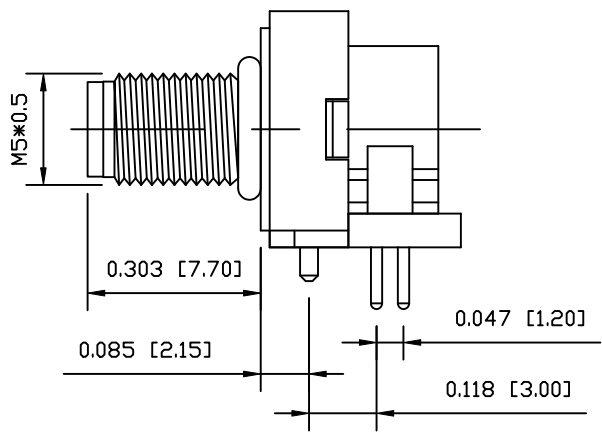
0.413 [10.50]

0.413 [10.50]

0.032 [0.80]

0.047 [1.20]

0.276 [7.00]



M5\*0.5

0.303 [7.70]

0.085 [2.15]

0.047 [1.20]

0.118 [3.00]

RoHS COMPLIANT

DO NOT SCALE FROM DRAWING



THESE DRAWINGS AND SPECIFICATIONS ARE THE PROPERTY OF NorComp AND SHALL NOT BE REPRODUCED, COPIED OR USED AS THE BASIS FOR THE MANUFACTURE OR SALE OF APPARATUS WITHOUT WRITTEN PERMISSION.

DRAWN: M. SIGMON DATE: 03-03-16  
CHECKED: DATE:

NorComp

SCALE: NTS SHEET 1 OF 1 REV 2  
DWG NO. 853-002-113R00Y