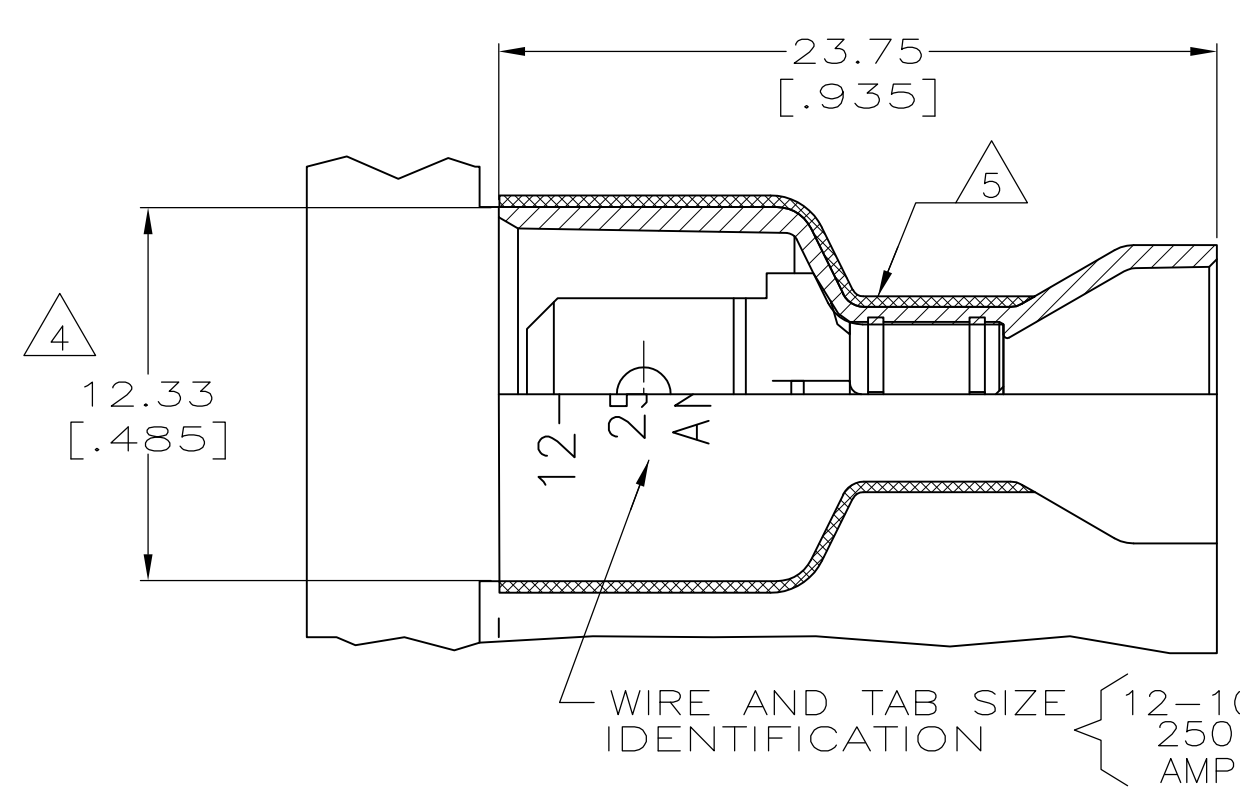
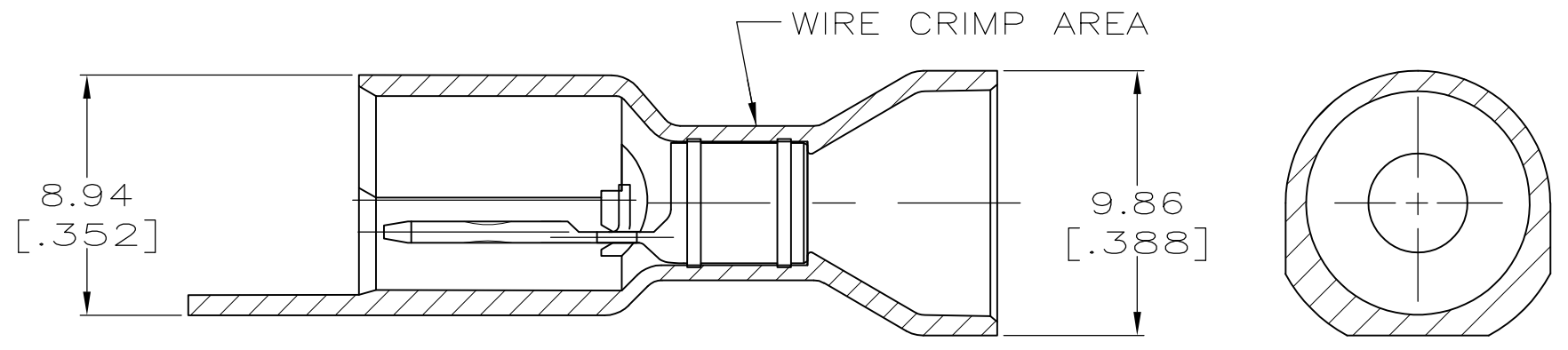
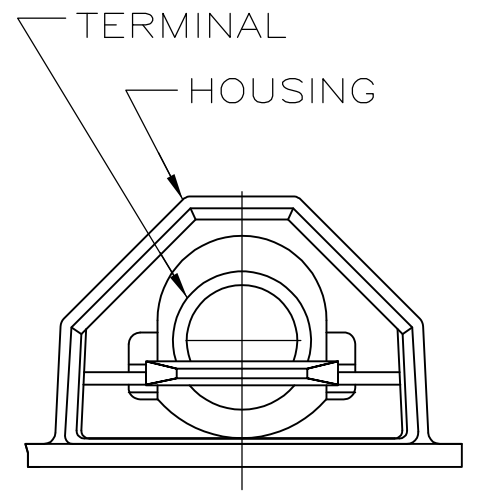


THIS DRAWING IS UNPUBLISHED. RELEASED FOR PUBLICATION  
 © COPYRIGHT - By - ALL RIGHTS RESERVED.

LOC	DIST	REVISIONS			
P	LTR	DESCRIPTION	DATE	DWN	APVD
AF	50	E	REVISED PER ECR-12-005303	23JUL12	KH KR



- 1 TAB DIMENSIONS  $0.81^{+.025}_{-.050} \times 6.35$   
 $[\.032^{+.001}_{-.002} \times \.250]$
- 2 WIRE STRIP LENGTH 7.92 [.312].
- 3 CONTINUOUS STRIP ON REELS.
- 4 DIMENSION DOES NOT INCLUDE TRIM BURR.
- 5 0.38 [.015] MAX CARRIER TRIM BURR PER SIDE IS ALLOWABLE IN THE SHADED AREA.
- 6 INSULATION SIZE IS .320 MAX DIA.



HOUSING: NYLON, COLOR-YELLOW  
 TAB: #3 HARD BRASS, TIN  
 MATERIAL & FINISH  
 PART NO 4-521097-2

THIS DRAWING IS A CONTROLLED DOCUMENT.		DWN JR RUTH 9/25/95	<b>TE Connectivity</b>  TAB ASSEMBLY, ULTRA-FAST, [6.35] .250 SERIES, 12-10 AWG					
DIMENSIONS: INCHES		CHK P FORTNEY 9/25/95				APVD D BRATINA 9/25/95	NAME	
TOLERANCES UNLESS OTHERWISE SPECIFIED:		PRODUCT SPEC 108-2017				APPLICATION SPEC		
0 PLC ± - 1 PLC ± - 2 PLC ± 0.38 [.015] 3 PLC ± - 4 PLC ± - ANGLES ± -		APPLIC. SPEC 114-2123				RESTRICTED TO		
MATERIAL SEE TABLE		FINISH SEE TABLE		WEIGHT -	SIZE A3	CAGE CODE 00779	DRAWING NO C-521097	REV E
CUSTOMER DRAWING					SCALE 4:1	SHEET 1 OF 1		