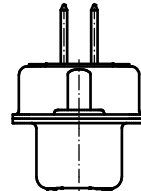
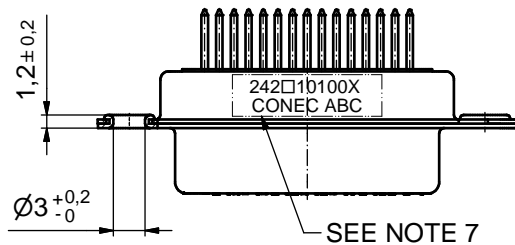
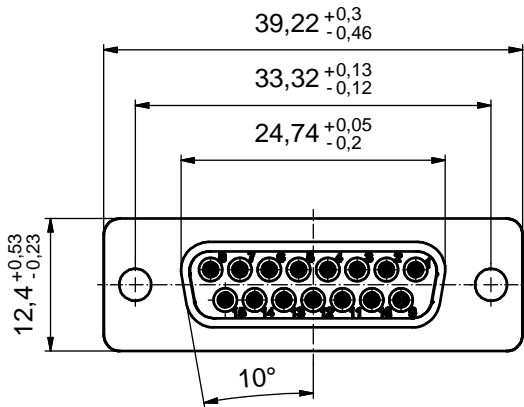
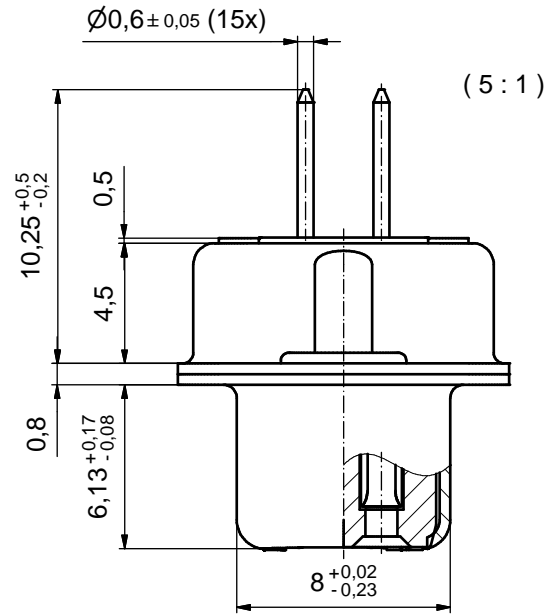
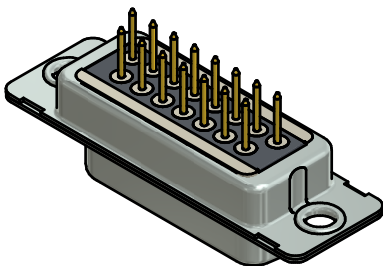


P.C.B. HOLE DRILLINGS  
(P.C.B TOP SIDE)



NOTES:

- FOR WAVESOLDERING (SOLDER BATH TEMPERATURE 260°C FOR 5 SEC. AND SOLDER PREHEAT 100°C FOR 30 SEC.)
- METALSHELLS: STEEL; min. 315µin TIN over 40-80µin NICKEL
- INSULATOR: HIGH TEMPERATURE PLASTIC UL 94 V-0; BLACK
- CONTACTS: COPPER ALLOY; PLATING (SEE PART NO.):
  - PLEASE ADD A for GOLD FLASH over NICKEL (PREFERRED TYPE)
  - PLEASE ADD B for 20µin HARD GOLD over min. 50µin NICKEL
  - PLEASE ADD C for 30µin HARD GOLD over min. 50µin NICKEL
- DIELECTRIC WITHSTANDING VOLTAGE: 424 VDC
- CAPACITANCE: 830pF ± 20%
- CONNECTOR IS PART MARKED: **242□10100X CONEC ABC**, (see note 4)



RoHS compliant

THIS DRAWING MAY NOT BE COPIED OR REPRODUCED IN ANY WAY, AND MAY NOT BE PASSED ON TO A THIRD PARTY WITHOUT WRITTEN PERMISSION. OWNERSHIP AND COPYRIGHT OF CONEC GmbH DO NOT ALTER CAD DRAWING BY HAND	tolerance		dim. in mm		scale: 2:1 (5:1)	
					material: SEE NOTES	
			date		name	
			drawn 23.09.2015		Heinrich	
			appd. 23.09.2015		Lehmenkühler	
			norm		d-old	
title:					D-SUB C-FILTER FEMALE	
					15pos. SOLDER PIN STRAIGHT	
dwg no:					24K1A1636	
part no:					242□10100X (see note 4)	
a Original						
rev. description date name						
					DIN-A3	
					sh: 1	