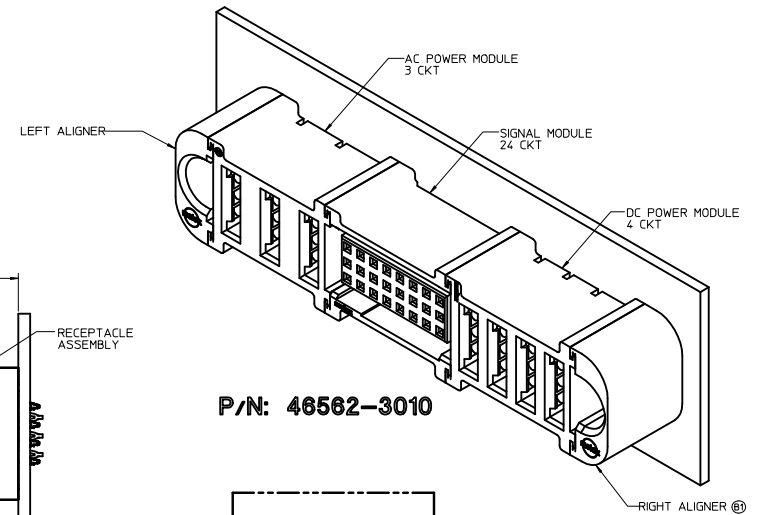
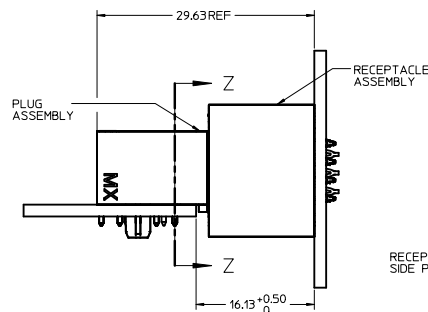
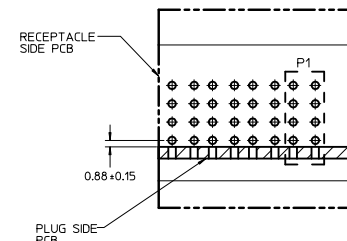


RECOMMENDED PCB LAYOUT AND KEEP-OUT ZONE



P/N: 46562-3010



SECTION Z-Z

NOTES:

- MATERIAL:
 - HOUSINGS: LCP UL94 V-0, COLOR: BLACK.
 - TERMINALS: COPPER ALLOY.
 - PLATING: 0.000127 NICKEL OVERALL WITH 0.00254 SELECTIVE TIN ON COMPLIANT PINS. AND 0.000762 SELECTIVE GOLD ON CONTACT AREA.
- ASSEMBLIES PACKED IN TRAYS, SPO: TBD.
- PC BOARD REQUIRES THRU HOLES, REFER TO PS-46436-100 FOR DETAILS.
- PRODUCT SPEC: PS-46436-100.
- APPLICATION SPEC: AS-46436-100.
- PRODUCT TO MEET RoHS REQUIREMENTS.
- ASSEMBLY MATES WITH PLUG ASSEMBLY. P/N 46437-3010.

UPDATE DESCRIPTION EEC NO: LCP2010-1783 DRAWN: KJAD/MS 2010/01/22 CHK: CHY/CLG 2010/02/08 APPR: APATEL 2010/02/10	QUALITY SYMBOLS	GENERAL TOLERANCES (UNLESS SPECIFIED)		DIMENSION STYLE	SCALE	DESIGN UNITS	THIRD ANGLE PROJECTION
		mm	INCH	MM ONLY	3:1	METRIC	
		4 PLACES ±---	±---				
		3 PLACES ±---	±---				
	2 PLACES ±0.25	±---					
	1 PLACE ±0.25	±---					
	ANGULAR ±1/2°						
	DRAFT WHERE APPLICABLE MUST REMAIN WITHIN DIMENSIONS						
	MATERIAL NO.	DOCUMENT NO.		MATERIAL NO.		DOCUMENT NO.	
	46562-3010	SD-46562-310		46562-3010		SD-46562-310	
	SIZE D		THIS DRAWING CONTAINS INFORMATION THAT IS PROPRIETARY TO MOLEX INCORPORATED AND SHOULD NOT BE USED WITHOUT WRITTEN PERMISSION		SHEET NO.		1 OF 1