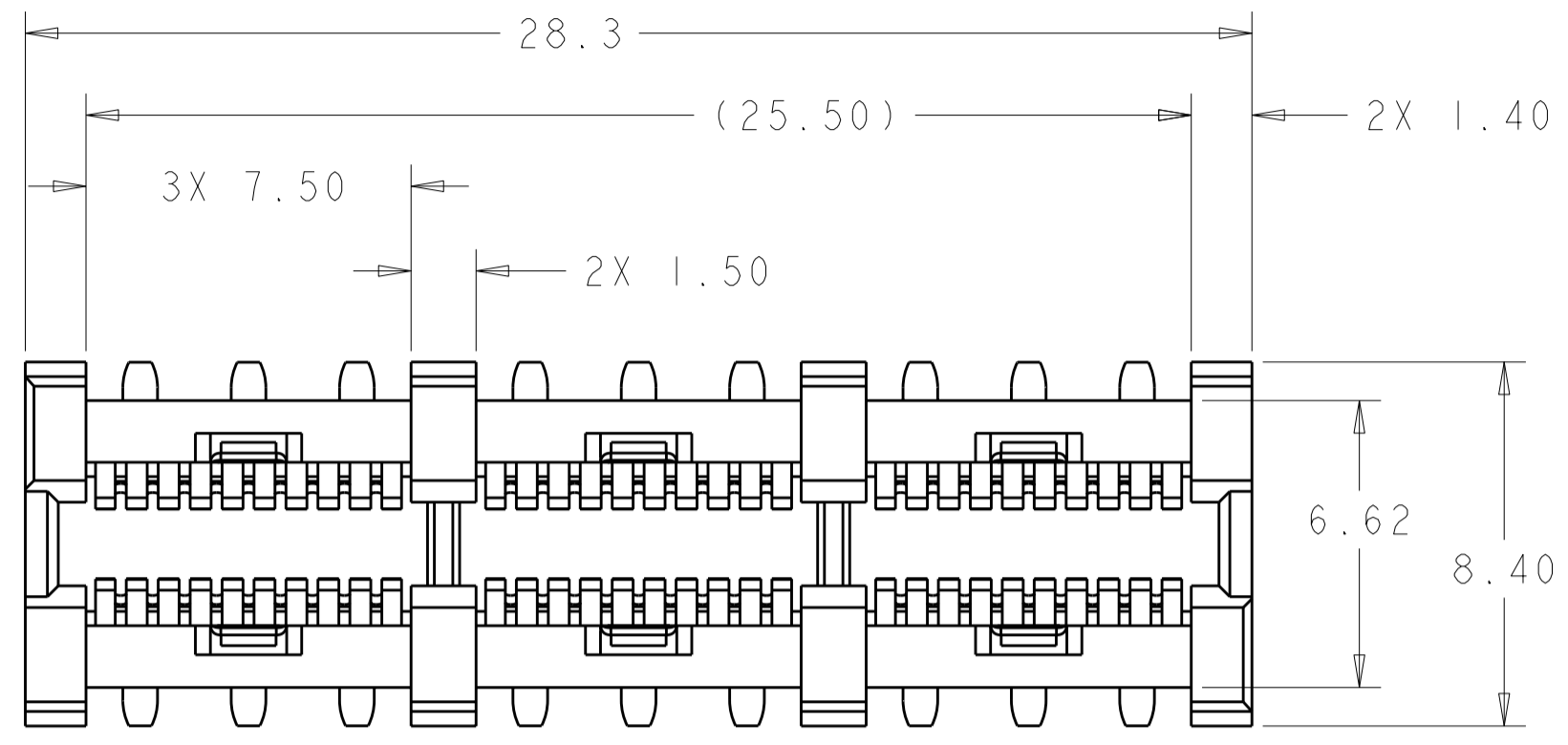


THIS DRAWING IS UNPUBLISHED. RELEASED FOR PUBLICATION 20
 © COPYRIGHT 20 BY TYCO ELECTRONICS CORPORATION. ALL RIGHTS RESERVED.

LOC		DIST		REVISIONS			
P	LTR	DESCRIPTION	DATE	DWN	APVD		
GP	00						
	C	REV PER ECO-08-028530	30JAN2009	RG	PD		



1. PART NUMBER CHANGES AND/OR DESIGN CHANGES AFFECTING ITEM INTERCHANGEABILITY REQUIRE PRIOR TYCO ELECTRONICS APPROVAL AND AUTHORIZATION BY REVISION TO THIS DRAWING.

2 MATERIAL:
 INSULATORS - THERMOPLASTIC, GLASS REINFORCED, COLOR: BLACK
 UL94V-0 FLAMMABILITY RATED
 CONTACT - COPPER ALLOY

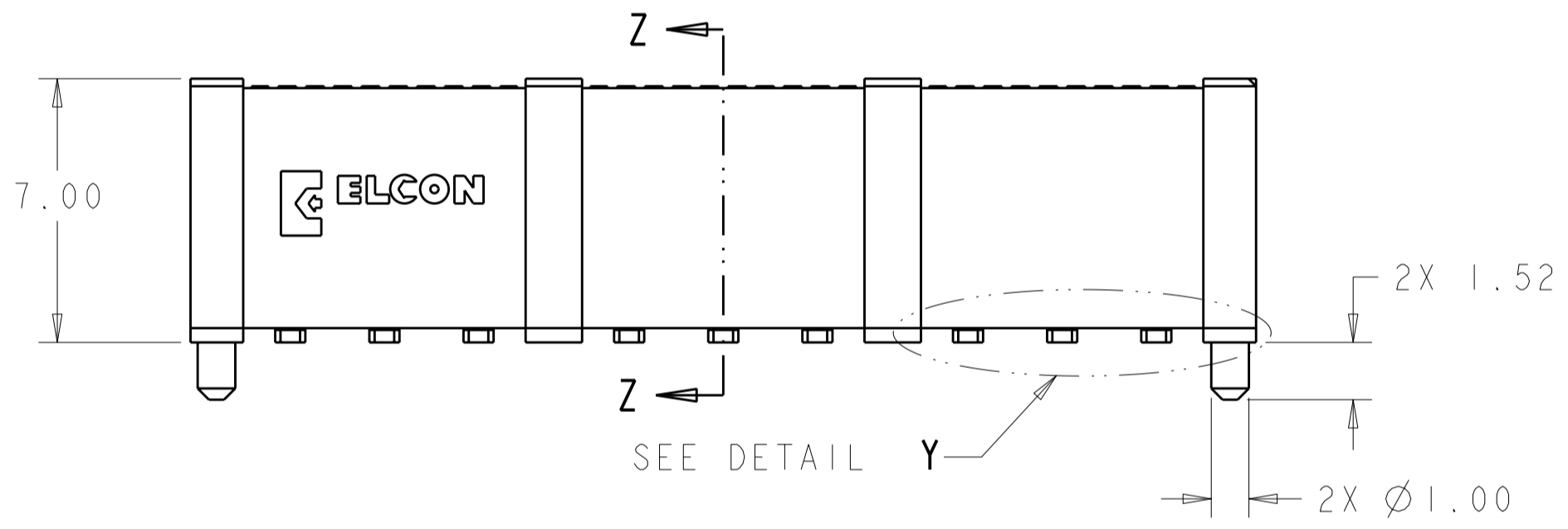
3 FINISH:
 CONTACT - GOLD PLATE 0.76µm MIN THK. OVER
 NICKEL 1.27µm MIN THK.
 SOLDER PADS - TIN PLATE 3.05 - 3.81µm THK. OVER
 NICKEL 1.27µm MIN THK.

4 ITEMS PROVIDED TO THIS SPECIFICATION TO BE PERMANENTLY IDENTIFIED PER THE FOLLOWING IDENTIFIER:
 YEAR WEEK

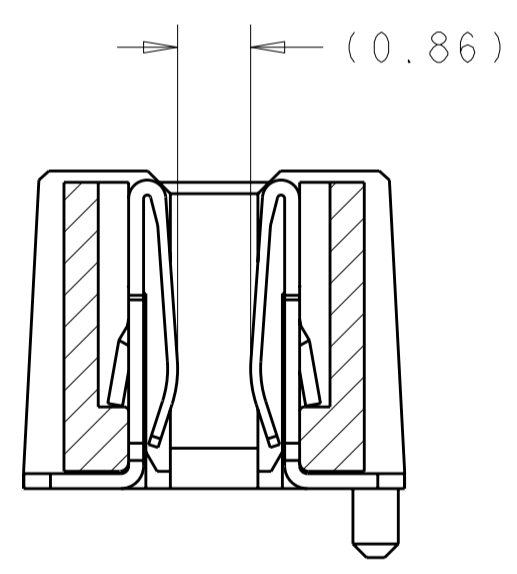
TYCO ELECTRONICS P/N DATE CODE (e.g. 0325)

XXXXXXXX-X XXXX

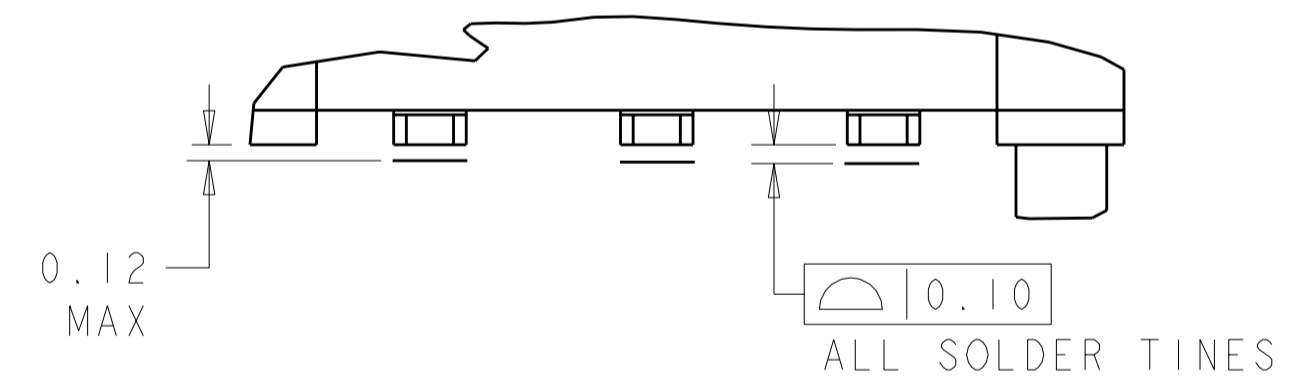
5. THIS CONNECTOR MATES WITH BLADE CONNECTOR P/N 6651711-1 AND 1926785-1



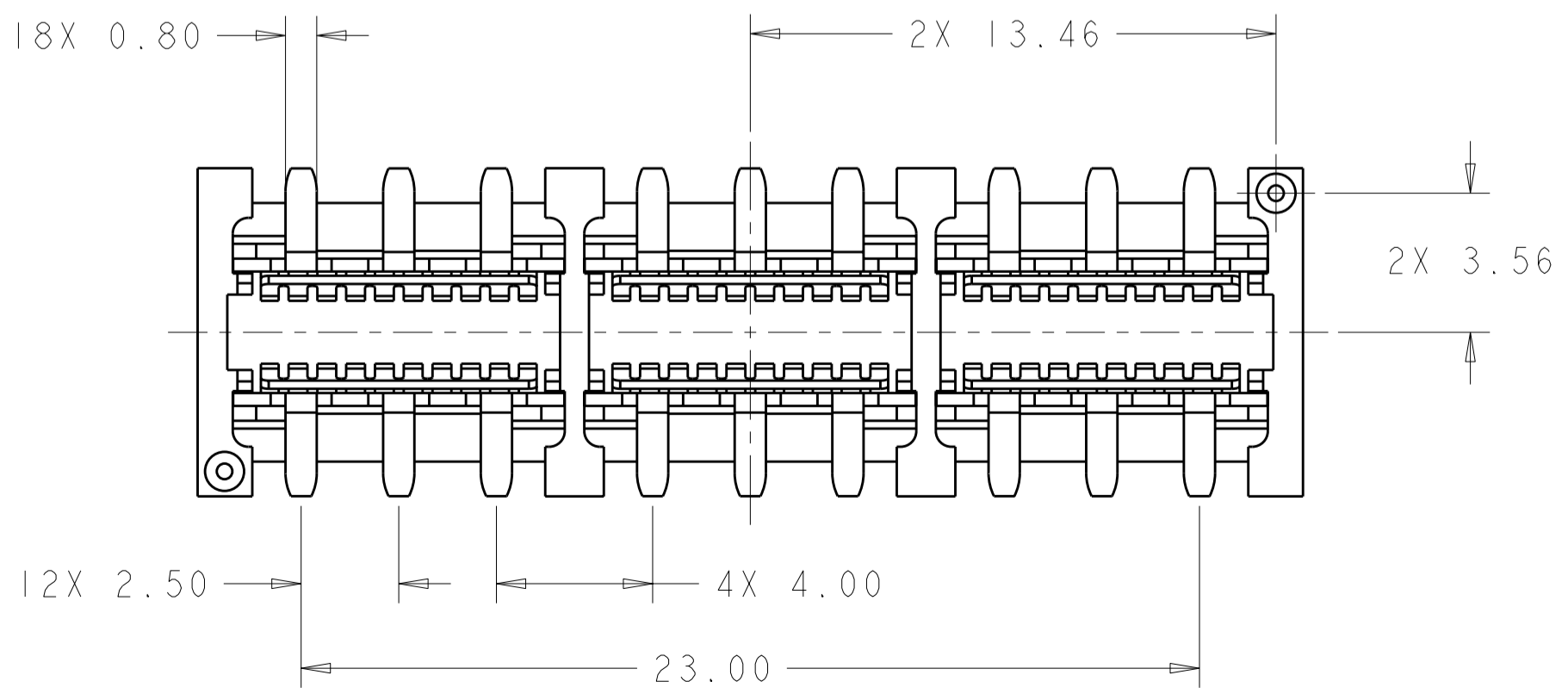
P/N 6651712-1
 AS SHOWN



SECTION Z-Z
 SCALE 6:1



DETAIL Y
 SCALE 12:1

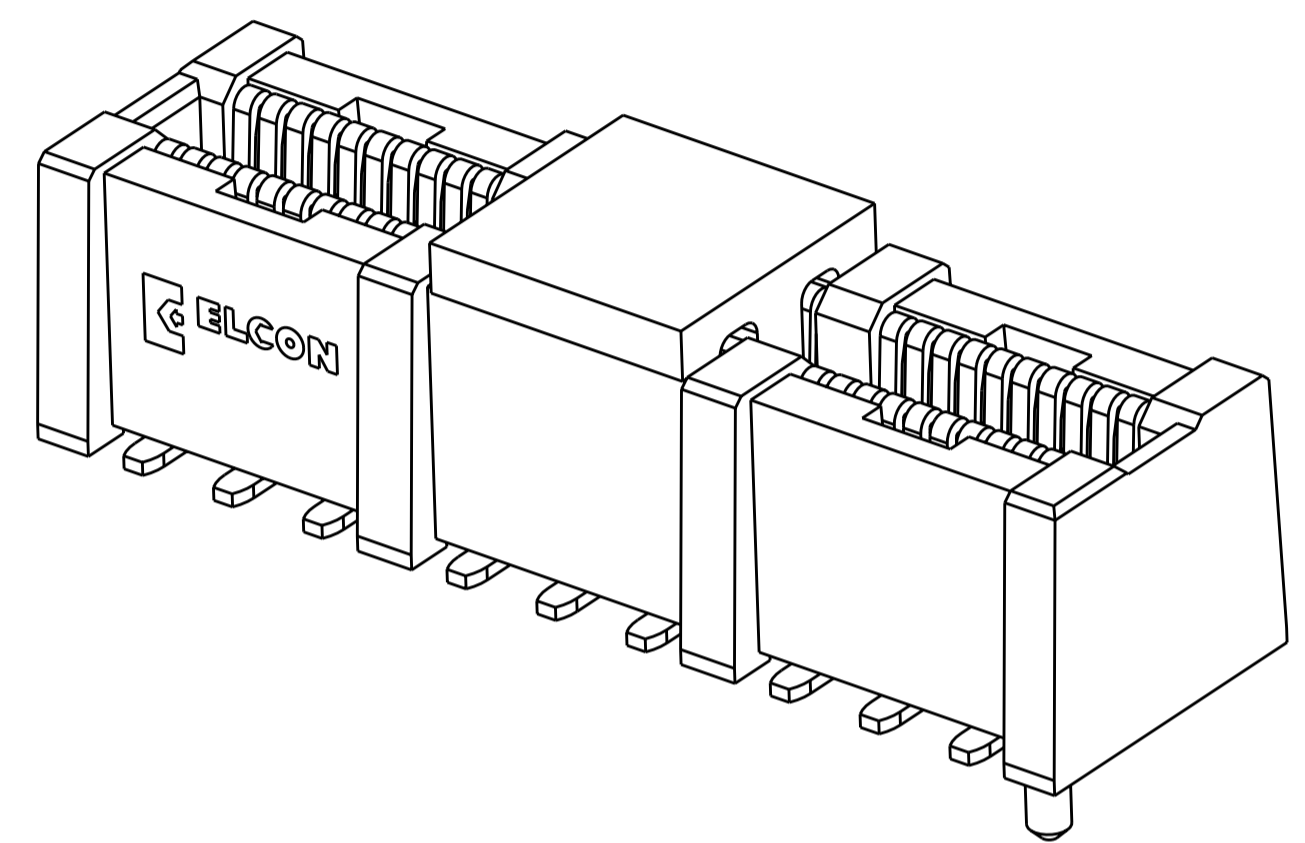
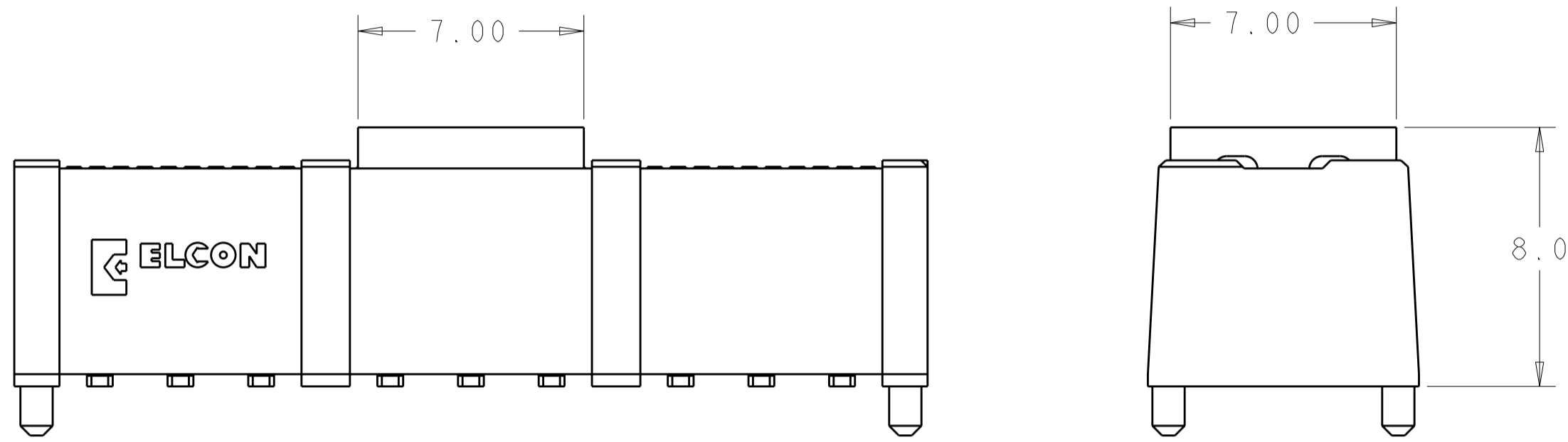


W/VACUUM CAP	6651712-2
INDIVIDUAL	6651712-1
DESCRIPTION	PART NO.

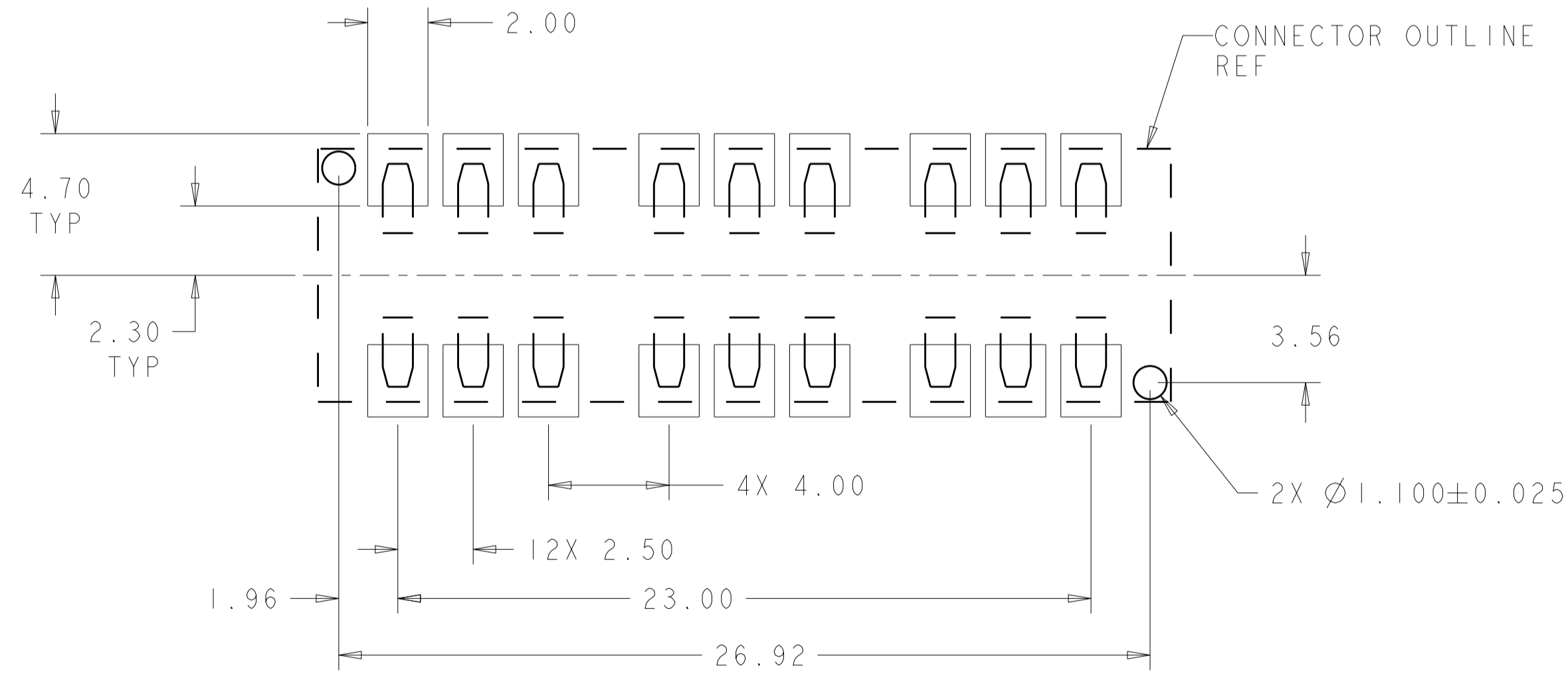
THIS DRAWING IS A CONTROLLED DOCUMENT FOR TYCO ELECTRONICS CORPORATION. IT IS SUBJECT TO CHANGE AND THE CONTROLLING ENGINEERING ORGANIZATION SHOULD BE CONTACTED FOR THE LATEST REVISION.		DWN 30JAN2009 HA/GRZYBOWSKI	Tyco Electronics Harrisburg, PA 17105-3608	
DIMENSIONS: mm		CHK P. DAMATO	NAME	
TOLERANCES UNLESS OTHERWISE SPECIFIED: 0 PLC ±.5 1 PLC ±.25 2 PLC ±.25 3 PLC ±. 4 PLC ±. ANGLES ±2 FINISH		APVD 30JAN2009 CHAU PERCHERKE	SOCKET CONNECTOR ASSEMBLY SURFACE MOUNT MC-P3S0, MINI CROWN EDGE	
MATERIAL		PRODUCT SPEC	SIZE	RESTRICTED TO
2		APPLICATION SPEC	A200779	-
		WEIGHT	CAGE CODE	DRAWING NO
		CUSTOMER DRAWING	G-6651712	
		SCALE 6:1	SHEET 1 OF 2	REV C

THIS DRAWING IS UNPUBLISHED. RELEASED FOR PUBLICATION 20
 © COPYRIGHT 20 BY TYCO ELECTRONICS CORPORATION. ALL RIGHTS RESERVED.

LOC	DIST	REVISIONS					
GP	00	P	LTR	DESCRIPTION	DATE	DWN	APVD
		-		SEE SHEET 1			



P/N 6651712-2
 W/ VACUUM CAP
 READY FOR TAPE AND REEL



SOLDER LAND GUIDELINES
 SOCKET CONNECTOR

THIS DRAWING IS A CONTROLLED DOCUMENT FOR TYCO ELECTRONICS CORPORATION IT IS SUBJECT TO CHANGE AND THE CONTROLLING ENGINEERING ORGANIZATION SHOULD BE CONTACTED FOR THE LATEST REVISION.		DWN HA/GRZYBOWSKI 30 JAN 2009	Tyco Electronics Harrisburg, PA 17105-3608	
DIMENSIONS: mm		CHK P. DAMATO	NAME SOCKET CONNECTOR ASSEMBLY SURFACE MOUNT MC-P3S0, MINI CROWN EDGE	
TOLERANCES UNLESS OTHERWISE SPECIFIED: 0 PLC ±- 1 PLC ±.5 2 PLC ±.25 3 PLC ±- 4 PLC ±- ANGLES ±2 FINISH		APVD CHAU PERCHERKE 30 JAN 2009	PRODUCT SPEC APPLICATION SPEC	
MATERIAL		WEIGHT	SIZE A200779	CAGE CODE C-6651712
		CUSTOMER DRAWING	SCALE 6:1	SHEET 2 OF 2
				REV C