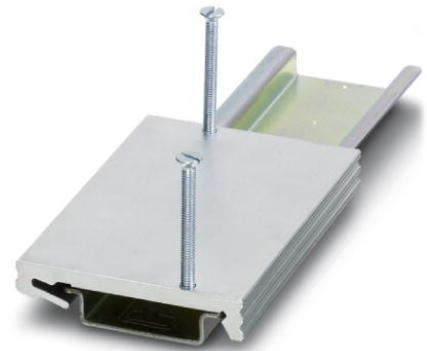



## FL BT ADAPTER

Order No.: 2884949



<http://eshop.phoenixcontact.de/phoenix/treeViewClick.do?UID=2884949>

The DIN rail adapter is required to snap the Bluetooth devices FL BLUETOOTH AP, FL BT MOD IO AP, FL WLAN SPA and FL BT SPA onto a DIN rail. To do this, it is mounted on the respective device using the two enclosed screws.

Commercial data	
GTIN (EAN)	 4 046356 166645
sales group	K004
Pack	1 pcs.
Customs tariff	85176200
Catalog page information	Page 322 (NTK-2010)

#### Product notes

WEEE/RoHS-compliant since:  
04/08/2008

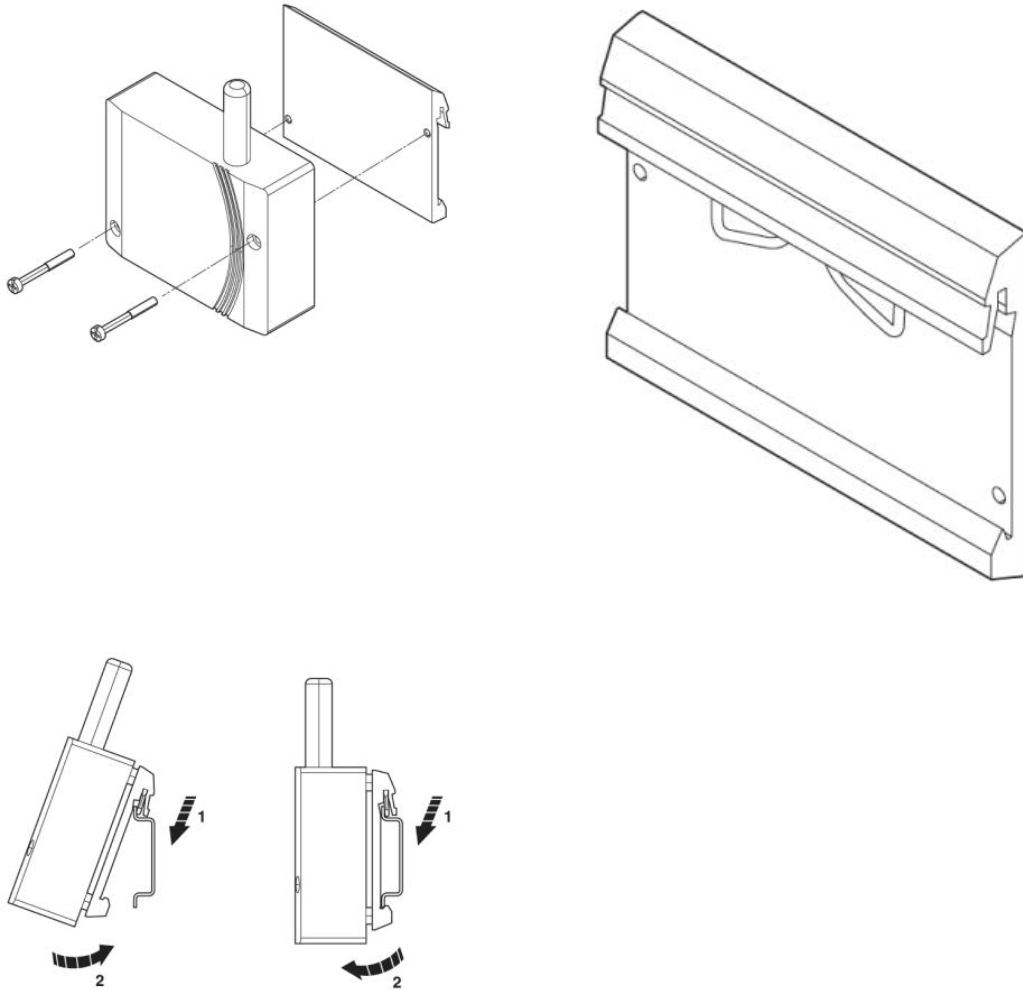


<http://www.download.phoenixcontact.com>  
Please note that the data given here has been taken from the online catalog. For comprehensive information and data, please refer to the user documentation. The General Terms and Conditions of Use apply to Internet downloads.

**Diagrams/Drawings**

Dimensioned drawing

---



**Address**

PHOENIX CONTACT Deutschland GmbH  
Flachmarktstr. 8  
32825 Blomberg, Germany  
Phone +49 5235 3 12000  
Fax +49 5235 3 41200  
<http://www.phoenixcontact.de>



© 2011 Phoenix Contact  
Technical modifications reserved;