

DWG. 10.
SD-35413-002

SIMILAR ITEM

PROJECT NO.

C

B

DO NOT SCALE DRAWING
DIMENSION IN METRIC

8 7 6 5 4 3 2 1

F

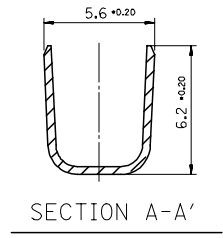
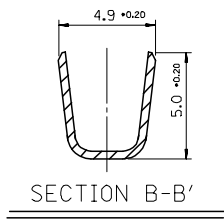
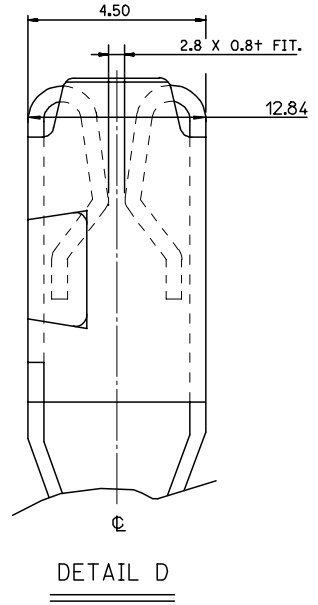
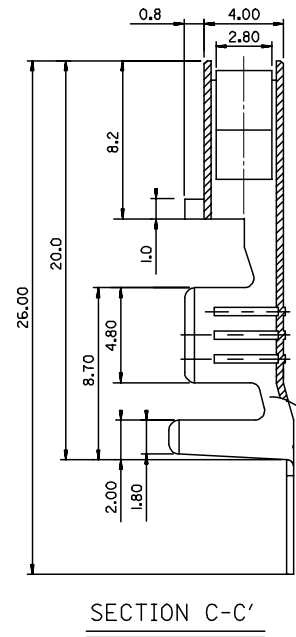
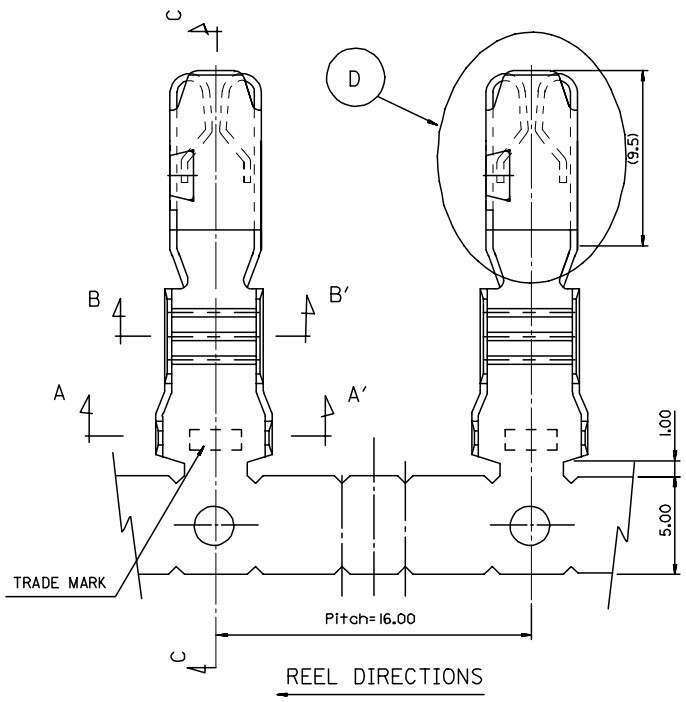
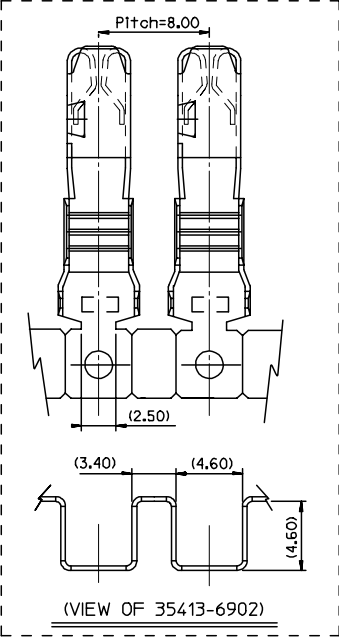
E

D

C

B

A



- NOTES
1. MATERIAL: COPPER ALLOY.
 2. FINISH: PRE-TIN PLATED.
 3. RECOMMENDED LENGTH OF WIRE STRIP: 6.0-6.8.

ENG NO.	PITCH	WIRE SIZE
35413-6402	16.0	5.0sq
35413-6902	8.0	

NEW PRODUCT EC NO.: KOR2006-0098 DRWN: SY.PARK 06/02/06 CHK: BC.YOON 06/02/06 APPR: SH.CHOI 06/02/06	QUALITY SYMBOLS MAJOR = 0 CRITICAL C = 0	GENERAL TOLERANCES: (UNLESS SPECIFIED)		SCALE 4/1	DESIGN UNITS <input checked="" type="checkbox"/> mm <input type="checkbox"/> INCH	THIRD ANGLE PROJECTION <input checked="" type="checkbox"/>	DIMENSIONS: <input type="checkbox"/> mm <input type="checkbox"/> INCH <input checked="" type="checkbox"/> mm ONLY		SHT	REV
		4 PLACES ±0.	±	DRAWN BY & DATE SY.PARK 06/02/06		TITLE: MINI FUSE TERMINAL				
		3 PLACES ±0.	±	CHECKED BY & DATE BC.YOON 06/02/06		APPROVED BY & DATE SH.CHOI 06/02/06				
		2 PLACES ±0.2	±	CAD FILENAME SD35413-002.mi		MATERIAL NO. SEE TABLE	DRAWING NO. SD-35413-002	SHEET NO. 1/1		
1 PLACE ±0.	±	ANGULAR ± 1.0 °		THIS DRAWING CONTAINS INFORMATION THAT IS PROPRIETARY TO MOLEX INCORPORATED AND SHOULD NOT BE USED WITHOUT WRITTEN PERMISSION.						
DRAFT WHERE APPLICABLE MUST REMAIN WITHIN DIMENSIONS										SIZE B

8 7 6 5 4 3 2 1

MX-A3