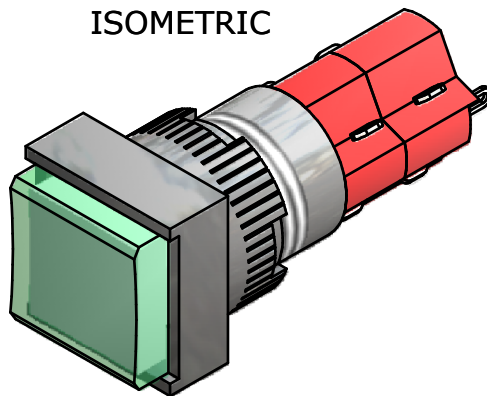
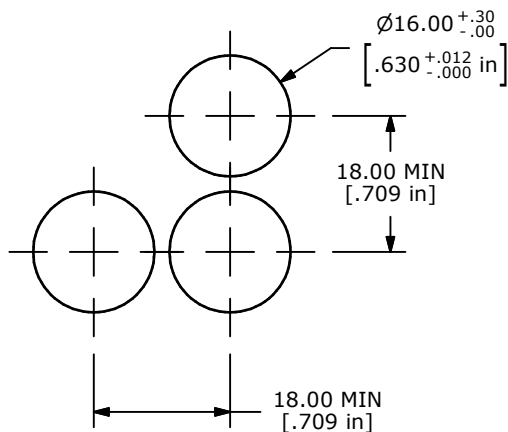


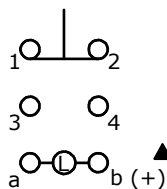
ISOMETRIC



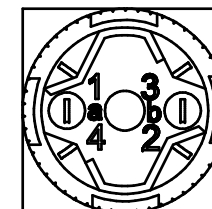
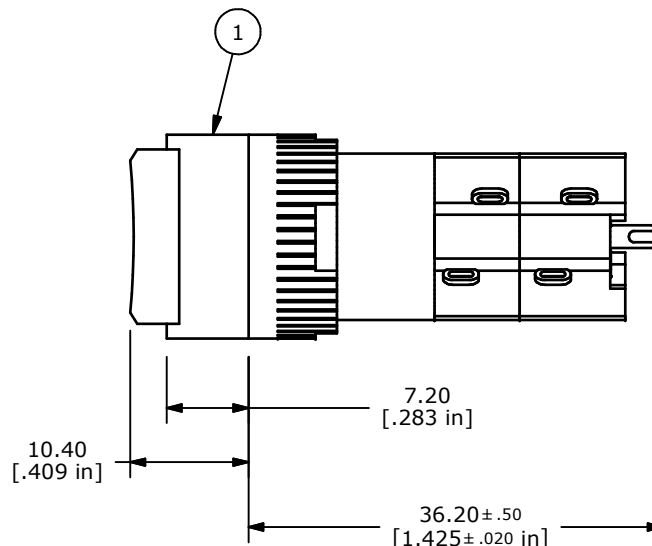
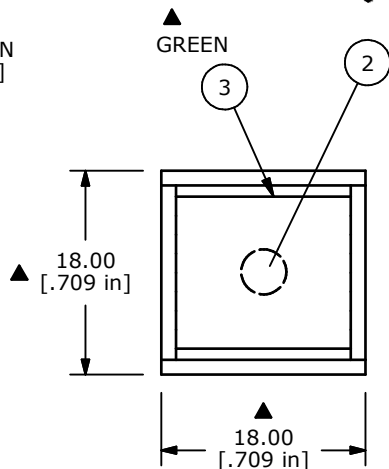
PARTS LIST			
ITEM	QTY	PART NUMBER	DESCRIPTION
1	1	F040020	D16EES12
2	1	F050419	50-004-19 12V GREEN LED
3	1	F050302	50-003-02 TRANSPARENT GREEN SQUARE (CONCAVE) LENS



PANEL MOUNTING



CONTACT CONFIGURATION



NOTE:

1. ALL DIMENSIONS IN MM [INCH]
2. GENERAL TOLERANCE: X.X=±0.4  
X.XX=±0.25
3. TERMINAL NUMBERS FOR REF ONLY
4. CONTACT RATING: 5A@ 250VAC  
8A@ 125VAC  
6A@ 24VDC
5. MECHANICAL LIFE: 2,000,000 OPERATIONS
6. ELECTRICAL LIFE: 50,000 OPERATIONS
7. INSULATION RESISTANCE: 1,000 MEGA-OHM MIN.
8. OPERATING TEMP.: -25°C to 55°C
- ▲ 9. LAMP VOLTAGE: 12VDC RED LED
10. ▲ DENOTES CRITICAL PARAMETER.
11. DEGREE OF PROTECTION: IP 40
12. MOUNTING PANEL: 0.5 - 5.0 mm THICK
13. PACKAGE: BOX/20 PCS
14. 2002/95/EC (ROHS) COMPLIANT



TITLE D16EES12JGRNGRN

A	18816	Release For Production	3/17/10	BLR
REV	PCR NO	DESCRIPTION	DATE	BY

SCALE	DATE	DR	DWG	REV
1.5:1	3/17/2010	BLR	XF0816P	A

THE INFORMATION CONTAINED IN THIS DOCUMENT IS PROPRIETARY TO E-SWITCH AND IS NOT TO BE COPIED OR TRANSFERRED