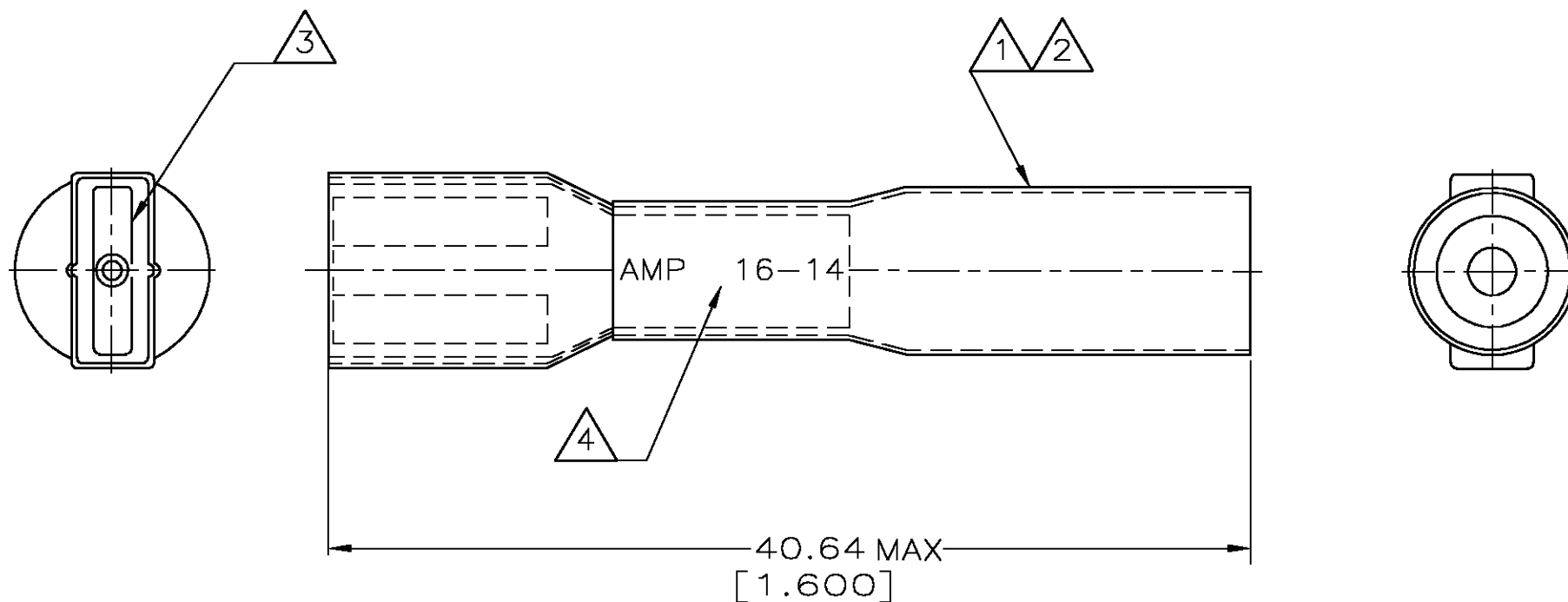


THIS DRAWING IS UNPUBLISHED. RELEASED FOR PUBLICATION ,19 .
 © COPYRIGHT 19 BY AMP INCORPORATED. ALL INTERNATIONAL RIGHTS RESERVED.

LOC	DIST	P	F	REVISIONS			DATE	APPD
G	14			ZONE	LTR	DESCRIPTION		
					F	REV PER 0G3A-0001-03	07JAN03	JR TM

AMP
 WIRE RANGE
 16-14 AWG
 SOLID OR STRANDED

- ① SEALANT THROUGHOUT SHRINKABLE INSUL
- ② HEAT SHRINKABLE TUBING MAY BE IRREGULAR IN SHAPE
- ③ RCPT FOR 6.35 x 0.81mm [.250 x .032] SERIES FASTON TAB
- ④ STAMP AMP 16-14 APPROX AS SHOWN



25	LOOSE PIECE	8-55889-3
1000	LOOSE PIECE	55889-1
QTY	PACKAGE TYPE	PART NO
DR 6/93 S S GOULDEN	AMP AMP Incorporated Harrisburg, PA 17105-3608	
CHK 6/93 R HERSEY	NAME PRE-INSULATED FASTON RECEPTACLE ASSY 250 SERIES, HEAT SHRINKABLE SEALABLE SLEEVE	
APPD 6/93 B BARE	SIZE B	CAGE CODE 00779
APPD 6/93 M ELLIS	DRAWING NO C-55889	
PRODUCT SPEC -	SCALE 4:1	SHEET 1 OF 1
APPLICATION SPEC -		
WEIGHT -		

AMP INCORPORATED CUSTOMER SERVICE SYSTEMS		MAX RECOMMENDED OPERATING TEMPERATURE: -55° C TO 125° C
FOR ADDITIONAL PRODUCT INFORMATION OR COPIES OF DRAWINGS AND TECHNICAL DOCUMENTS	PRODUCT INFORMATION CENTER 1-800-522-6752	VOLTAGE RATING: 600V MAX (BUILDING WIRING) 1000V MAX (FIXTURES & SIGNS)
FOR APPLICATION TOOLING INFORMATION	TOOLING ASSISTANCE CENTER 1-800-722-1111	CIRCULAR MIL AREA: 1.04-2.62mm ² [2050-5180]
FOR ORDER ENTRY	1-800-526-5142	THIS DRAWING IS A CONTROLLED DOCUMENT FOR AMP INCORPORATED. IT IS SUBJECT TO CHANGE AND THE CONTROLLING ENGINEERING ORGANIZATION SHOULD BE CONTACTED FOR THE LATEST REVISION.