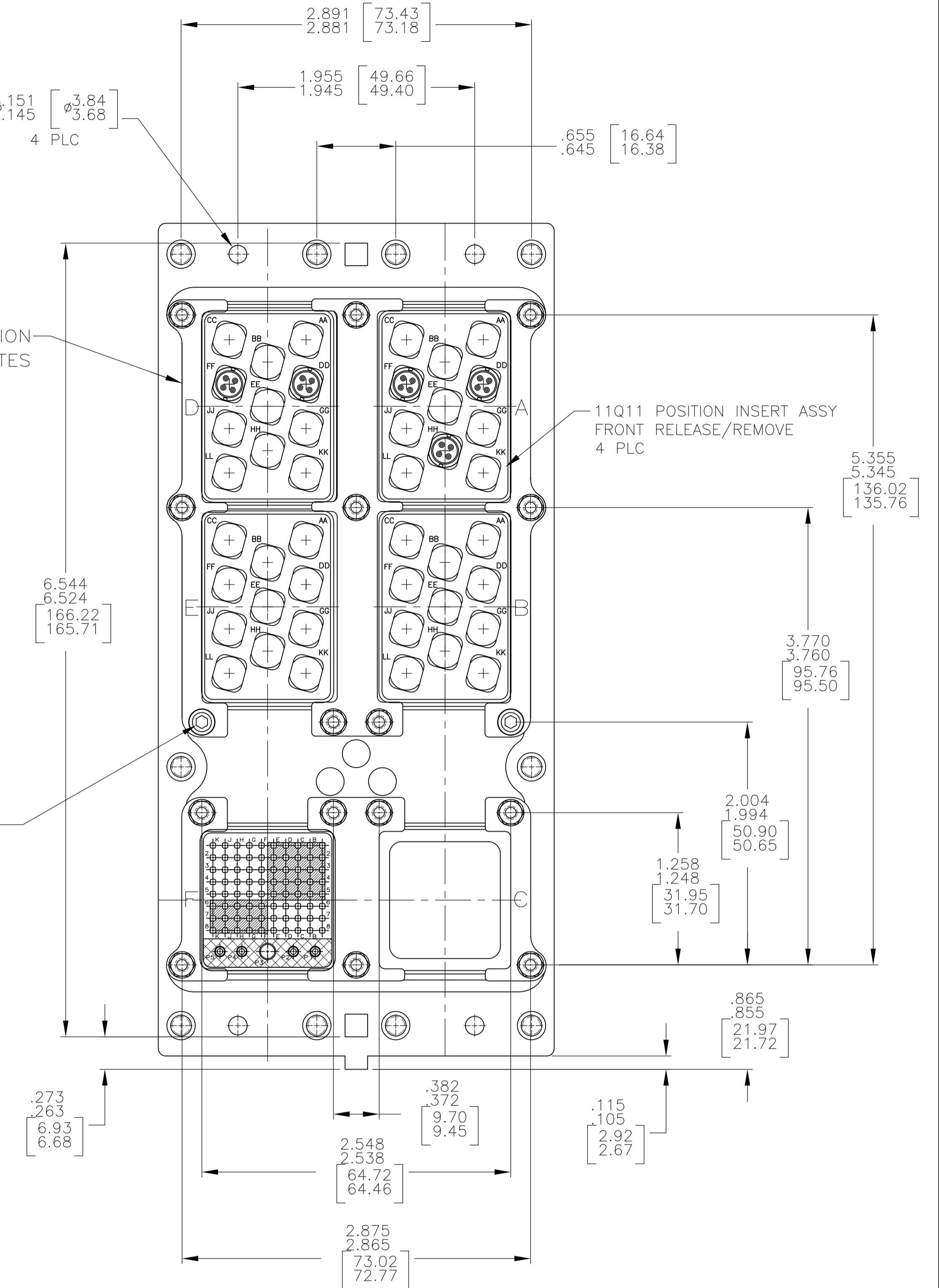
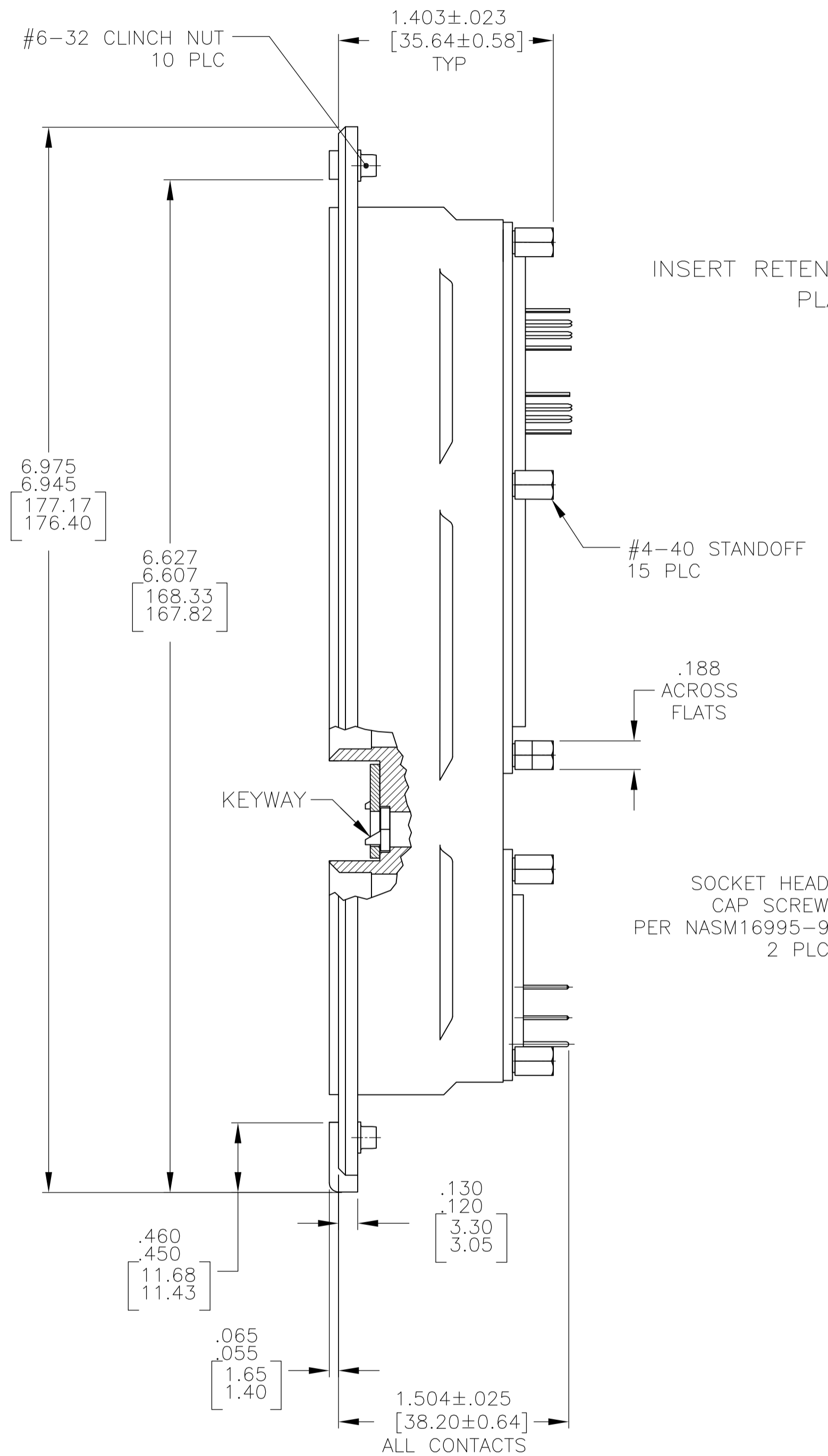
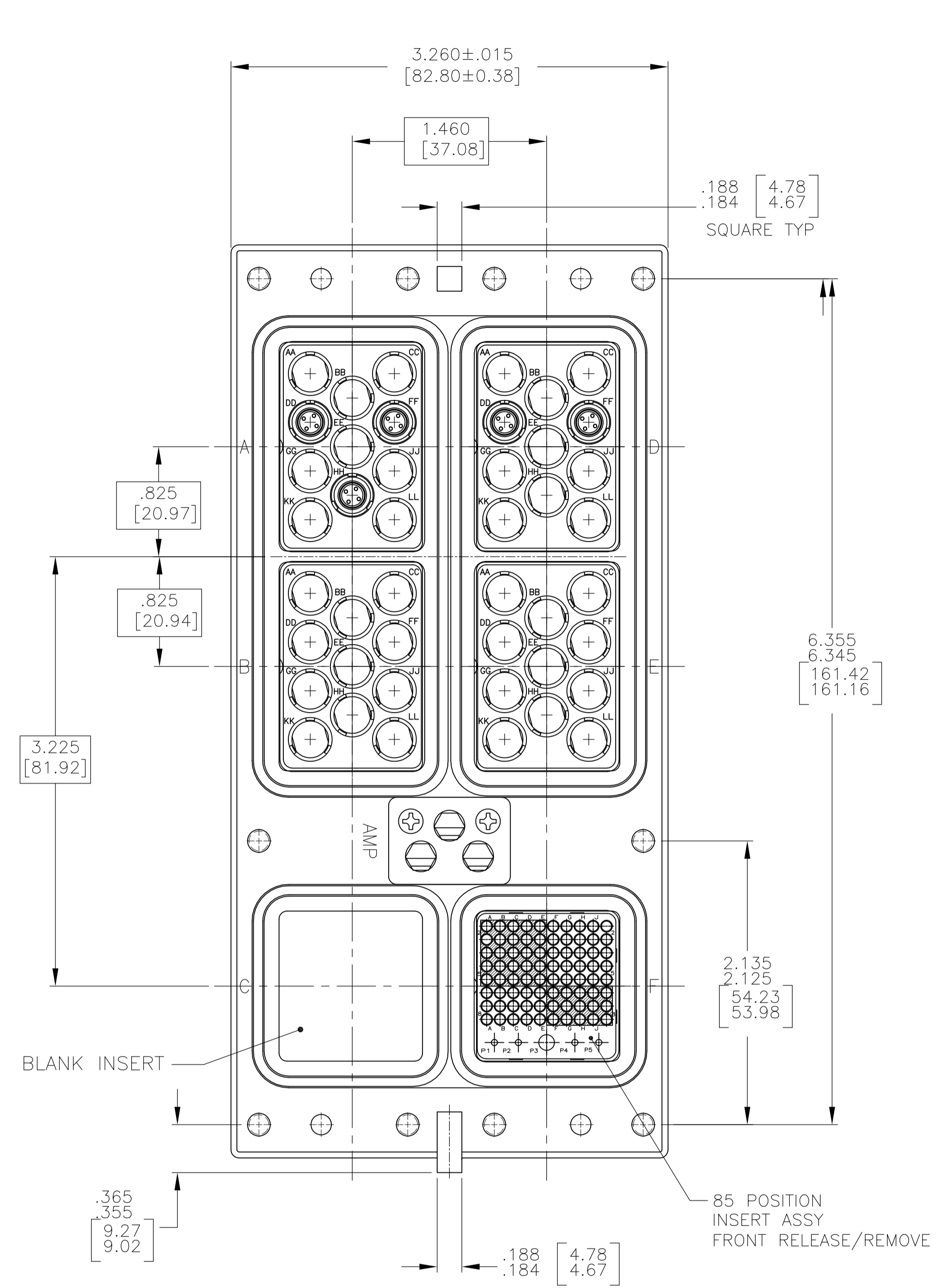


LOC		DIST		REVISIONS			
P	LTR	DESCRIPTION	DATE	DWN	APVD	CT	WB
J	REV PER ECO	11-016803	8-16-11	CT	WB		

- CONNECTOR DIMENSIONS ARE PER ARINC 600 SPECIFICATION
- KEYING SHOWN IN POSITION "01" FOR REFERENCE ONLY. SEE TABLE FOR KEYING POSITION. FOR POSITION "00" KEYING SHIPPED UNASSEMBLED.
- DUST COVER INSTALLED PRIOR TO SHIPPING (2 PLC) NOT SHOWN. DUST COVER IS MADE OF AN ESD MATERIAL.
- RETAINING SCREWS (2 PLC) AND STANDOFFS (15 PLC) TO USE A SINGLE NAS620C4L WASHER AND HAVE LOCTITE 271 APPLIED WHEN INSTALLED INTO THE SHELL.
- NON-COUNTERSUNK RETENTION PLATES TO BE USED TO RETAIN THE INSERTS



COMPONENT	MATERIAL	FINISH
SHELL	DIE CAST ALUMINUM PER ASTM-B-85	CHEMICAL CONVERSION COATING PER MIL-C-5541, CLASS 1A
RETENTION PLATES	ALUMINUM ALLOY PER ASTM-B-209	CHEMICAL CONVERSION COATING PER MIL-C-5541, CLASS 1A
SCREWS AND LOCKWASHERS	STEEL OR STAINLESS STEEL	CHROMATE OVER ZINC OR PASSIVATED
POLARIZING KEYS	ZINC ALLOY PER ASTM-B-86	-
85 POSN. INSERT	THERMOSET	-
SZ 16, 20 & 22 FILLER PLUGS	TEFLON	-
QUADRAX FILLER PLUGS	ALUMINUM ALLOY	ELECTROLESS NICKEL PER MIL-C-26074 CLASS 4, GRADE B
POLARIZING KEY RETAINING PLATE	ALUMINUM ALLOY PER ASTM-B-209	BLUE ANODIZED PER MIL-A-8625
11Q11 & BLANK INSERTS	ALUMINUM ALLOY PER ASTM-B-209	ELECTROLESS NICKEL PER MIL-C-26074 CLASS 4, GRADE B

KEYING POSITION	CONTACTS & FILLER PLUGS INCLUDED AND INSTALLED (SELECT LOADED PER SHEET #2)	PART NUMBER
"27"	MODULE A: PART NO. 1-1445626-0 (SZ 8 QUADRAX; QTY = 3) PART NO. 1663983-1 FILLER PLUG (QTY = 8) MODULE B: PART NO. 1663983-1 FILLER PLUGS INSTALLED (QTY = 6) MODULE C: NONE MODULE D: PART NO. 1-1445626-0 (SZ 8 QUADRAX; QTY = 2) PART NO. 1663983-1 FILLER PLUG (QTY = 9) MODULE E: PART NO. 1663983-1 FILLER PLUGS INSTALLED (QTY = 5) MODULE F: PART NO. 2-211431-1 (SZ 22 SKT CONTACT; QTY = 8) PART NO. 4-448138-2 (SZ 20 POSTED PIN CONTACT QTY = 2) PART NO. 3-448139-5 (SZ 16 POSTED PIN CONTACT QTY = 1) PART NO. 1663767-1 (SZ 22 FILLER PLUG QTY = 72) PART NO. 1663767-2 (SZ 20 FILLER PLUG QTY = 2) PART NO. 211600-2 (ESD DUST COVER QTY = 2)	2101423-1

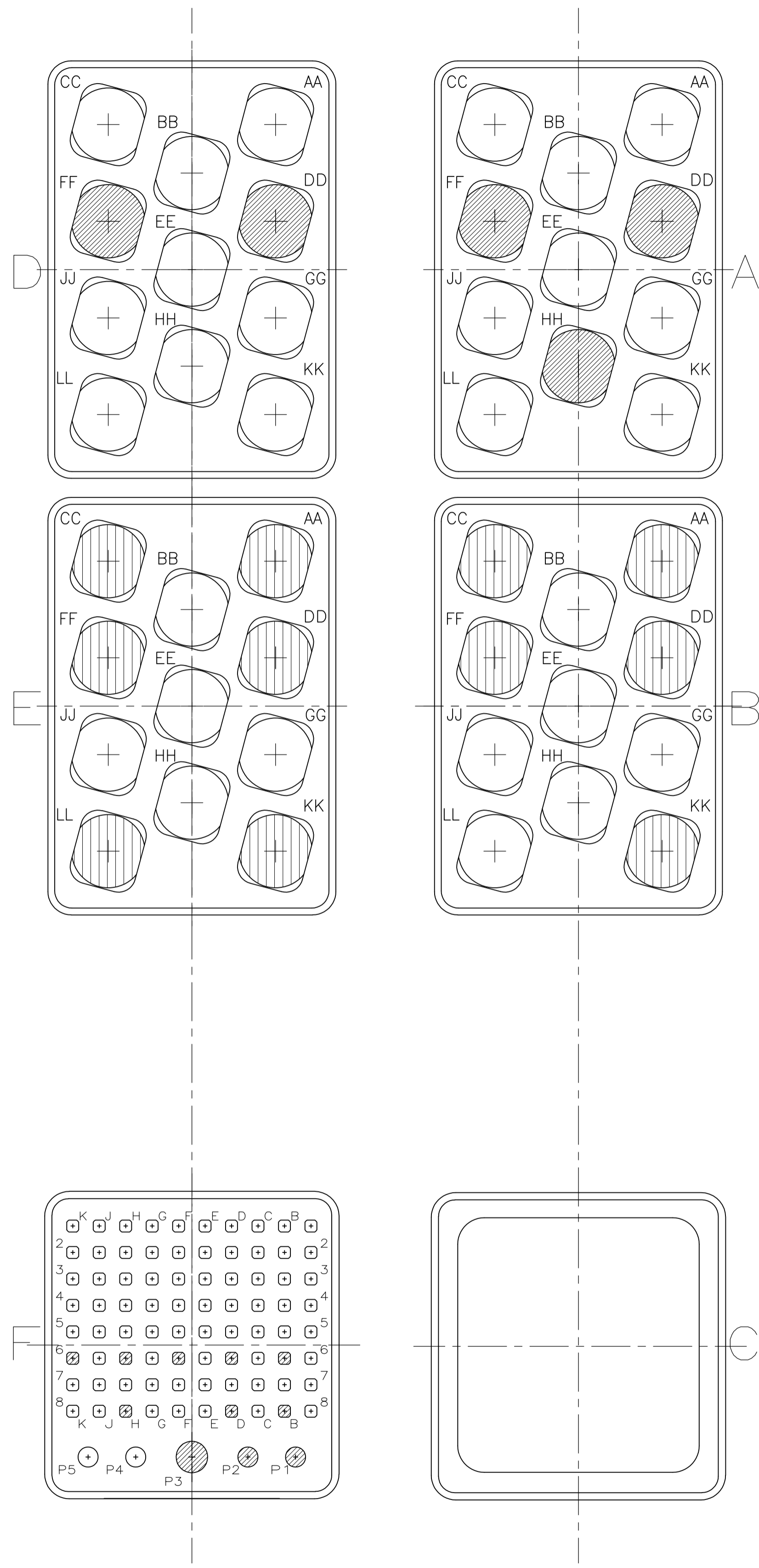
THIS DRAWING IS A CONTROLLED DOCUMENT.

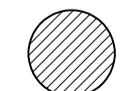


DIMENSIONS: INCHES	TOLERANCES UNLESS OTHERWISE SPECIFIED:	0 PLC ± .005	1 PLC ± .005	2 PLC ± .005	3 PLC ± .005	4 PLC ± .005	ANGLES ± .005
MATERIAL: SEE TABLE	FINISH: SEE TABLE	WEIGHT: --	SCALE: 1.5:1	SHEET: 1 OF 2	REV: J	CUSTOMER DRAWING	


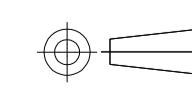
**STE** TE Connectivity  
 RCPT ASSY, SIZE 3, ARINC 600 (11Q11/11Q11/BLANK/11Q11/11Q11/85)  
 SIZE: A1  
 CAGE CODE: 00779  
 DRAWING NO: 2101423  
 DATE: 7-13-09  
 APVD: K. THACKSTON  
 NAME: K. THACKSTON  
 PRODUCT SPEC: --  
 APPLICATION SPEC: --  
 RESTRICTED TO: --

THIS DRAWING IS UNPUBLISHED. RELEASED FOR PUBLICATION. ALL RIGHTS RESERVED.

LOC		DIST		REVISIONS			
P	LYR	DESCRIPTION	DATE	DNW	APVD		
-	-	SEE SHEET 1	-	-	-	-	-



-  = CONTACT INSTALLED
-  = FILLER PLUG INSTALLED
-  = OPEN CAVITY

THIS DRAWING IS A CONTROLLED DOCUMENT.		DWN C.C.THOMAS 7-13-09 CHK K.THACKSTON 7-13-09 APVD K.THACKSTON 7-13-09	 TE Connectivity	
DIMENSIONS: INCHES 		TOLERANCES UNLESS OTHERWISE SPECIFIED: 0. PLC ± - 1. PLC ± - 2. PLC ± - 3. PLC ± - 4. PLC ± - ANGLES ± -		NAME RCPT ASSY, SIZE 3, ARINC 600 (11Q11/11Q11/BLANK/11Q11/11Q11/85)
MATERIAL SEE TABLE		APPLICATION SPEC WEIGHT SIZE A1		DRAWING NO C=2101423 RESTRICTED TO SCALE 1.5:1 SHEET 2 OF 2 REV J
		CUSTOMER DRAWING		