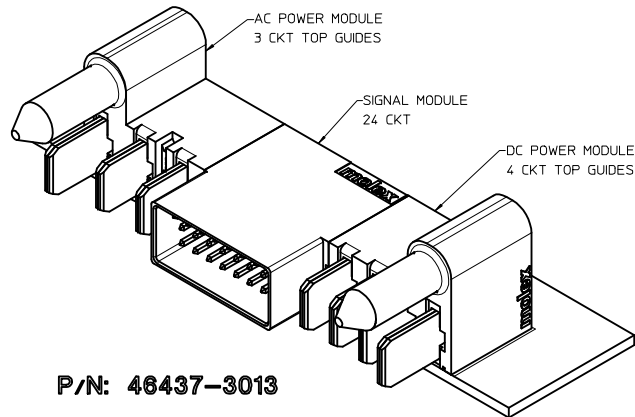
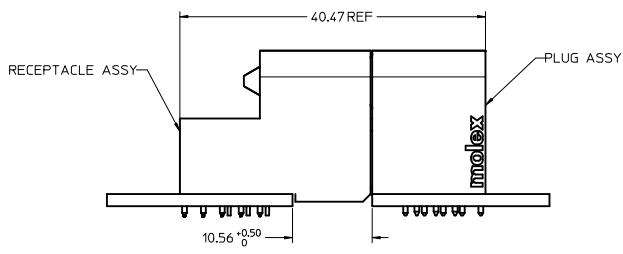
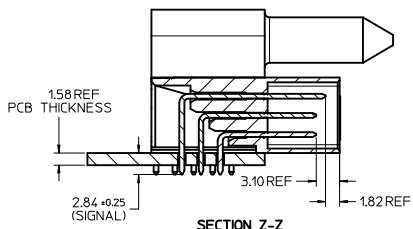
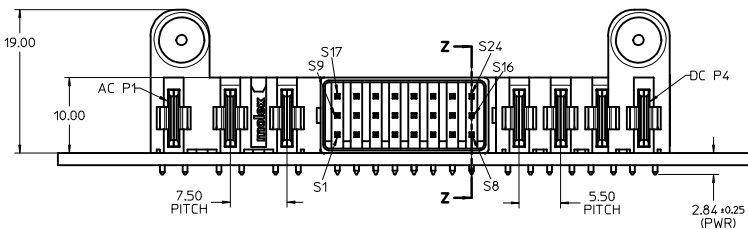


RECOMMENDED PCB LAY-OUT AND KEEP-OUT ZONE



P/N: 46437-3013

NOTES:

- MATERIAL:
  - HOUSINGS: LCP UL94, V-0, COLOR: BLACK.
  - TERMINALS: COPPER ALLOY.
  - PLATING: 0.00127 NICKEL OVERALL WITH 0.00254 SELECTIVE TIN ON SOLDER TAILS AND 0.000762 SELECTIVE GOLD ON CONTACT AREA.
- ASSEMBLIES PACKED IN TRAYS, SPO: TBD
- PC BOARD REQUIRES SOLDER THRU HOLES. REFER TO PS-46436-100 FOR DETAILS
- PRODUCT SPEC: PS-46436-100.
- APPLICATION SPEC: AS-46436-100.
- PRODUCT TO MEET RoHS REQUIREMENTS.
- ASSEMBLY MATES TO MOLEX RECEPTACLE ASSEMBLY P/N 46436-3013 OR 46562-3013.

RELEASED IEC NO: UCP2009-2546 DRAWN: JUILLES 2009/05/05 CHKD: KJKH 2009/05/05 APPR: APATEL 2009/05/05	DESCRIPTION RA PLUG ASSY	QUALITY SYMBOLS		GENERAL TOLERANCES (UNLESS SPECIFIED)		DIMENSION STYLE MM ONLY		SCALE NTS	DESIGN UNITS METRIC	THIRD ANGLE PROJECTION																							
				<table border="1"> <tr> <th>mm</th> <th>INCH</th> </tr> <tr> <td>4 PLACES ± ---</td> <td>± ---</td> </tr> <tr> <td>3 PLACES ± ---</td> <td>± ---</td> </tr> <tr> <td>2 PLACES ± 0.25</td> <td>± ---</td> </tr> <tr> <td>1 PLACE ± 0.25</td> <td>± ---</td> </tr> <tr> <td colspan="2">ANGULAR ± 1/2°</td> </tr> </table>		mm	INCH	4 PLACES ± ---	± ---	3 PLACES ± ---	± ---	2 PLACES ± 0.25	± ---	1 PLACE ± 0.25	± ---	ANGULAR ± 1/2°		<table border="1"> <tr> <td>DRAWN BY</td> <td>DATE</td> </tr> <tr> <td>KJKH</td> <td>2009/03/11</td> </tr> <tr> <td>CHECKED BY</td> <td>DATE</td> </tr> <tr> <td>KJKH</td> <td>2009/03/11</td> </tr> <tr> <td>APPROVED BY</td> <td>DATE</td> </tr> <tr> <td>SHONG</td> <td></td> </tr> </table>		DRAWN BY	DATE	KJKH	2009/03/11	CHECKED BY	DATE	KJKH	2009/03/11	APPROVED BY	DATE	SHONG		TITLE <b>RA PLUG ASSY TEN60 POWER TG-3AC-24S-4P-TG</b>	
		mm	INCH																														
		4 PLACES ± ---	± ---																														
3 PLACES ± ---	± ---																																
2 PLACES ± 0.25	± ---																																
1 PLACE ± 0.25	± ---																																
ANGULAR ± 1/2°																																	
DRAWN BY	DATE																																
KJKH	2009/03/11																																
CHECKED BY	DATE																																
KJKH	2009/03/11																																
APPROVED BY	DATE																																
SHONG																																	
DRAFT WHERE APPLICABLE MUST REMAIN WITHIN DIMENSIONS						MATERIAL NO. <b>46437-3013</b>		MOLEX INCORPORATED		SHEET NO. 1 OF 1																							