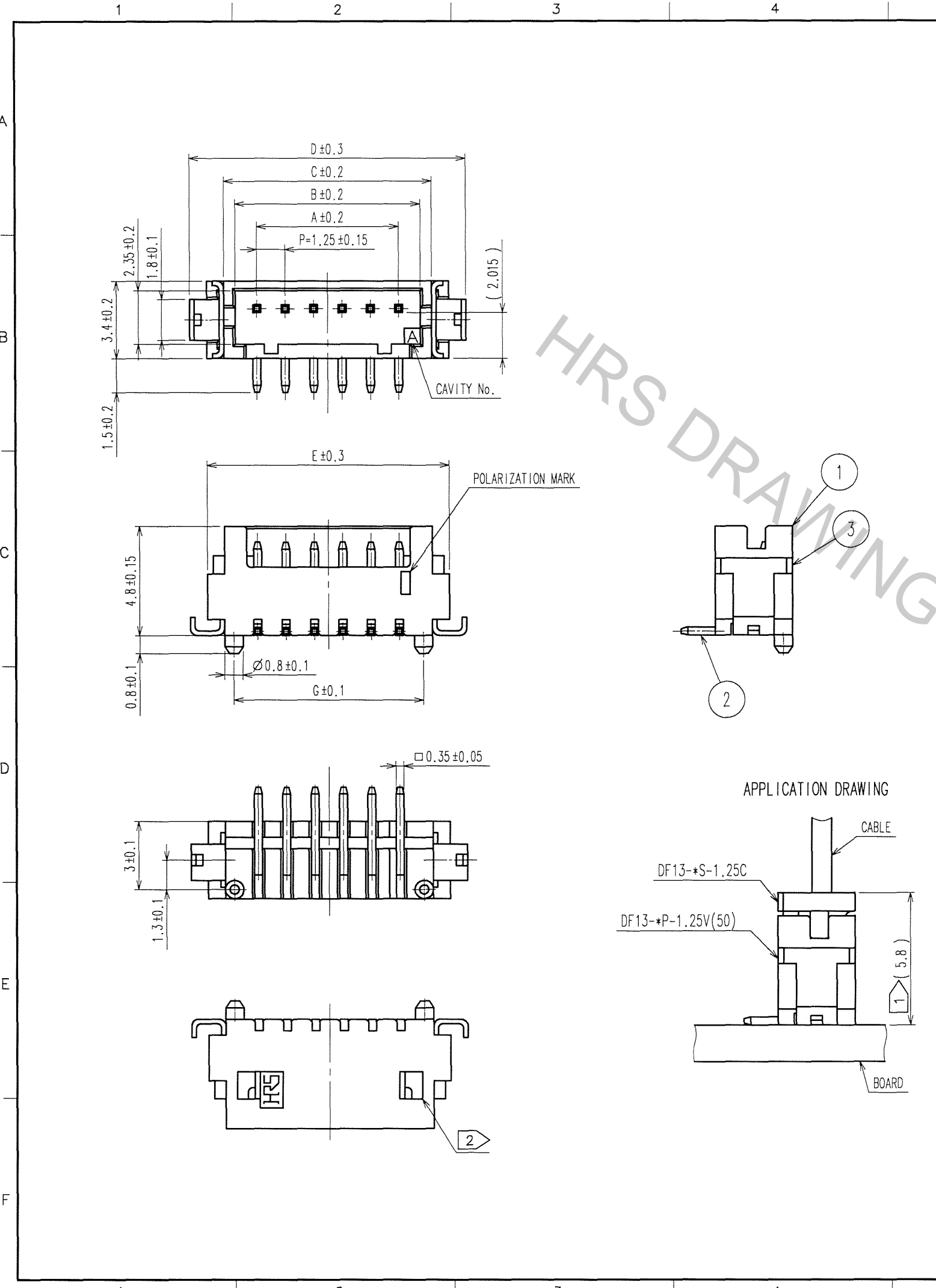
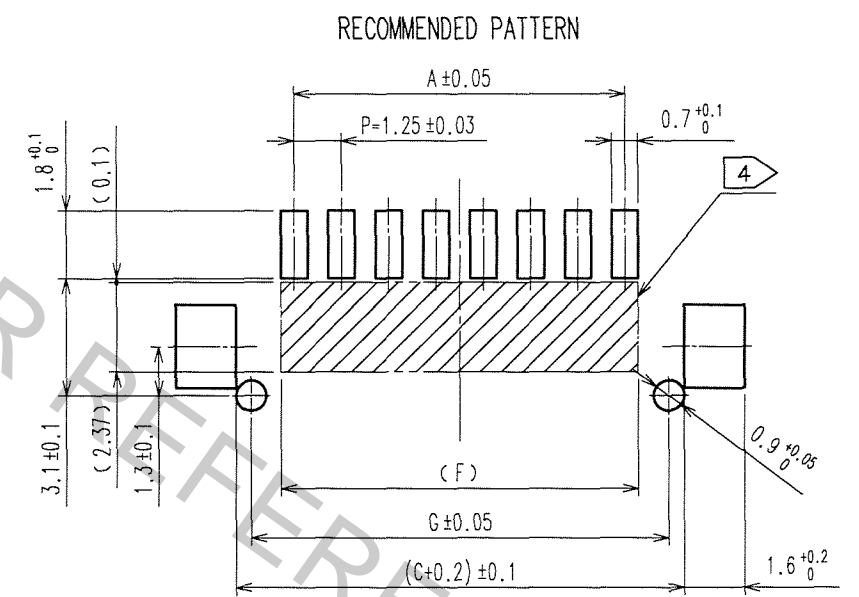


Apr.1.2017 Copyright 2017 HIROSE ELECTRIC CO., LTD. All Rights Reserved.



COUNT	DESCRIPTION OF REVISIONS	BY	CHKD	DATE	COUNT	DESCRIPTION OF REVISIONS	BY	CHKD	DATE
1	DIS-H-001907	T.K	H.V	07.04.02					

CODE No.	PART No.	NUMBER OF CONTACT	A	B	C	D	E	F	G	△
CL536-0201-3-50	DF13- 2P-1.25V(50)	2	1.25	3.15	4.15	7.15	5.65	1.95	3.35	
CL536-0202-6-50	DF13- 3P-1.25V(50)	3	2.50	4.40	5.40	8.40	6.90	3.20	4.60	
CL536-0203-9-50	DF13- 4P-1.25V(50)	4	3.75	5.65	6.65	9.65	8.15	4.45	5.85	
CL536-0204-1-50	DF13- 5P-1.25V(50)	5	5.00	6.90	7.90	10.90	9.40	5.70	7.10	
CL536-0205-4-50	DF13- 6P-1.25V(50)	6	6.25	8.15	9.15	12.15	10.65	6.95	8.35	
CL536-0206-7-50	DF13- 7P-1.25V(50)	7	7.50	9.40	10.40	13.40	11.90	8.20	9.60	
CL536-0207-0-50	DF13- 8P-1.25V(50)	8	8.75	10.65	11.65	14.65	13.15	9.45	10.85	
CL536-0208-2-50	DF13- 9P-1.25V(50)	9	10.00	11.90	12.90	15.90	14.40	10.70	12.10	
CL536-0209-5-50	DF13-10P-1.25V(50)	10	11.25	13.15	14.15	17.15	15.65	11.95	13.35	
CL536-0210-4-50	DF13-11P-1.25V(50)	11	12.50	14.40	15.40	18.40	16.90	13.20	14.60	
CL536-0211-7-50	DF13-12P-1.25V(50)	12	13.75	15.65	16.65	19.65	18.15	14.45	15.85	
CL536-0213-2-50	DF13-14P-1.25V(50)	14	16.25	18.15	19.15	22.15	20.65	16.95	18.35	
CL536-0214-5-50	DF13-15P-1.25V(50)	15	17.50	19.40	20.40	23.40	21.90	18.20	19.60	



- NOTES
- 1 WHEN THIS CONNECTOR MATES WITH DF13-\*S-1.25C, THE MATING HEIGHT IS 5.8mm.
  - 2 WHEN THIS CONNECTOR HAS TWO OR THREE CONTACTS, THE LOCK SHALL BE SET AT THE CENTER OF HOUSING. IF MORE THAN FOUR, THE TWO LOCKS SHALL BE SET AS SHOWN ON THIS DRAWING.
  - 3 LEAD CO-PLANARITY INCLUDING REINFORCED METAL FITTINGS SHALL BE WITHIN 0.1mm. AREA TO PICK AND PLACE.
  - 4 PROHIBITED AREA OF PATTERN WITHOUT RESIST COATING.

2	BRASS	SURFACE:GOLD PLATED 0.2μm min UNDER PLATING:NICKEL PLATED 0.5μm min	5	S.PVC	GRAY, STOPPER
1	POLYAMIDE	UL94V-0, BEIGE	4	R.PVC	ANTI-ELECTRIFICATION, CLEAR, STICK
			3	PHOSPHOR BRONZE	SURFACE:TIN PLATED 1μm min
NO.	MATERIAL	FINISH, REMARKS	NO.	MATERIAL	FINISH, REMARKS

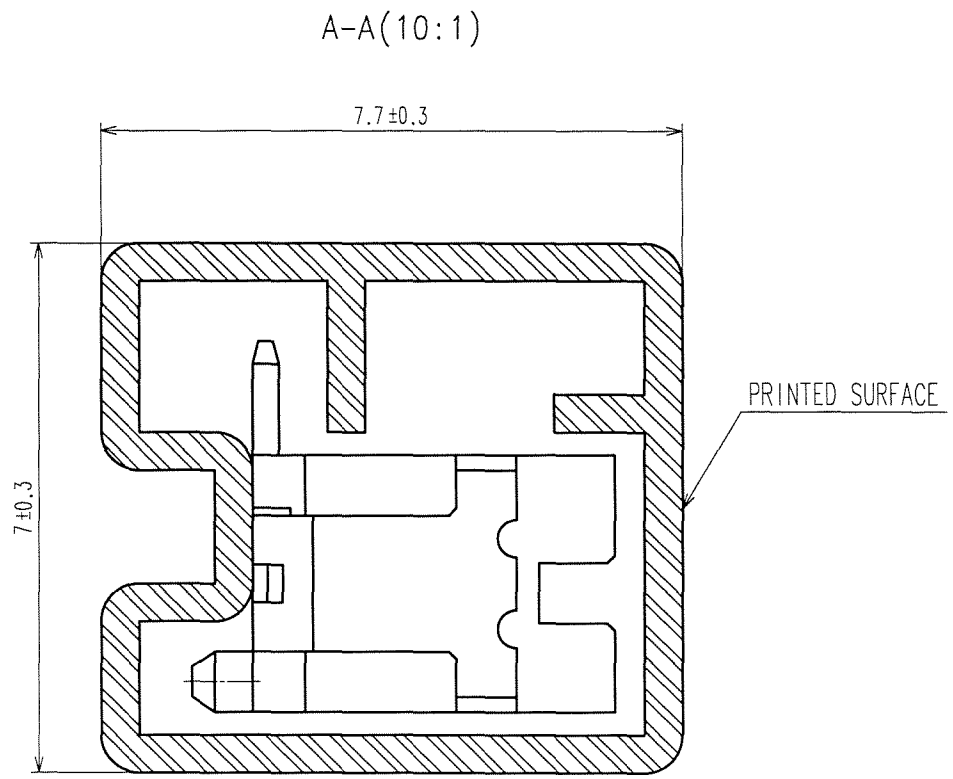
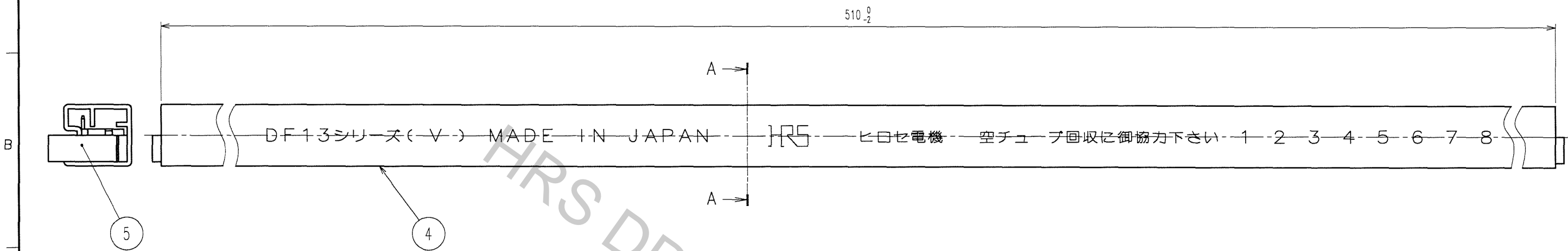
CODE NO. (OLD)	DRAWN	DESIGNED	CHECKED	APPROVED	RELEASED
	A.Miura	T.Kumazawa	H.Umehara	T.Oma	
	'06.05.09	'06.05.10	'06.05.11	'06.05.11	

SCALE	5 : 1	DRAWING NO.	EDC3-083664-02	PART NO.	DF13-*P-1.25V(50)
UNITS	mm	HIROSE ELECTRIC CO., LTD		CODE NO.	CL536-

TO

Apr.1.2017 Copyright 2017 HIROSE ELECTRIC CO., LTD. All Rights Reserved.

COUNT	DESCRIPTION OF REVISIONS	BY	CHKD	DATE	COUNT	DESCRIPTION OF REVISIONS	BY	CHKD	DATE
△				..	△				..
△				..	△				..
△				..	△				..



CODE No.	PART No.	PACKING AMOUNT
CL536-0201-3-50	DF13- 2P-1.25V(50)	67
CL536-0202-6-50	DF13- 3P-1.25V(50)	57
CL536-0203-9-50	DF13- 4P-1.25V(50)	49
CL536-0204-1-50	DF13- 5P-1.25V(50)	44
CL536-0205-4-50	DF13- 6P-1.25V(50)	39
CL536-0206-7-50	DF13- 7P-1.25V(50)	36
CL536-0207-0-50	DF13- 8P-1.25V(50)	33
CL536-0208-2-50	DF13- 9P-1.25V(50)	30
CL536-0209-5-50	DF13-10P-1.25V(50)	28
CL536-0210-4-50	DF13-11P-1.25V(50)	26
CL536-0211-7-50	DF13-12P-1.25V(50)	24
CL536-0213-2-50	DF13-14P-1.25V(50)	21
CL536-0214-5-50	DF13-15P-1.25V(50)	20

NOTES 5 :MAGAZINE CASE HAS ONE STOPPER AT EACH END.  
 6 :WARPAGE, BENT OF THE MAGAZINE CASE SHALL BE ALLOWED ±2mm PER 510mm.  
 7 :THESE CONNECTORS SHALL BE ON SALED IN ACCORDANCE WITH THE MULTIPLE QUANTITY OF PACKING AMOUNT.

TO

CODE NO. (OLD)	DRAWN A.Miura '06.05.09	DESIGNED T.Kumazawa '06.05.10	CHECKED H.Umehara '06.05.11	APPROVED T.Oma '06.05.11	RELEASED ..
SCALE FREE	DRAWING NO. EDC3-083664-02		PART NO. DF13-*P-1.25V(50)		
UNITS mm	HRS HIROSE ELECTRIC CO., LTD		CODE NO. CL536-		2