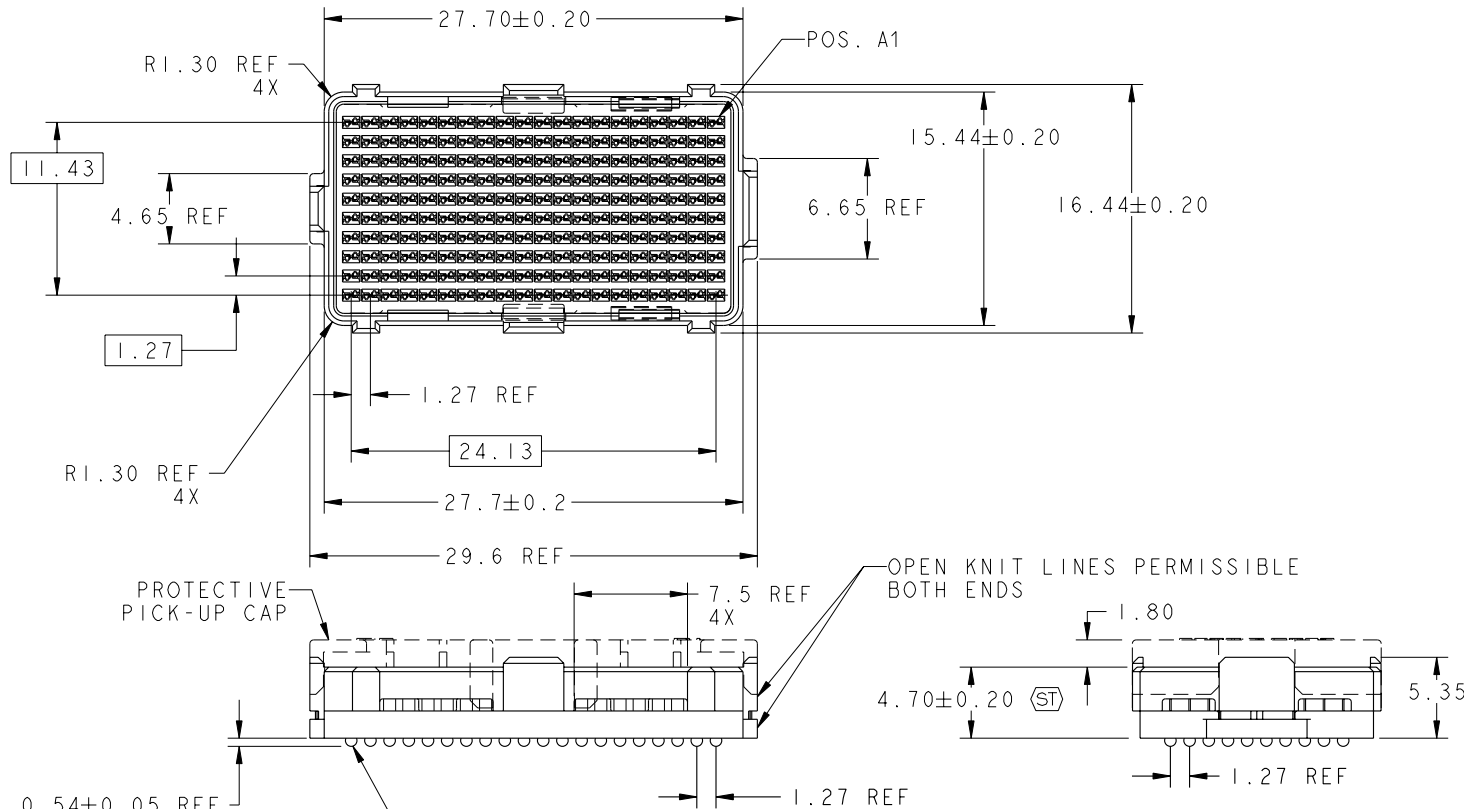


PRODUCT NO.	PICK-UP CAP	CONTACT PLATING	SOLDER BALL
10014760-001	YES	15u" (.38um)Au OVER Ni	SnPb
10014760-001LF			SnAgCu LEAD FREE ⑥⑦
10014760-101	YES	30u" (.76um)Au OVER Ni	SnPb
10014760-101LF			SnAgCu LEAD FREE ⑥⑦
10014760-201	YES	SEE NOTE 2	SnPb
10014760-201LF			SnAgCu LEAD FREE ⑥⑦



0.54±0.05 REF  
APPLIES AT  
EACH POSITION

Ø0.760  
SOLDER BALLS  
SEE NOTE 3  
200 X

mat'l code				SEE NOTE 1		tolerances unless otherwise specified		CUSTOMER		FCI	
ltr	ecn no.	dr	date	linear	0.X ±0.3	projection		COPY		www.fciconnect.com	
A	V21490	DAI	09-30-02	angles	0.XX ±0.10	MM		title		6mm RECEPTACLE ASSY	
B	V03-0682	DAI	06/20/03		0.XXX ±0.050	scale		product family		MEG-ARRAY	
C	V04-0940	VS	11/05/04	chr	0° ±2°	2:1		size		dwg no	
D	V06-0560	LP	2006/07/14	appr	D.WHITING 9-30-02			A		10014760	
sheet index		revision sheet	D 1	D 2	D 3	D 4			code		213
			1	2	3	4			sheet		1 of 4

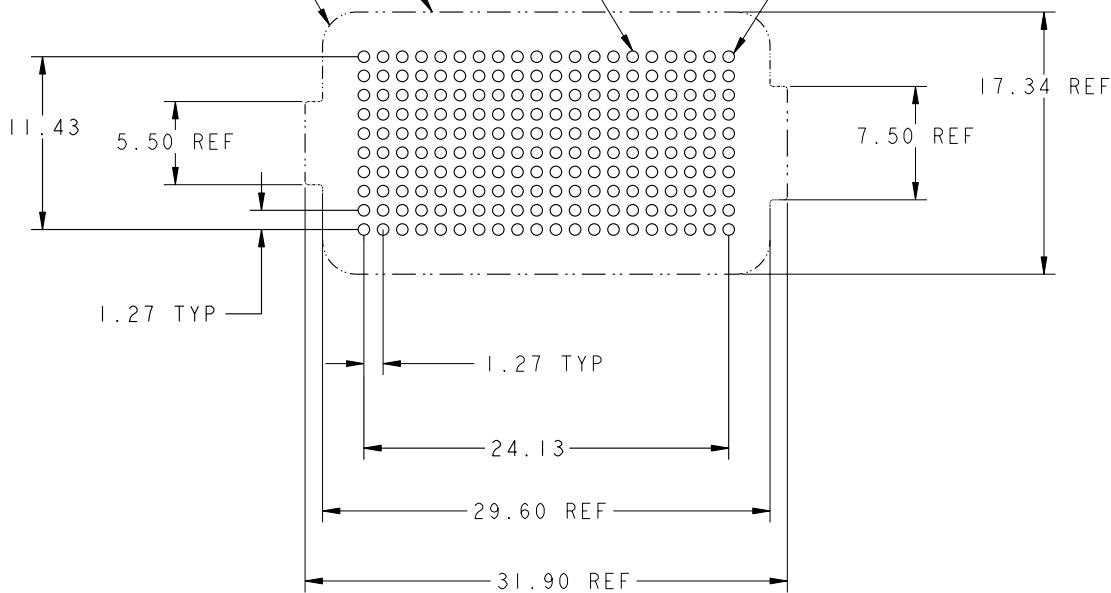
This document is the property of and embodies  
 CONFIDENTIAL and PROPRIETARY information of FCI.  
 No part of the information shown on this  
 document may be used in any way or disclosed  
 to others without the written consent of FCI.  
 Copyright FCI.

STENCIL MATED CONNECTOR OUTLINE ONTO BOARD

Ø0.64 PAD SIZE


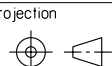

R2.25 REF 4X

POS. A1



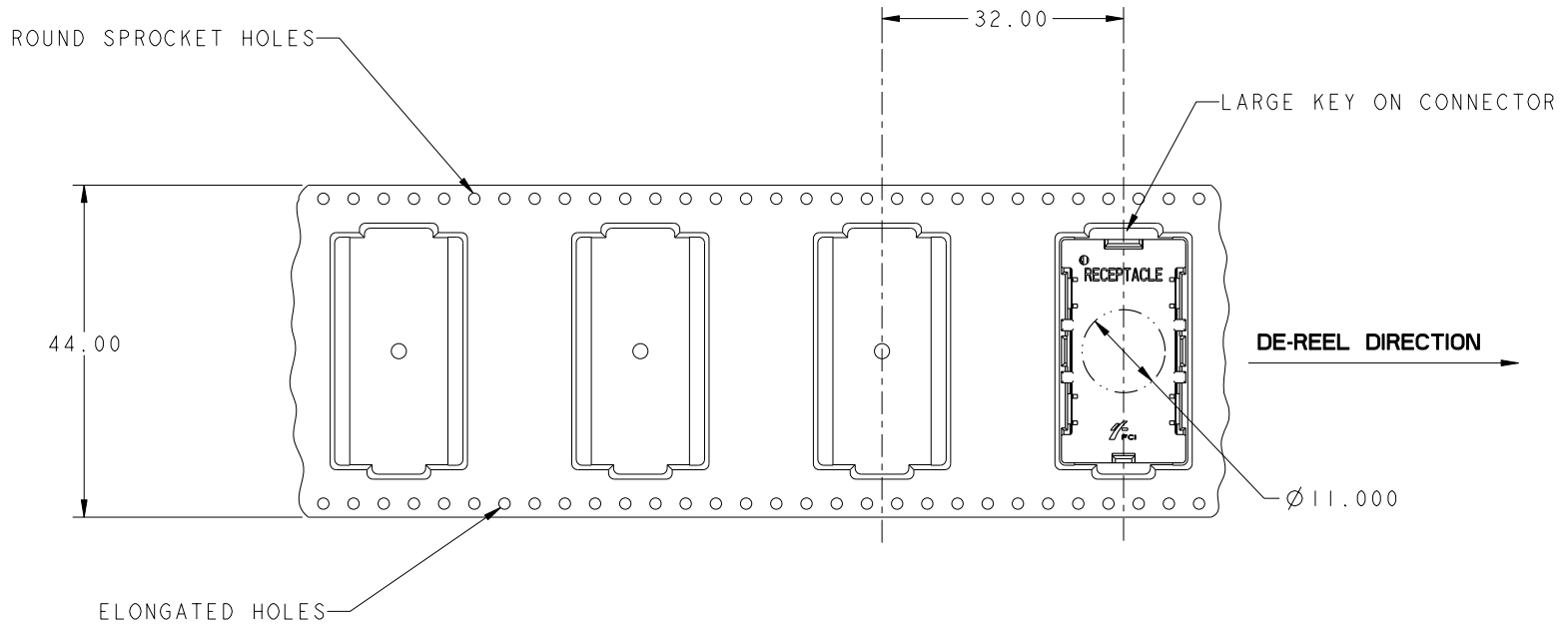
### BOARD PATTERN

This document is the property of and embodies CONFIDENTIAL and PROPRIETARY information of FCJ. No part of the information shown on this document may be used in any way or disclosed to others without the written consent of FCJ. Copyright FCJ.

mat'l code				SEE NOTE 1		tolerances unless otherwise specified		CUSTOMER		 <a href="http://www.fciconnect.com">www.fciconnect.com</a>	
ltr	ecn no.	dr	date	linear	0.X ±0.3		COPY			title	
D					0.XX ±0.10		6mm RECEPTACLE ASSY				
					0.XXX ±0.050		10x20= 200 POSITION				
				angles	0° ±2°				product family		
				dr	D. INGRAM	9-30-02	MEG-ARRAY		code		
				engr	D. WHITING	9-30-02	size		213		
				chr	D. WHITING	9-30-02	dwg no		sheet		
				appd	D. WHITING	9-30-02	A 10014760		2		
sheet index		revision sheet									



This document is the property of and embodies  
 CONFIDENTIAL and PROPRIETARY information of FCI.  
 No part of the information shown on this  
 document may be used in any way or disclosed  
 to others without the written consent of FCI.  
 Copyright FCI.



**TAPE & REEL PACKAGING**  
PER EIA 481-3

mat'l code				SEE NOTE 1		tolerances unless otherwise specified		CUSTOMER		 www.fciconnect.com	
ltr	ecm no.	dr	date	linear	0.X ±0.3		COPY		 title 6mm RECEPTACLE ASSY 10x20= 200 POSITION	 www.fciconnect.com	
D					0.XX ±0.10		projection			 product family MEG-ARRAY code 213	
					0.XXX ±0.050		 MM			size dwg no A 10014760 sheet 3	
				angles	0° ±2°		scale		1:1		
				dr	D. INGRAM	9-30-02					
				engr	D. WHITING	9-30-02					
				chr	D. WHITING	9-30-02					
				appd	D. WHITING	9-30-02					
sheet index	revision sheet										

cage code 22526

Pro/E

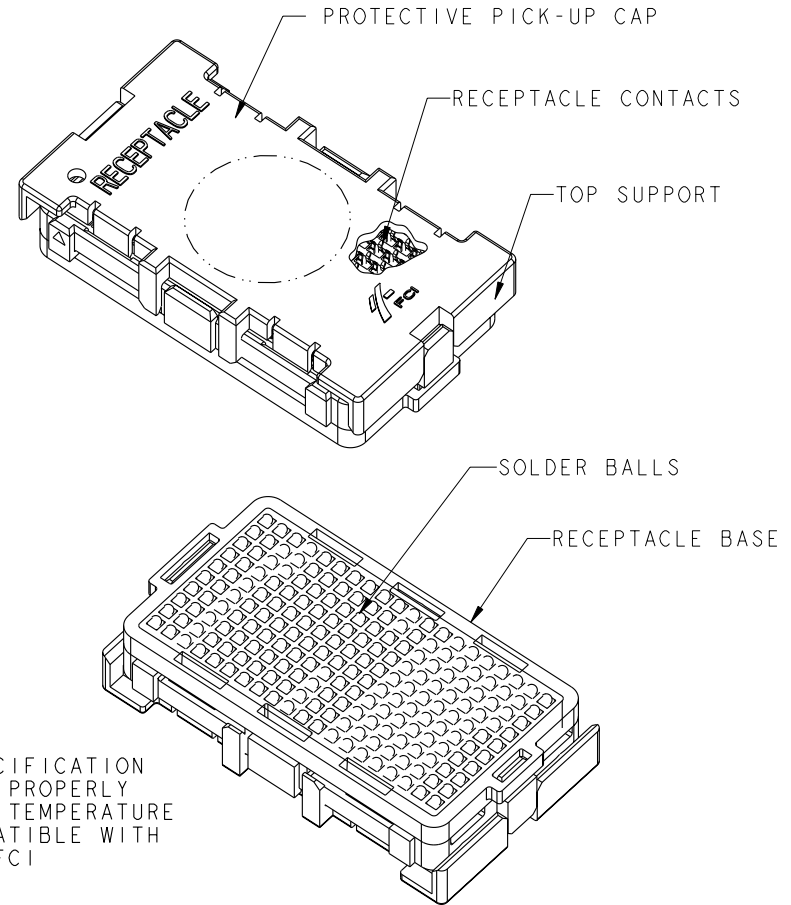
**PDM: Rev:D**

**STATUS: Released**

Printed: Oct 21, 2010

NOTES:

- ①. MATERIAL:  
HOUSING: LCP  
CONTACT: COPPER ALLOY  
  
PLATING CONTACT: SEE TABLE ON SHEET I  
SOLDER BALL: SEE TABLE ON SHEET I  
EUTECTIC SnPb OR LEAD FREE  
95.5Sn/4Ag/0.5Cu
- ②. PLATING FOR -2XX SERIES DASH NOS:  
Au OVER Ni WITH SPECIAL CONTACT  
GEOMETRY TO MEET REQUIREMENTS  
OF TELCORDIA GR-1217-CORE:  
CENTRAL OFFICE ENVIRONMENT.
- ③. SOLDER BALLS WILL NOT BE PERFECT SPHERICAL SHAPE  
DUE TO REFLOW ATTACHMENT.
4. OVERALL BOARD-TO-BOARD STACK  
HEIGHT WHEN MATED TO:  
200 POSITION 0.0mm PLUG (84516) IS 6.0 REF.  
200 POSITION 6.0mm PLUG (84530) IS 12.0 REF.
5. SEE SK-47284 FOR MATING RESTRICTIONS  
WITH EARLIER DESIGN VERSIONS.
- ⑥. FOR PROPER APPLICATION FOLLOW FCI APPLICATION SPECIFICATION  
GS-20-033. LEAD FREE SOLDER BALLS WILL NOT SOLDER PROPERLY  
IN A LEADED SOLDER PROSESS DUE TO A HIGHER REFLOW TEMPERATURE  
LEAD FREE PRODUCT IS THEREFORE NOT BACKWARDS COMPATIBLE WITH  
LEADED OR SOME SOLDERING APPLICATIONS. REFERENCE FCI  
APPLICATION SPECIFICATION
- ⑦. THIS PRODUCT MEETS EUROPEAN UNION DIRECTIVE AND OTHER  
COUNTRY REGULATIONS AS DESCRIBED IN GS-22-008. PRODUCT  
MEETING THIS DIRECTIVE IS IDENTIFIED IN THE LOT CODE  
NUMBER MARKED ON EACH PART BY HAVING AN "X" IN THE SEVENTH  
CHARACTER POSITION



mat'l code				SEE NOTE 1		tolerances unless otherwise specified		CUSTOMER		FCI www.fciconnect.com	
ltr	ecm no.	dr	date	linear	0.X ± 0.3		COPY		projection	title	
D					0.XX ± 0.10		MM			6.0mm RECPT. ASSY 10X20= 200 POS.	
				angles	0.XXX ± 0.050		MM		product family	MEG-Array	
					0° ± 2°		1:1			code	
				dr	D. INGRAM	9-30-02	scale		size		sheet
				engr	D. WHITING	9-30-02	A		dwg no		4
				chr	D. WHITING	9-30-02			10014760		
				appd	D. WHITING	9-30-02					
sheet index		revision sheet									



This document is the property of and embodies  
 CONFIDENTIAL and PROPRIETARY information of FCI.  
 No part of the information shown on this  
 document may be used in any way or disclosed  
 to others without the written consent of FCI.  
 Copyright FCI.