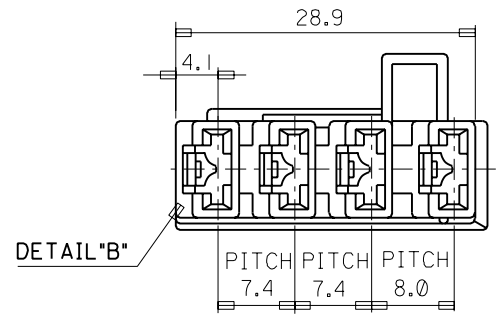
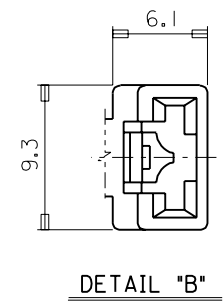
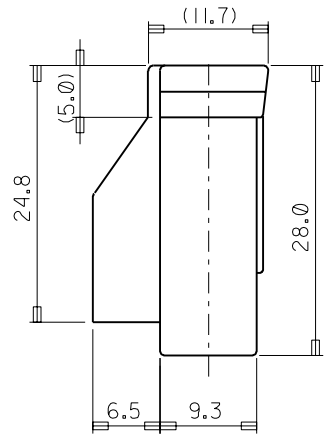
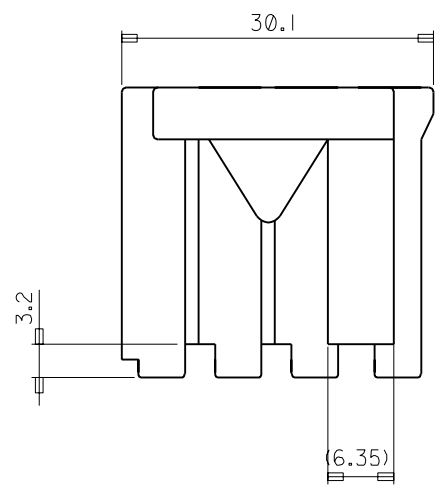
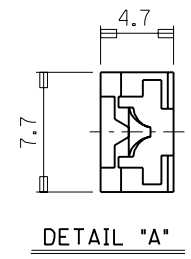
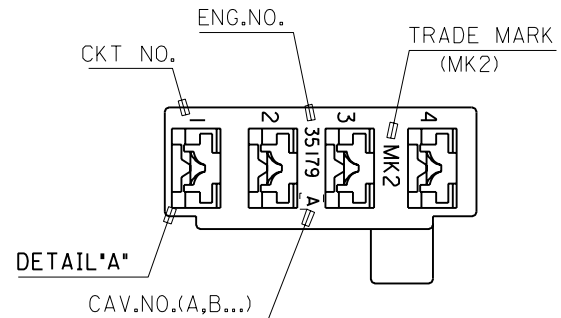


DWG. NO. SD-35179-002  
 PROJECT NO. SIMILAR ITEM  
 DO NOT SCALE DRAWING DIMENSION IN METRIC



NOTES

- MATERIA : POLYESTER(PBT) , UL94V-0
- APPLICABLE TERMINALS : 35725-40\*0  
35725-41\*0  
35725-42\*0
- APPLICATION : DEFROST TIMER

REVISED	ECN NO. KOR2002-0061 DRWN: W.Y.YANG 02/01/14 CHK: APPR:	QUALITY SYMBOLS MAJOR CRITICAL	GENERAL TOLERANCES: (UNLESS SPECIFIED)		SCALE 2:1	DESIGN UNITS <input checked="" type="checkbox"/> mm <input type="checkbox"/> INCH	THIRD ANGLE PROJECTION	DIMENSIONS: <input type="checkbox"/> mm <input type="checkbox"/> INCH <input checked="" type="checkbox"/> mm ONLY		SHT	REV											
			<table border="1"> <tr> <td></td> <td>mm</td> <td>INCH</td> </tr> <tr> <td>4 PLACES</td> <td>±0.</td> <td>±.</td> </tr> <tr> <td>3 PLACES</td> <td>±0.</td> <td>±.</td> </tr> <tr> <td>2 PLACES</td> <td>±0.30</td> <td>±.</td> </tr> <tr> <td>1 PLACE</td> <td>±0.30</td> <td>±.</td> </tr> </table>		mm	INCH	4 PLACES	±0.	±.	3 PLACES	±0.	±.	2 PLACES	±0.30	±.	1 PLACE	±0.30	±.	ANGULAR: ± °	DRAWN BY & DATE W.Y.YANG 94/12/01		TITLE: <b>.250 W/B HOUSING-4P</b>
	mm	INCH																				
4 PLACES	±0.	±.																				
3 PLACES	±0.	±.																				
2 PLACES	±0.30	±.																				
1 PLACE	±0.30	±.																				
DI	REV	DESCRIPTION	DRAFT WHERE APPLICABLE MUST REMAIN WITHIN DIMENSIONS		APPROVED BY & DATE C.W.LEE 94/12/01	MOLEX INCORPORATED		DRAWING NO. SD-35179-002		SHEET NO. 1 OF 1												
THIS DRAWING CONTAINS INFORMATION THAT IS PROPRIETARY TO MOLEX INCORPORATED AND SHOULD NOT BE USED WITHOUT WRITTEN PERMISSION.								SIZE B		KOREA MX-A3												