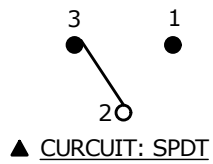
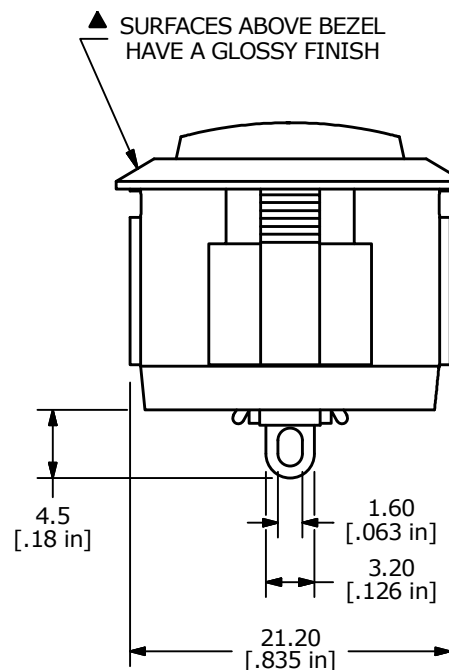
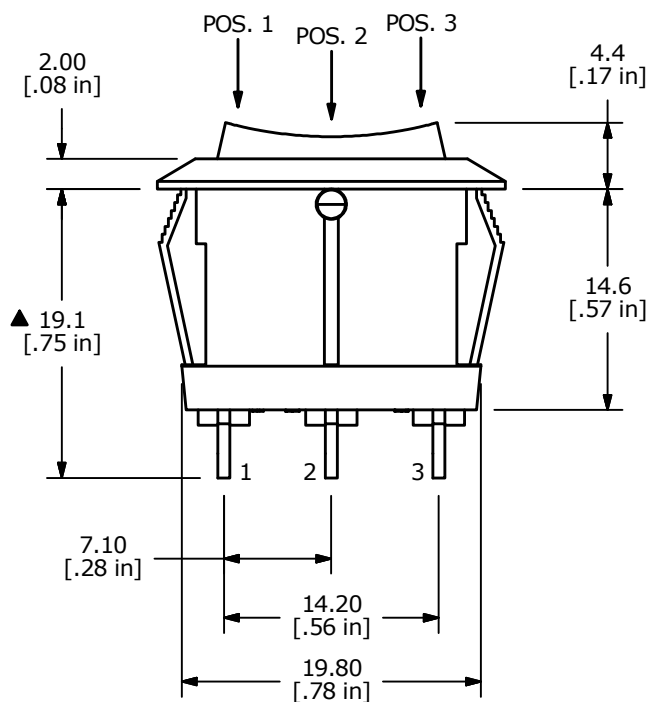


▲ SWITCH FUNCTION		
POS. 1	POS. 2	POS. 3
ON	OFF	ON
2-3	OPEN	2-1



- NOTE:
- DIMENSIONS IN MM [INCH]
 - GENERAL TOLERANCE: X.X = ± 0.4
X.XX = ± 0.25
 - TERMINAL NUMBERS FOR REF ONLY
 - CONTACT MATERIAL: SILVER
 - CONTACT RATINGS: 10A @ 125VAC [UR, cUR]
10A @ 125V~ [NOM]
6A @ 250V~ [NOM]
6(2)A @ 250V~ [ENEC14]
 - CONTACT RESISTANCE: 35m Ω MAX. @ 50VAC
 - INSULATION RESISTANCE: 1000M Ω MIN. @ 500VAC
 - DIELECTRIC STRENGTH: 1,500VAC FOR 1 MINUTE
 - ELECTRICAL LIFE: 6,000 CYCLES [UR, cUR, NOM]
10,000 CYCLES [ENEC14]
 - OPERATING TEMP.: -20°C to 105°C [UR, cUR, NOM]
-20°C to 125°C [ENEC14]
 - ▲ DENOTES CRITICAL PARAMETER
 - 2011/65/EU (ROHS) COMPLIANT



▲ SURFACES ABOVE BEZEL HAVE A GLOSSY FINISH



B	23472	REMOVED SEMKO RATING	7/24/18	MJR
A	22763	New Release	3/16/17	MW
REV	PCR NO	DESCRIPTION	DATE	BY

TITLE RRG35532200				
SCALE 2:1	DATE 3/16/2017	DR MW	DWG 38-RRG35532200	REV B

THE INFORMATION CONTAINED IN THIS DOCUMENT IS PROPRIETARY TO E-SWITCH AND IS NOT TO BE COPIED OR TRANSFERRED