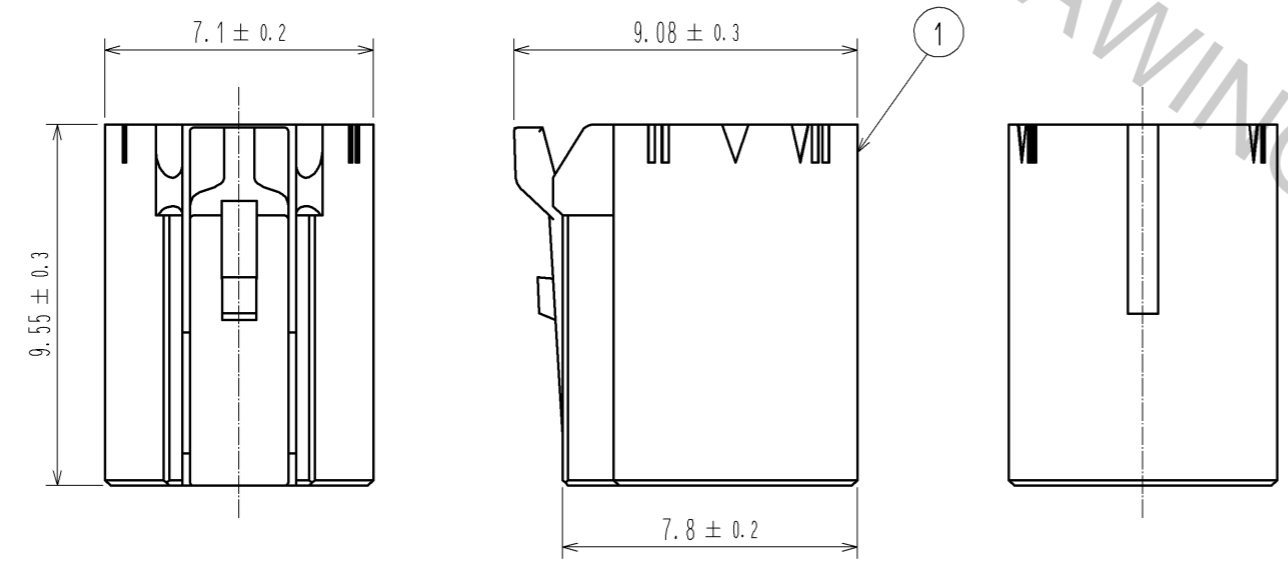
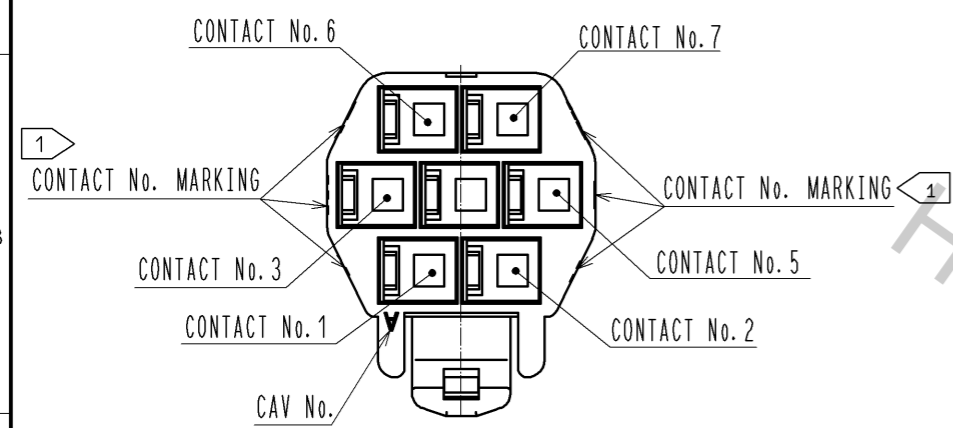
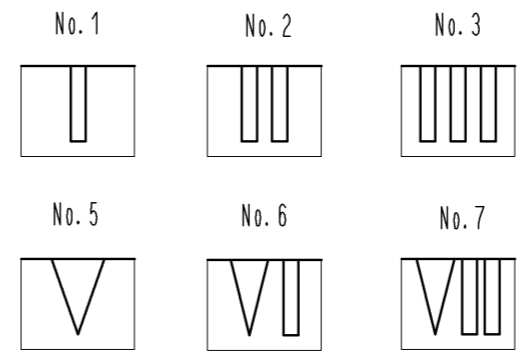
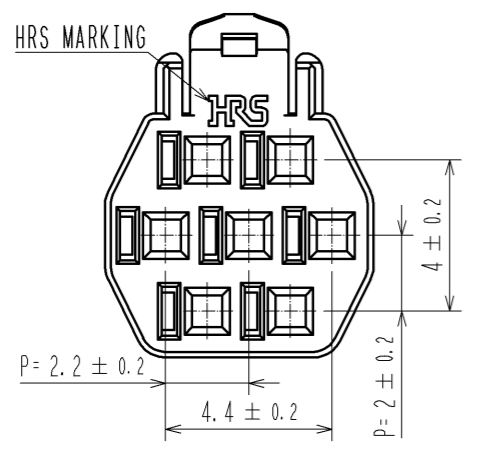
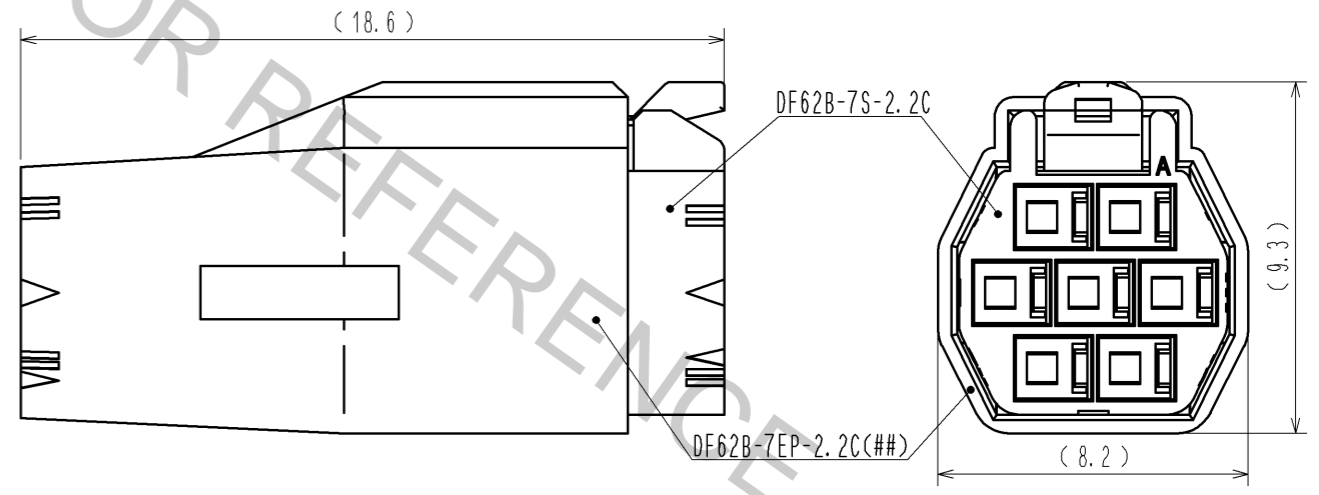


1 FIGURE-1 CONTACT No. MARKING (10:1)



MATING FIGURE



NOTE. 1 MARKINGS AT THE INDICATED POSITIONS ARE CONTACT NO. MARKING. AND SHAPES ARE SHOWN IN FIGURE-1.
 2. PER PACK : 100 PIECES.
 3. THE DIMENSIONS IN PARENTHESIS ARE FOR REFERENCE.

NO.		MATERIAL		FINISH . REMARKS		1	PBT	UL94V-0 (WHITE)		
UNITS mm		SCALE 5 : 1		COUNT		DESCRIPTION OF REVISIONS		DESIGNED	CHECKED	DATE
HIROSE ELECTRIC CO., LTD.		APPROVED : KI. AKIYAMA		13.05.28		DRAWING NO.		EDC3-351961-00		
		CHECKED : HK. UMEHARA		13.05.28		PART NO.		DF62B-7S-2.2C		
		DESIGNED : TS. KUMAZAWA		13.05.28		CODE NO.		CL544-0556-3-00		
		DRAWN : TS. KUMAZAWA		13.05.28						