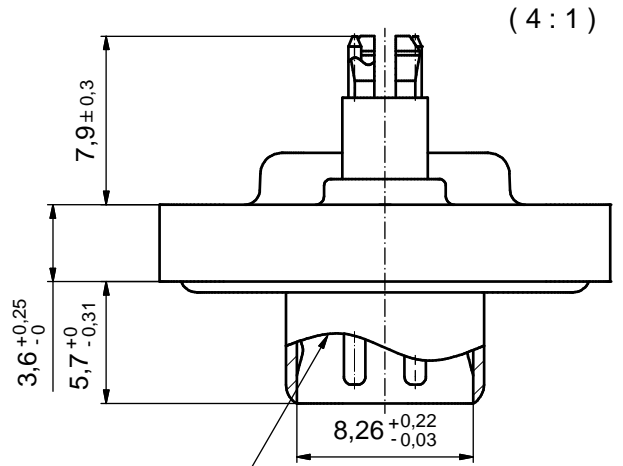
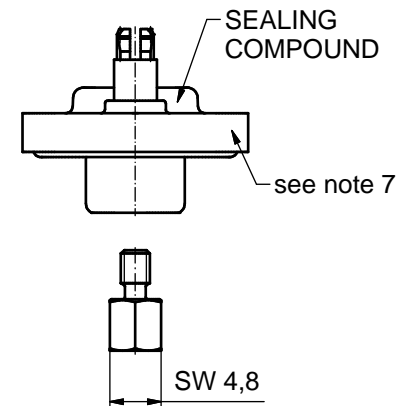
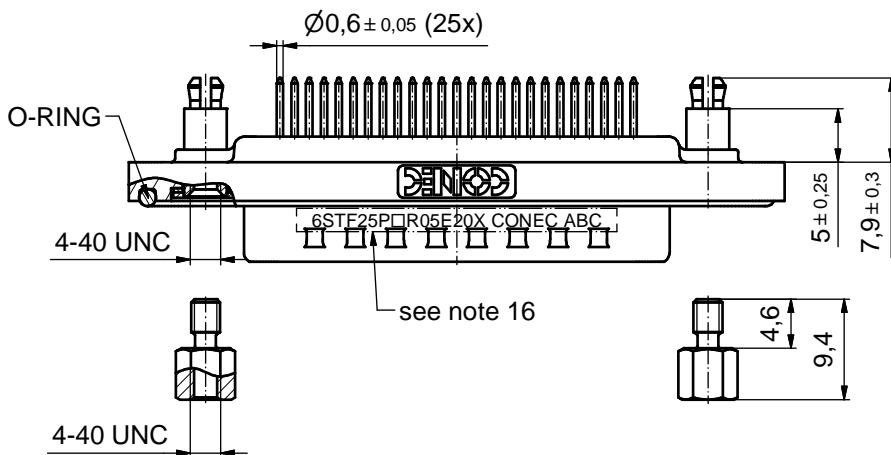
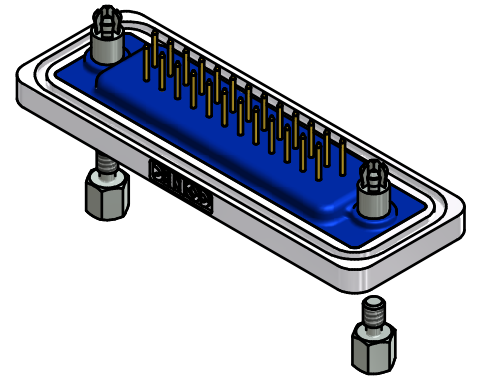
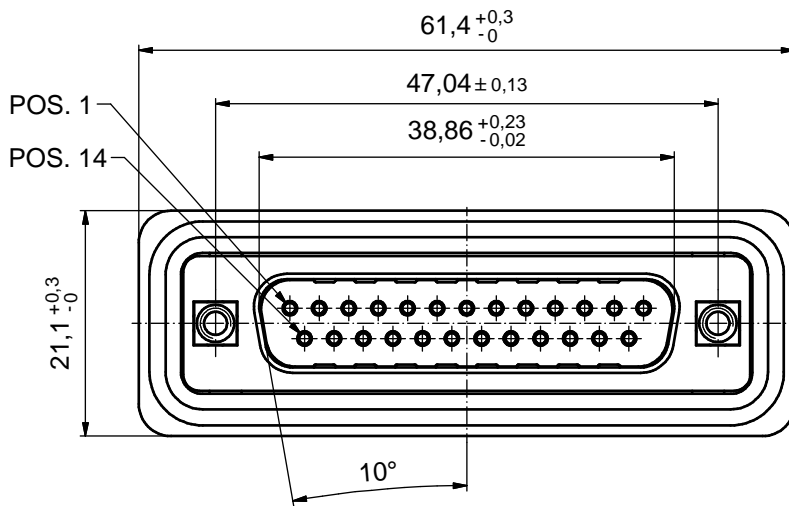


NOTES:

1. FOR WAVESOLDERING (SOLDER BATH TEMPERATURE 240°C FOR 5 SEC. AND SOLDER PREHEAT 100°C FOR 30 SEC.)
2. METALSHELLS: COPPER ALLOY; min. 315µin TIN over 40-80µin NICKEL
3. INSULATOR: HIGH TEMPERATURE PLASTIC UL 94 V-0; BLACK
4. CONTACTS: COPPER ALLOY; PLATING (SEE PART NO):
  - PLEASE ADD A for GOLD FLASH over NICKEL (PREFERRED TYPE)
  - PLEASE ADD B for 20µin HARD GOLD over min. 50µin NICKEL
  - PLEASE ADD C for 30µin HARD GOLD over min. 50µin NICKEL
 CONTACTS TAILS PRETINNED
5. THREADED SPACER CLIPS: COPPER ALLOY; min. 20µin TIN over 80µin NICKEL  
PCB-HOLE:  $\varnothing 3,1 \pm 0,1$ ; PCB-THICKNESS 1,6mm
6. COLLARS: COPPER ALLOY, min. 200µin TIN over 80µin NICKEL
7. FRAME: ZINC DIE CAST; NICKEL PLATED
8. O-RING: SILICON; BLUE
9. RUBBER GASKET: TPE; BLACK
10. SEALING COMPOUND: PUR; BLUE
11. HEXLOCKING SCREWS: STAINLESS STEEL
12. CAPACITANCE: 1300pF  $\pm 20\%$
13. DIELECTRIC WITHSTANDING VOLTAGE: 424 VDC
14. P.C.B. HOLE DRILLINGS + RECOMMENDED PANEL CUT-OUT ON SHEET 2
15. RECOMMENDED TORQUE FOR MOUNTING SCREW 35Ncm (3,1 in.LB) / max. 40Ncm (3,5 in.LB)
16. CONNECTOR IS PART MARKED: 6STF25P□R05E20X CONEC ABC (see note 4)



RUBBER GASKET PLACED ON TOP SURFACE OF MALE INSULATOR

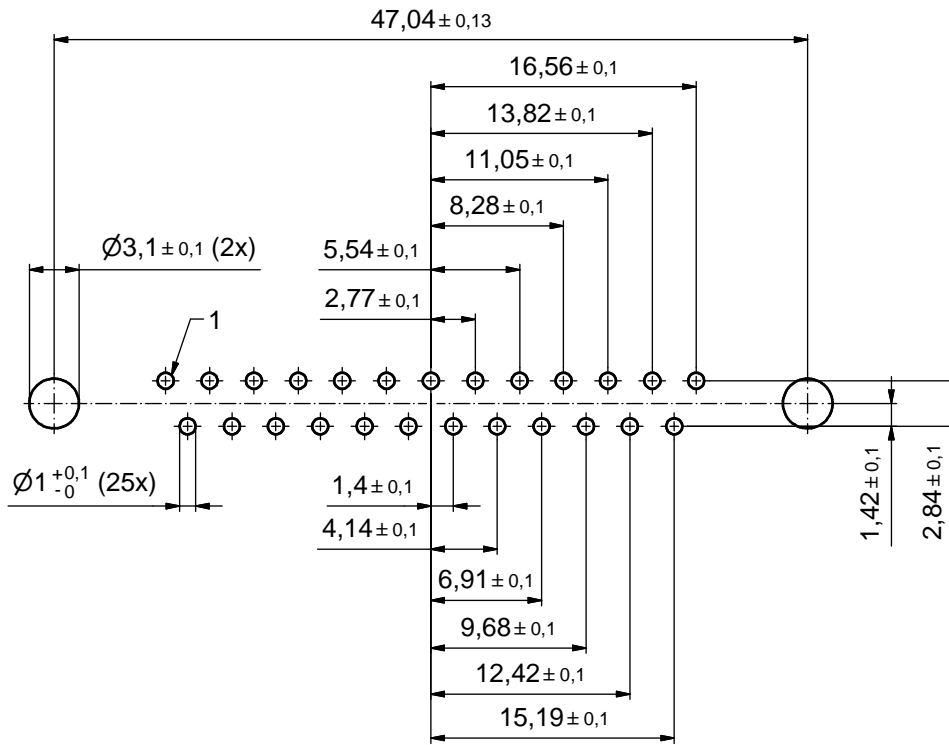


AT ALL TIMES WATER RESISTANT CONNECTORS NOT IN USE SHOULD BE COVERED WITH A CONEC WATER RESISTANT CAP OR WATER TIGHT HOOD.

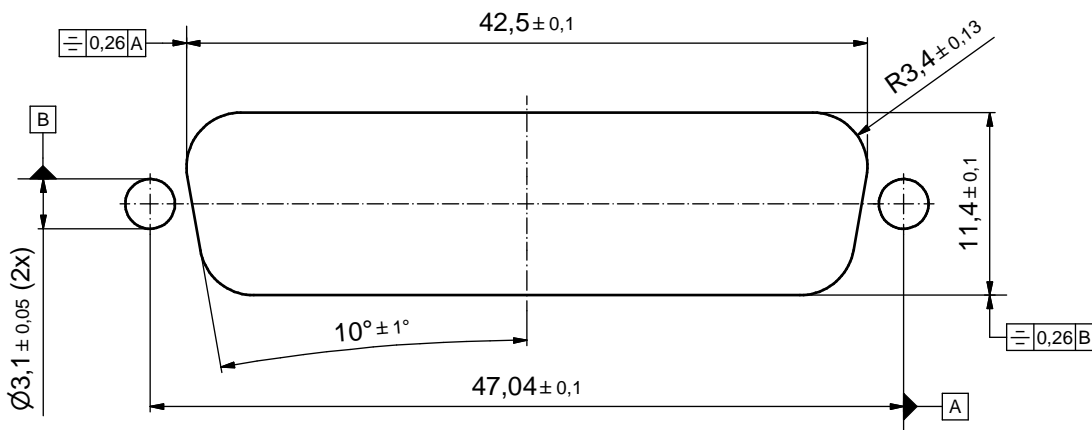
Directive 2002/95/EC RoHS compliant

THIS DRAWING MAY NOT BE COPIED OR REPRODUCED IN ANY WAY, AND MAY NOT BE PASSED ON TO A THIRD PARTY WITHOUT WRITTEN PERMISSION. OWNERSHIP AND COPYRIGHT OF CONEC GmbH DO NOT ALTER CAD DRAWING BY HAND	tolerance		dim. in mm		scale:	2:1 (4:1)	
					material:	see notes	
	date	name	drawn	08.05.14	Schmidt	title: <b>D-SUB FILTER MALE</b> 25pos. SOLDER PIN STRAIGHT with threaded spacer clip	
	appd.	08.05.14	Henneboel				
norm			d-old	dwg no:		DIN-A3	
rev.	a	Original	<b>CONEC</b> <sup>®</sup>		15K1A1476		sh: 1/2
description	date	name			part no: 6STF25P□R05E20X (see note 4)		

P.C.B. HOLE DRILLINGS  
(P.C.B. TOP SIDE)



RECOMMENDED PANEL CUT-OUT



THIS DRAWING MAY NOT BE COPIED OR REPRODUCED IN ANY WAY, AND MAY NOT BE PASSED ON TO A THIRD PARTY WITHOUT WRITTEN PERMISSION. OWNERSHIP AND COPYRIGHT OF CONEC GmbH DO NOT ALTER CAD DRAWING BY HAND				tolerance		scale: 3:1
					dim. in mm	material: see sheet 1
				date	name	title: P.C.B. HOLE DRILLINGS RECOMMENDED PANEL CUT-OUT D-SUB Filter Male 25pos. Solder pin straight
				drawn 08.05.14	Schmidt	
				appd. 08.05.14	Henneboel	
			norm		dwg no:	DIN-A3
			d-old		15K1A1476	sh: 2/2
	a	Original				
	rev.	description	date	name		part no: see sheet 1