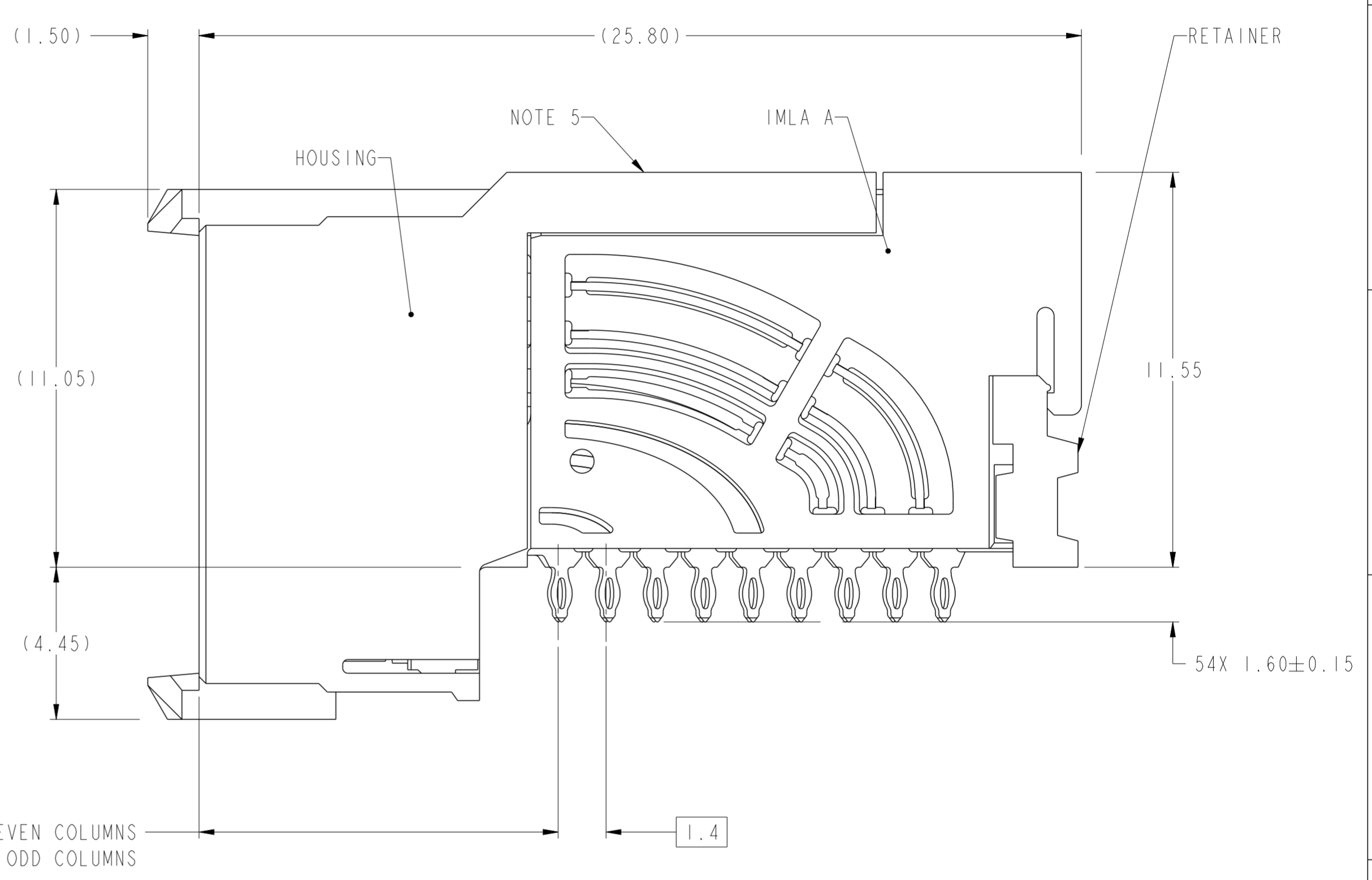
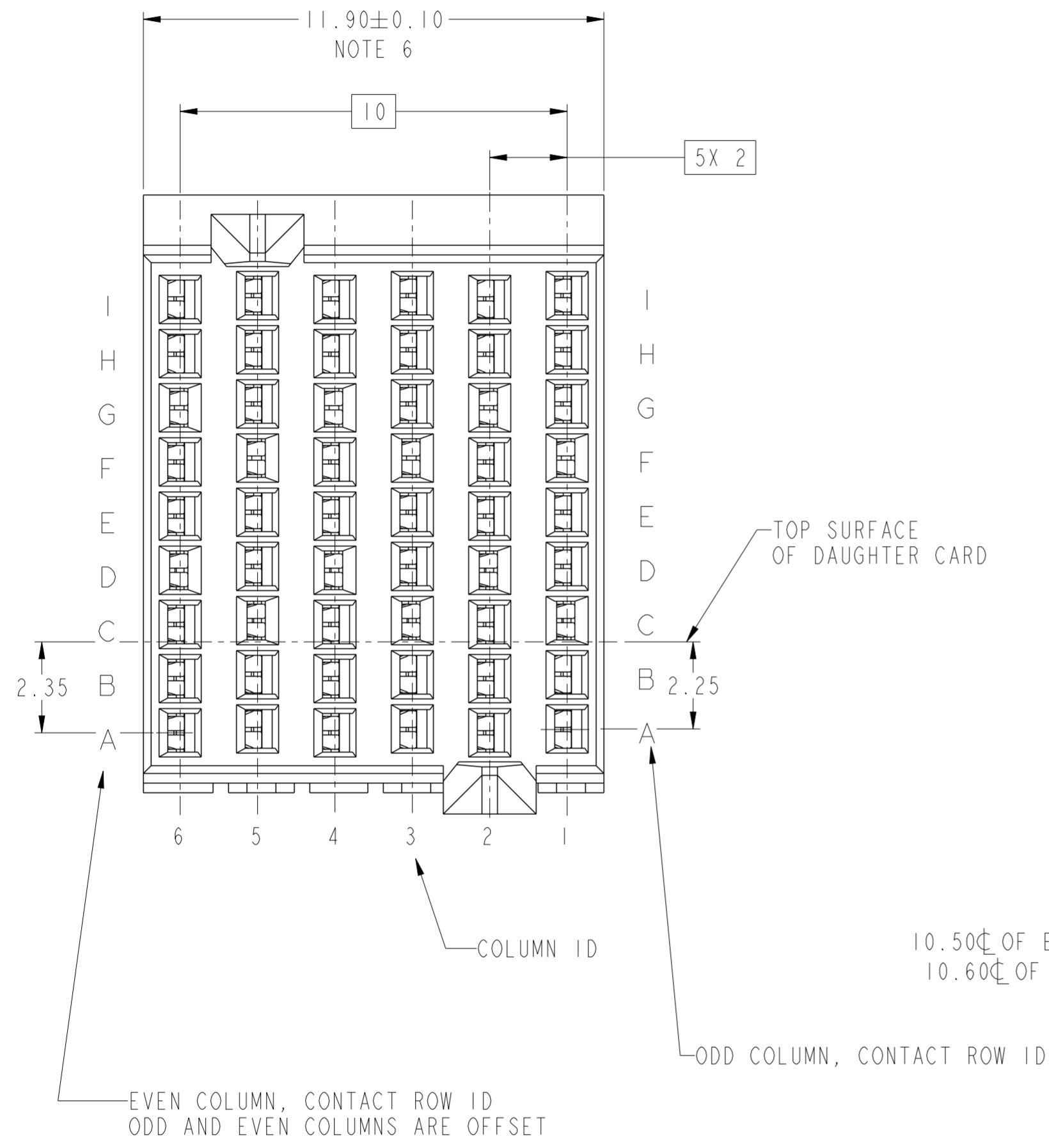


PRODUCT NUMBER  
SEE SHEET 3



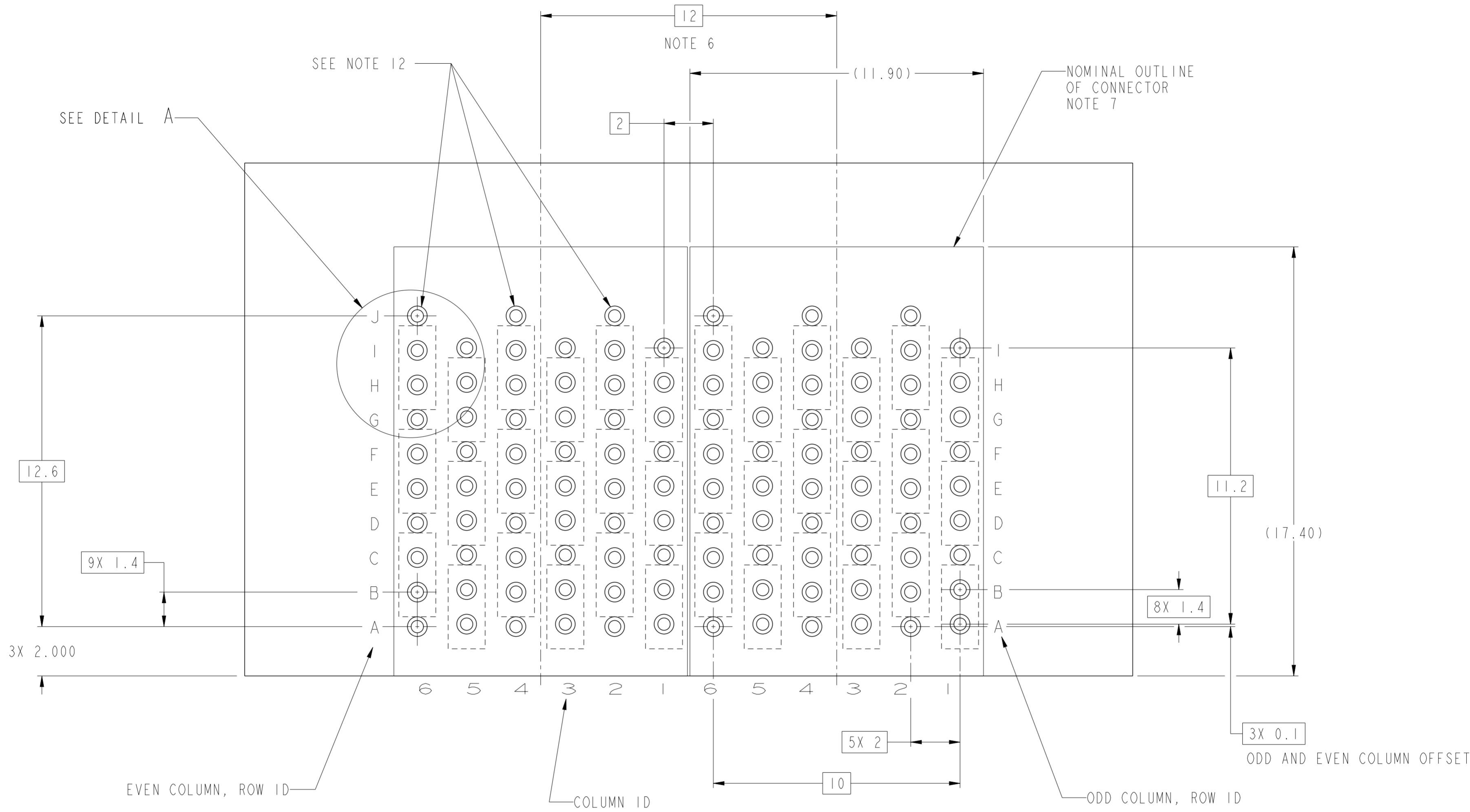
Copyright FCI.  
FCI

spec ref	---	dr	S Paulgandian	2013/02/25	projection	MM	size	A2	scale	1:1		
tolerance std	ASME Y14.5M	eng	Jeny Ren	2015/02/04			ecn no	ELX-DG-20165-1				
TOLERANCES UNLESS OTHERWISE SPECIFIED		chr	-				rel level	Released				
surface	✓	appr	Collins Lu	2015/02/06			product family	AirMax VSE		rel level	Blue	
linear	0.X ±.3 0.XX ±.10 0.XXX ±.050	www.fci.com	cat. no.		title		AIRMAX VS2 R.A. RECEPTACLE ASS'Y, 3 PAIR, 54 POS, 6 IMLA, 12MM		dwg no	10124459	rev	B
angular	0° ±°	Product - Customer Drw		sheet 1 of 3								

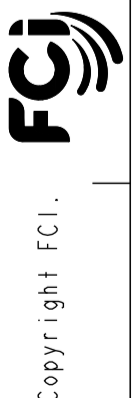
PDS: Rev :B

STATUS:Released

Printed: Feb 06, 2015



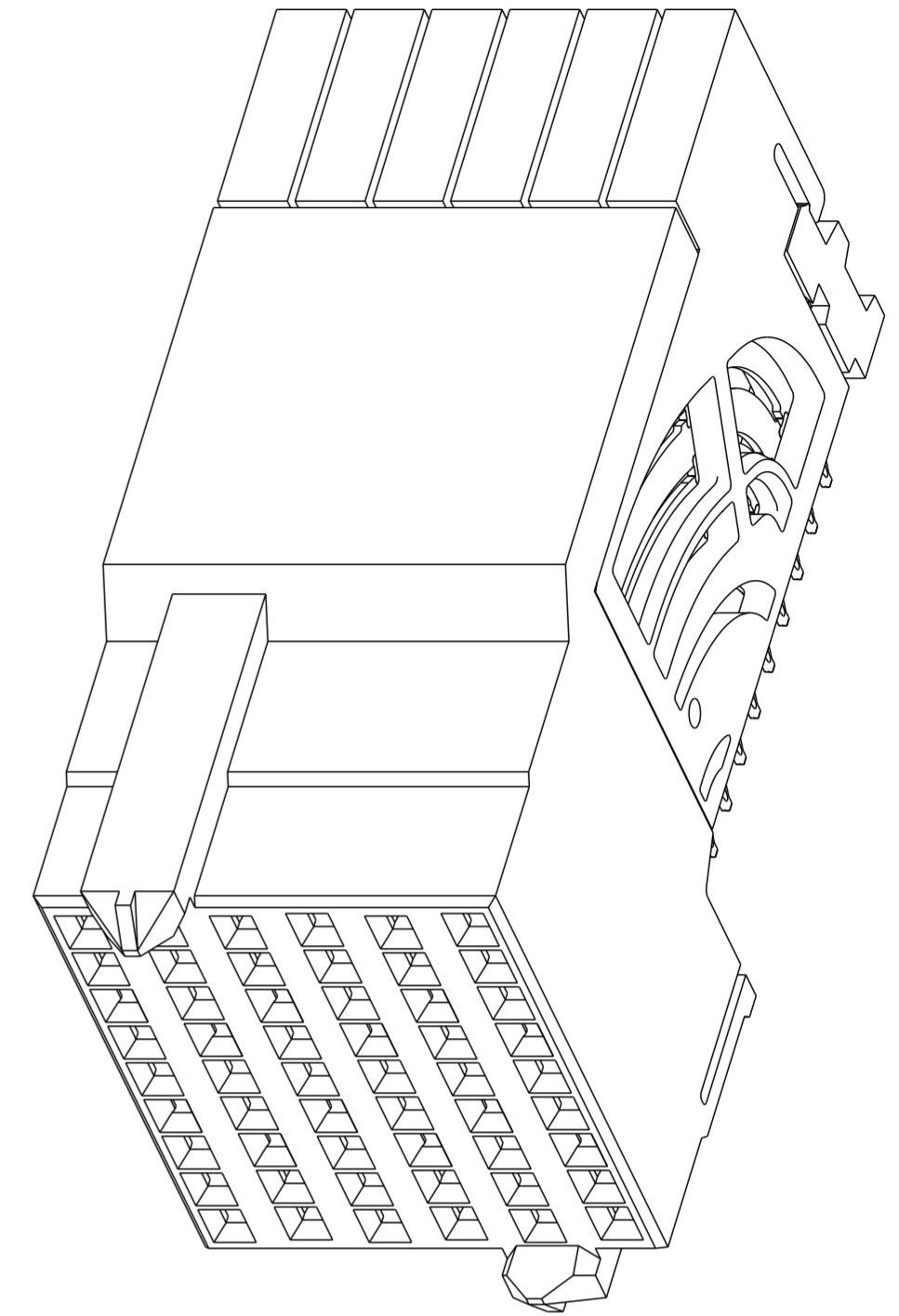
RECOMMENDED PCB LAYOUT  
FOR DIFFERENTIAL APPLICATIONS  
COMPONENT SIDE  
(TWO ADJACENT FOOTPRINTS SHOWN)  
NOTES 6, 8, & 11



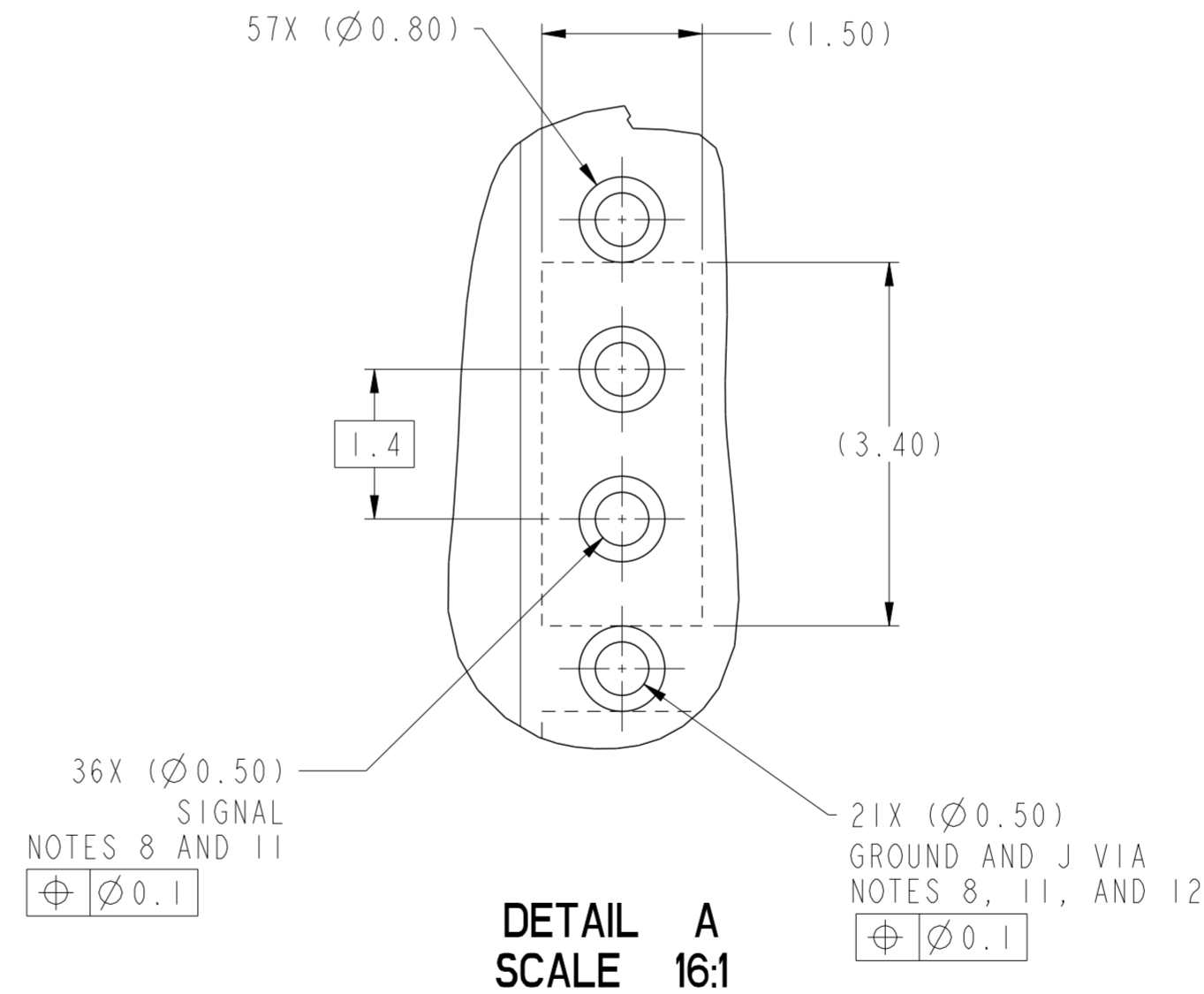
spec ref	---	dr	S Paulgandian	2013/02/25	projection	MM	size	A2	scale	1:1												
tolerance std	ASME Y14.5M	eng	Jeny Ren	2015/02/04			ecn no	ELX-DG-20165-1	rel level	Released												
TOLERANCES UNLESS OTHERWISE SPECIFIED		chr	-	product family							AirMax VSE											
surface	<table border="1"> <tr> <td>linear</td> <td>0.X</td> <td>±.3</td> </tr> <tr> <td></td> <td>0.XX</td> <td>±.10</td> </tr> <tr> <td></td> <td>0.XXX</td> <td>±.050</td> </tr> <tr> <td>angular</td> <td>0°</td> <td>±°</td> </tr> </table>	linear	0.X	±.3								0.XX	±.10		0.XXX	±.050	angular	0°	±°	appr	Collins Lu	2015/02/06
linear	0.X	±.3																				
	0.XX	±.10																				
	0.XXX	±.050																				
angular	0°	±°																				
		www.fci.com	cat. no.	-	Product - Customer Drw	sheet 2 of 3																

PRODUCT NUMBER	PRESS-FIT TAIL PLATING TYPE
10124459-101	TIN/LEAD ALLOY OVER NICKEL
10124459-101LF	TIN OVER NICKEL (LEAD FREE)

- ① - CONNECTOR MATERIALS:  
HOUSING: HIGH TEMP THERMOPLASTIC, NATURAL, UL94-V0  
IMLA PLASTIC: HIGH TEMP THERMOPLASTIC, BLACK, UL94-V0  
CONTACT: COPPER ALLOY  
ORGANIZER: HIGH TEMP THERMOPLASTIC, WHITE, UL94-V0
- 2 - CONTACT PLATING:  
SEPARABLE INTERFACE:  
PERFORMANCE-BASED PLATING, QUALIFIED TO MEET THE REQUIREMENTS OF FCI PRODUCT SPECIFICATION GS-12-0956 INCLUDING TELCORDIA GR-1217-CORE (NOVEMBER 1995) CENTRAL OFFICE TEST SEQUENCE  
  
PRESS-FIT TAILS: SEE TABLE
- 3 - PRODUCT SPECIFICATION: GS-12-0956
- 4 - APPLICATION SPECIFICATION: GS-20-0305.
- ⑤ - PRODUCT MARKING, (PART NUMBER & LOT CODE), ON THIS SURFACE.
- ⑥ - THE MINIMUM CENTERLINE SPACING BETWEEN ADJACENT MODULES IS 12.0 MM.
- ⑦ - CONNECTOR OUTLINE MAY BE SCREEN PRINTED ONTO CUSTOMER PCB TO BE USED AS A GUIDE FOR MANUAL CONNECTOR PLACEMENT.
- ⑧ - REFER TO CUSTOMER DRAWING 10104444 FOR INFORMATION ON PCB HOLE DIAMETERS AND PLATING OPTIONS
- 9 - LEAD FREE PRODUCT MEETS THE EUROPEAN UNION DIRECTIVES & OTHER COUNTRY REGULATIONS AS DESCRIBED IN GS-22-008
- 10 - PACKAGING MEETS GS-14-920 LEAD FREE LABELING SPECIFICATION.
- ⑪ - GROUND CONTACTS (C, F, AND I IN ODD COLUMNS AND A, D, AND G, EVEN COLUMNS) REQUIRE (Ø0.500) FINISHED HOLES. SIGNAL LOCATIONS REQUIRE (Ø0.500) FINISHED HOLES.
- ⑫ - THESE OUTER VIAS (J) ARE OPTIONAL. WHILE NO CONNECTOR EONS ARE PRESSED INTO THESE HOLES WE RECCOMEND (Ø0.500) FINISHED HOLES AT THESE LOCATIONS TO PROVIDE GROUND SYMMETRY THROUGH THE PCB.



10124459-101 OR -101LF



spec ref	---	dr	S Paulgandian	2013/02/25	projection	MM	size	A2	scale	4:1
tolerance std	ASME Y14.5M	eng	Jeny Ren	2015/02/04			ecn no	ELX-DG-20165-1		
TOLERANCES UNLESS OTHERWISE SPECIFIED		chr	-	appr			Collins Lu	2015/02/06	product family	rel level
surface	✓	linear	0.X	±.3		title AIRMAX VS2 R.A. RECEPTACLE ASS'Y, 3 PAIR, 54 POS, 6 IMLA, 12MM	dwg no 10124459	rev B	www.fci.com	
			0.XX	±.10					cat. no.	
			0.XXX	±.050					Product - Customer Drw	
angular	0°	±°	sheet 3 of 3		PDS: Rev :B		STATUS:Released		Printed: Feb 06, 2015	