

# C0402CH1C330K020BC

TDK Item Description : C0402CH1C330KT\*\*\*\*

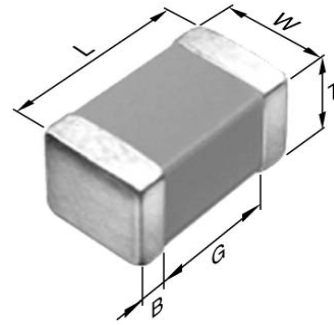


## Application & Main Feature

Commercial Grade ( General (Up to 50V) )

## Series

C0402 [EIA CC01005]



## Dimensions

L 0.40mm +/-0.02mm  
W 0.20mm +/-0.02mm  
T 0.20mm +/-0.02mm  
B 0.07mm Min.  
G 0.14mm Min.

## Temperature Characteristic

CH (-25 to 85 degC 0+/-60ppm/degC)

## Rated Voltage

1C (16Vdc)

## Capacitance

33pF

## Capacitance Tolerance

K (+/-10%)

## Q Factor

1000 Min.

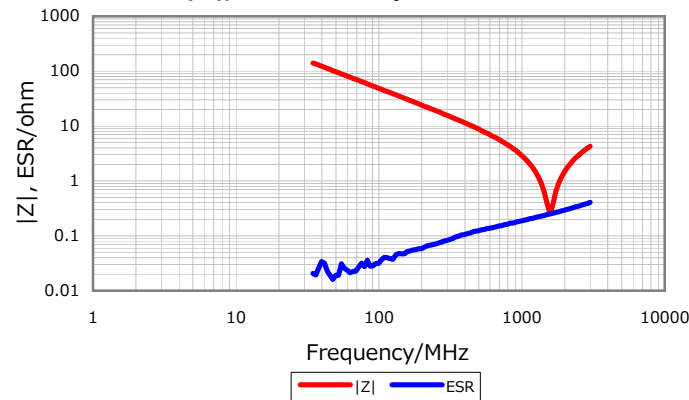
## Insulation Resistance

10Gohm Min.

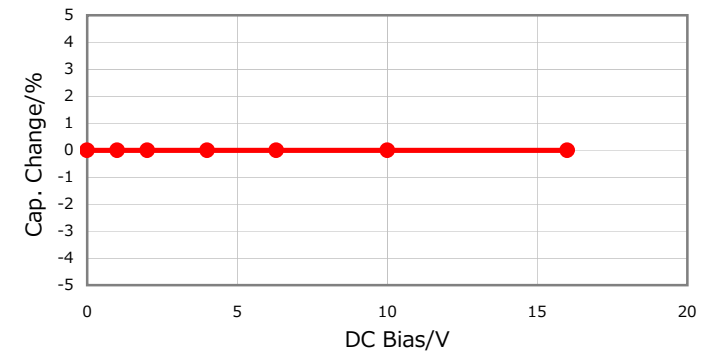
## AEC-Q200

Not Applicable

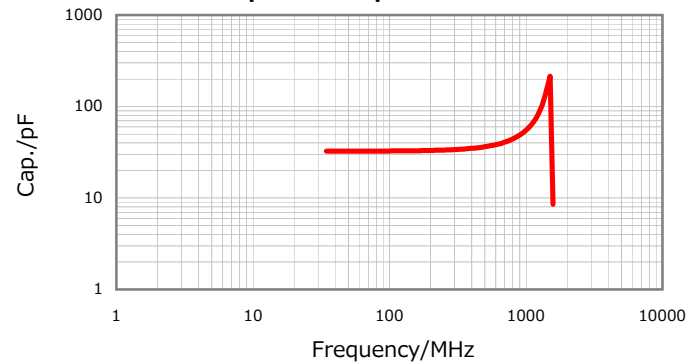
### |Z|, ESR vs. Freq. Characteristics



### DC Bias Characteristic



### Cap. vs. Freq. Characteristic



### Temperature Characteristics

