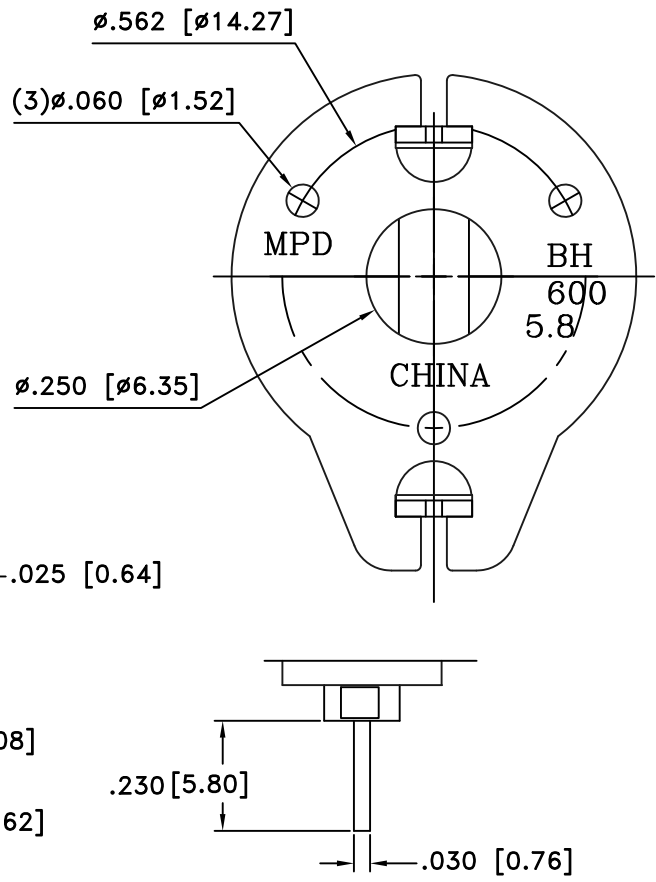
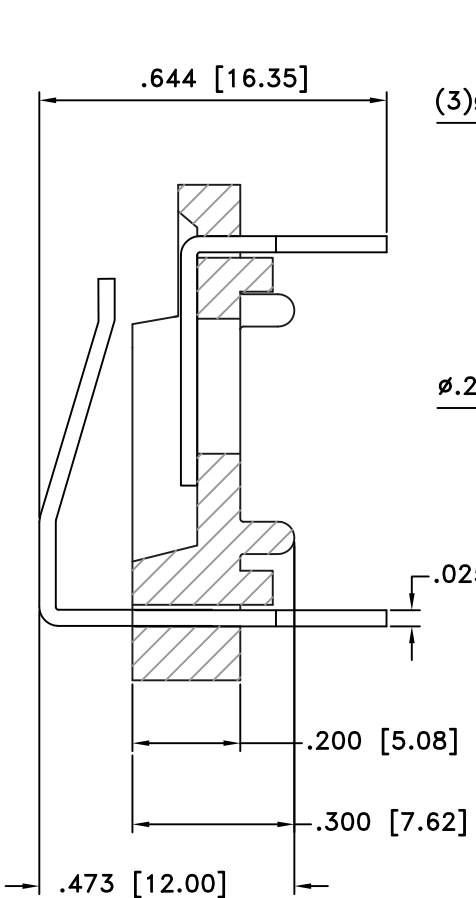
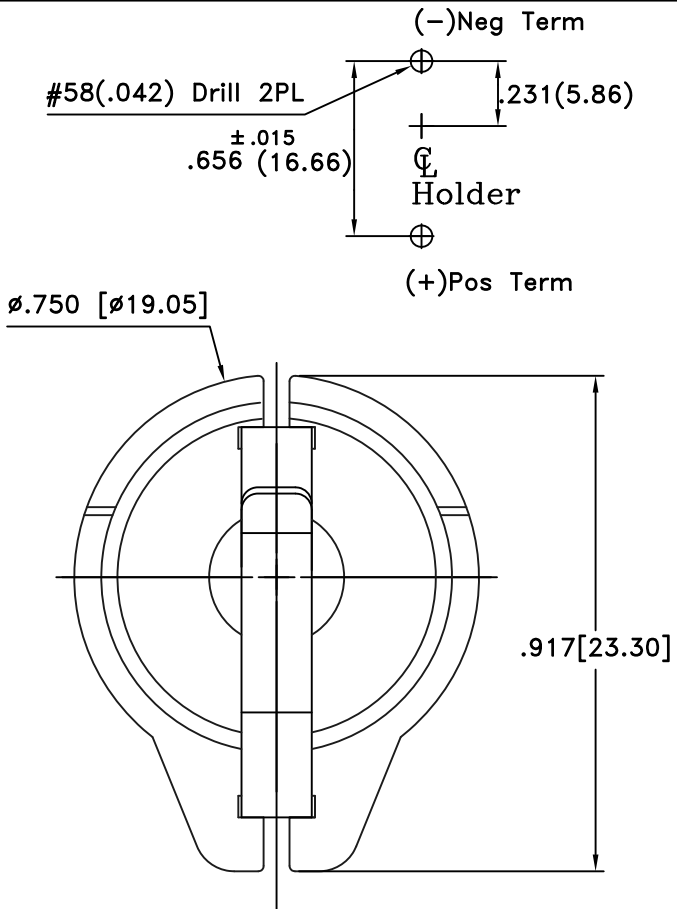



Date	SYM	REVISION RECORD	AUTH	DR.	CK.
10/28/11	B	REMOVED TOL. FROM DIM. 0.230	T.B.	B.S.	
11/04/11	C	CONTACT MATERIAL WAS PHOSPHOR BRONZE	T.B.	B.S.	



Square Contact Detail

**SPECIFICATIONS**

- \*Holder material—Kopa 66, 30% glass filled, color Black
  - \*Flammability rating—UL94V-0
  - \*Contacts—Stainless steel Spring Temper, Gold Flash Plating
  - \*Dielectric strength—560volts/mil at 25°C for 5seconds
  - \*Temperature range— -55° to +180°C
  - \*Resistance to solvents—Xylene,ethyl,butyl,methyl&proptl alcohol;ethyl acetate,heptane;toluene;refrigerant
- ROHS COMPLIANT

Tolerance (Except as noted)		Memory protection Devices, Inc	
		200 Broad Hollow Road, Farmingdale, New York 11735	
decimal	±.5 (.020)	Scale	Drawn By B.S.
		XX	Approved By T.B.
Fractional	± .8 (.030)	Title	
		16mm DIA. x 5.8mm THICK COIN CELL HOLDER	
Angular	± 3°	Date	Drawing Number
		11/04/11	BH600-5.8-G