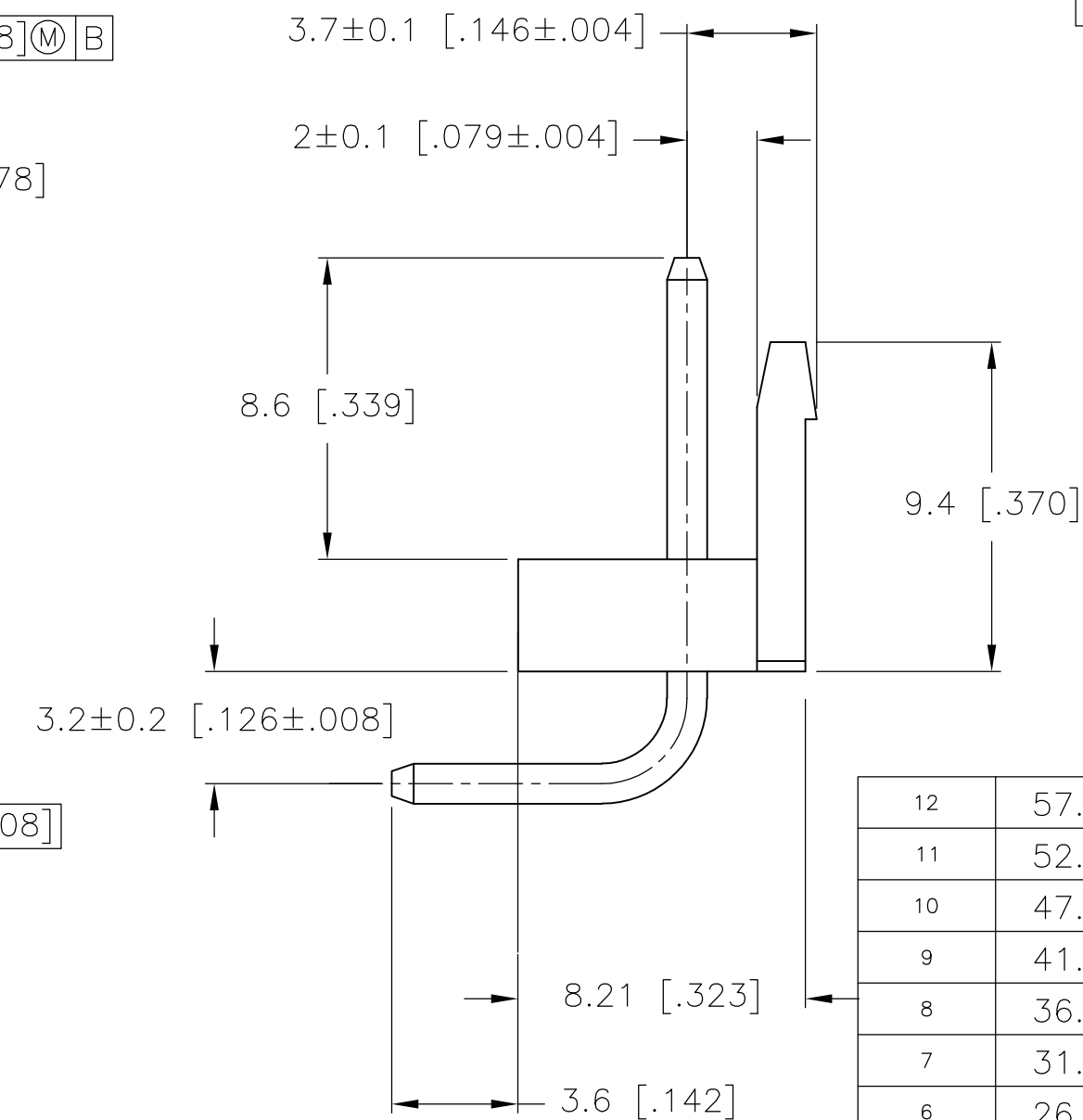
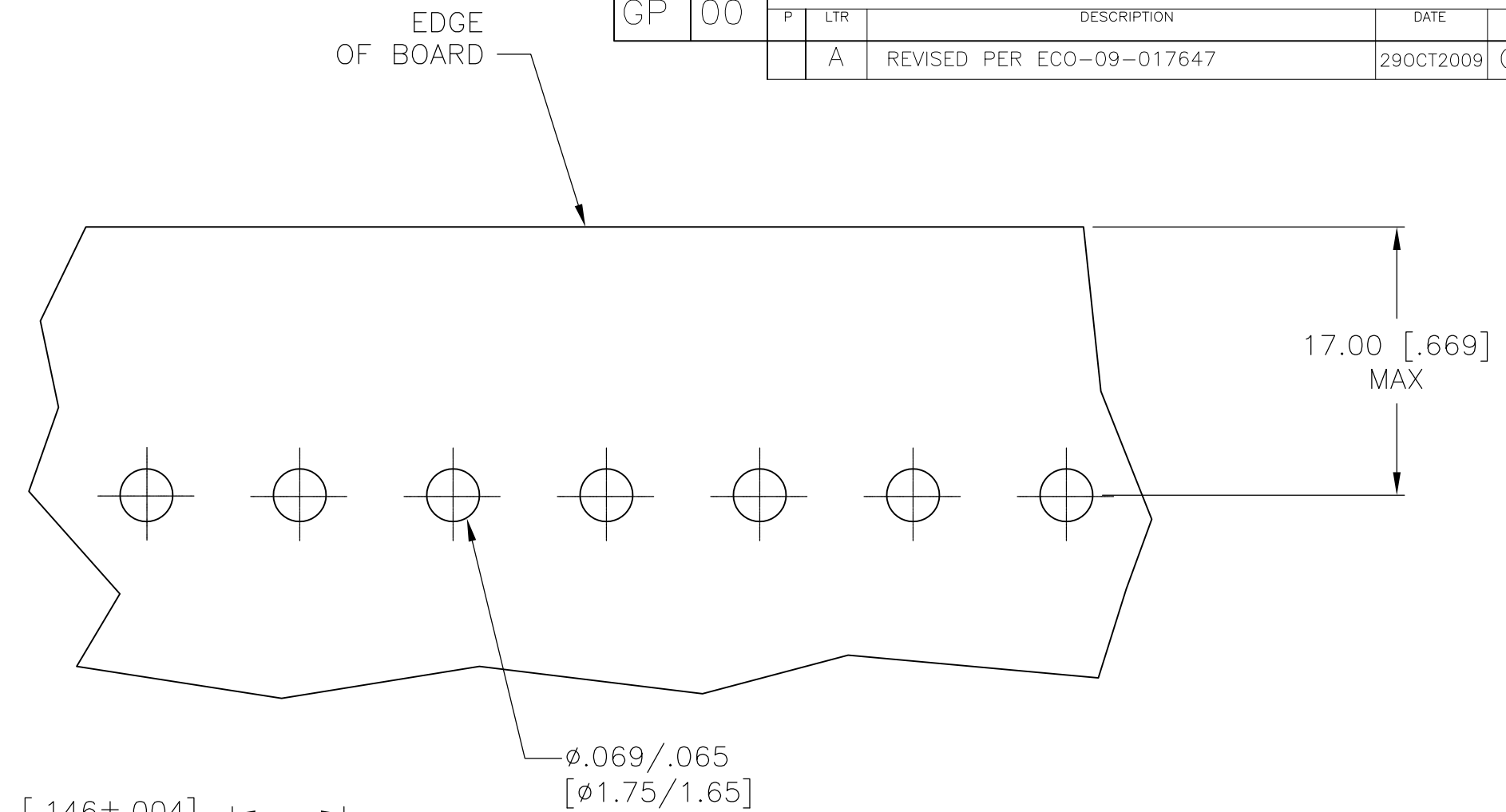
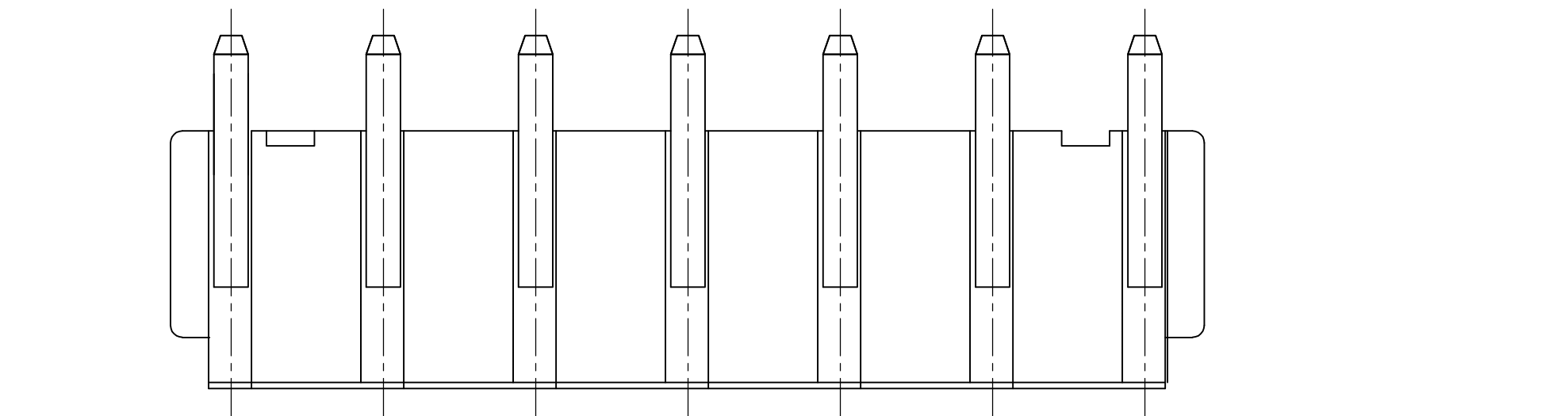
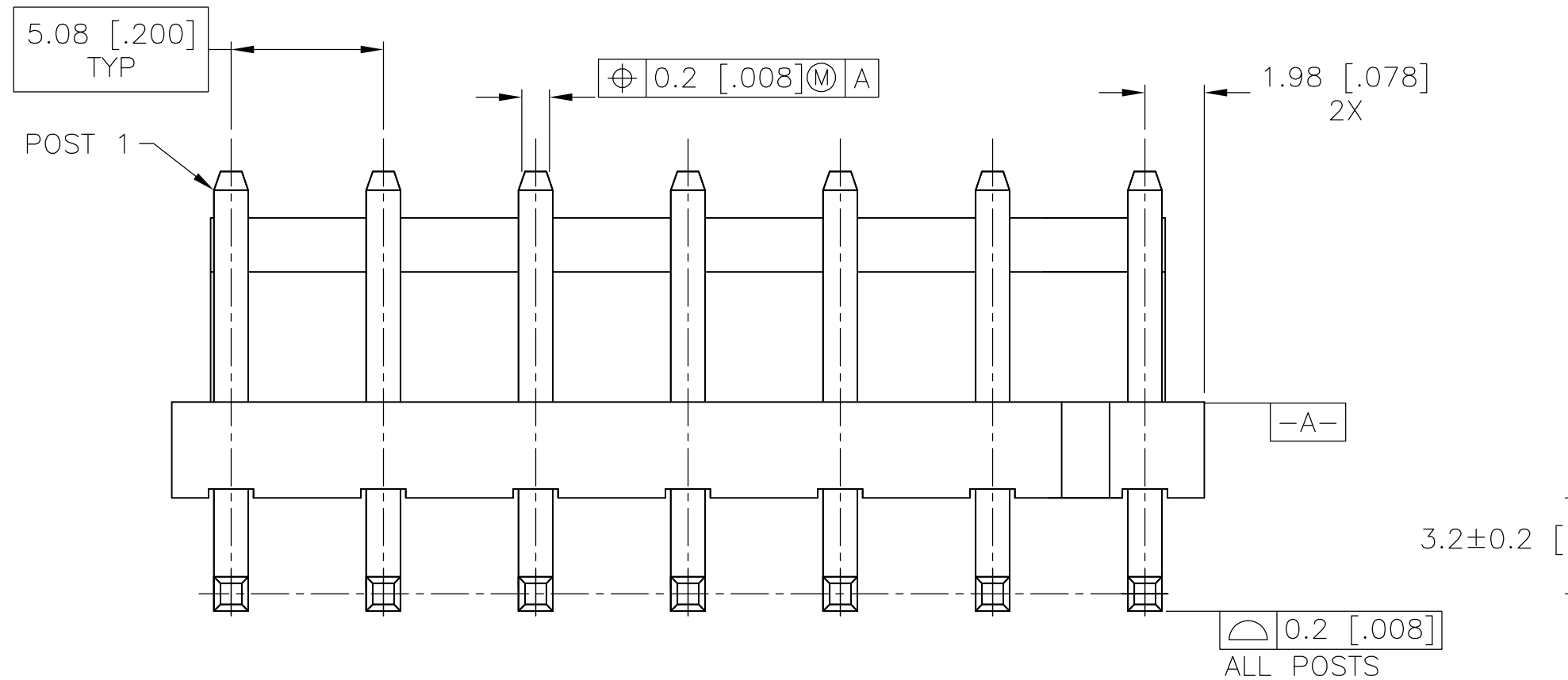
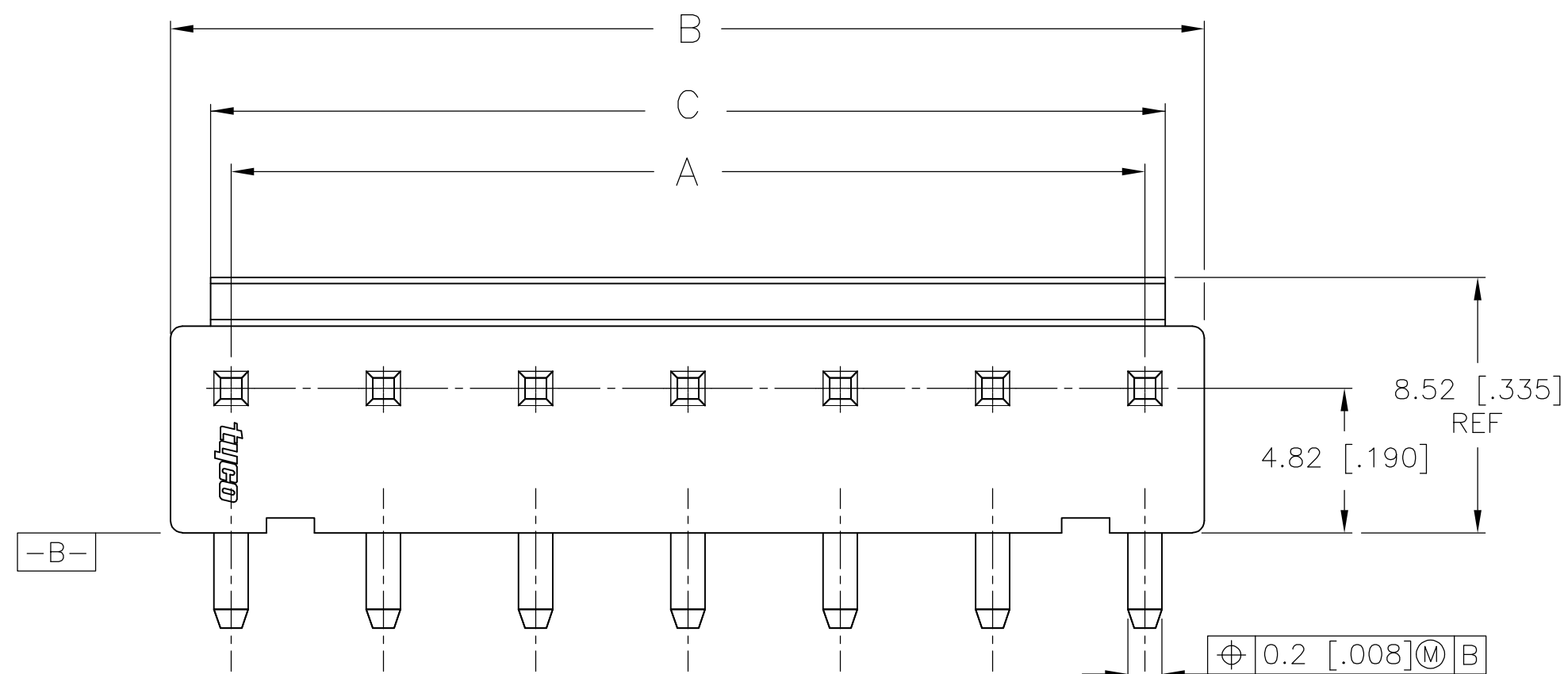


THIS DRAWING IS UNPUBLISHED. RELEASED FOR PUBLICATION  
 © COPYRIGHT BY TYCO ELECTRONICS CORPORATION. ALL RIGHTS RESERVED.

LOC		DIST		REVISIONS			
P	LTR	DESCRIPTION		DATE	DWN	APVD	
GP	00	A	REVISED PER ECO-09-017647	29OCT2009	CR	CR	



1. HOUSING MATERIAL: NYLON 66, UL 94V-0, NATURAL.
2. CONTACT MATERIAL: COPPER ALLOY
3. CONTACT PLATING: 0.002[.000080] MIN TIN OVER 0.00076[.000030] MIN NICKEL.

12	57.22 [2.254]	59.84 [2.357]	55.88 [2.200]	1-1744048-2
11	52.14 [2.054]	54.76 [2.157]	50.8 [2.000]	1-1744048-1
10	47.06 [1.854]	49.68 [1.957]	45.72 [1.800]	1-1744048-0
9	41.98 [1.654]	44.6 [1.757]	40.64 [1.600]	1744048-9
8	36.9 [1.453]	39.52 [1.557]	35.56 [1.400]	1744048-8
7	31.82 [1.253]	34.44 [1.356]	30.48 [1.200]	1744048-7
6	26.74 [1.053]	29.36 [1.156]	25.4 [1.000]	1744048-6
5	21.66 [.853]	24.28 [.956]	20.32 [.800]	1744048-5
4	16.58 [.653]	19.2 [.756]	15.24 [.600]	1744048-4
3	11.5 [.453]	14.12 [.556]	10.16 [.400]	1744048-3
2	6.42 [.253]	9.04 [.356]	5.08 [.200]	1744048-2
NO. OF POSITIONS	DIM C ±0.2 [.008]	DIM B ±0.3 [.012]	DIM A ±0.3 [.012]	PART NUMBER

**METRIC**

THIS DRAWING IS A CONTROLLED DOCUMENT.

DIMENSIONS: mm [INCHES]	TOLERANCES UNLESS OTHERWISE SPECIFIED: 0 PLC ± - 1 PLC ± 0.25 [.010] 2 PLC ± 0.15 [.006] 3 PLC ± - 4 PLC ± - ANGLES ± - FINISH ± -	DWN S. HOOVER 28-APR-2004 CHK J. ELLIS 28-APR-2004 APVD J. ELLIS 28-APR-2004 PRODUCT SPEC APPLICATION SPEC WEIGHT CUSTOMER DRAWING	Tyco Electronics Corporation Harrisburg, Pa 17105-3608 NAME HEATER ASSEMBLY-ECONOMY POWER RIGHT ANGLE, .200 CENTER LINE SIZE A2 CAGE CODE 00779 DRAWING NO C=1744048 RESTRICTED TO - SCALE 5:1 SHEET 1 OF 1 REV A
----------------------------	---	--	--