

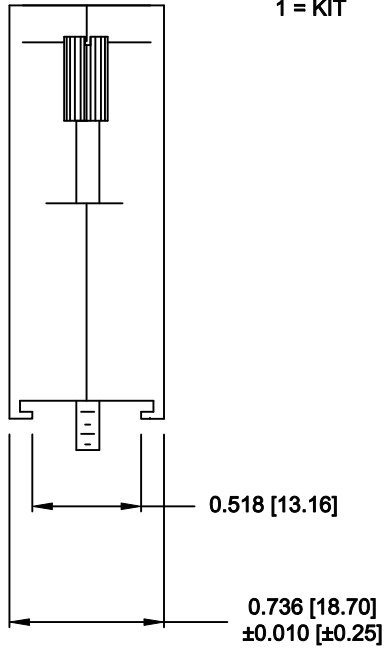
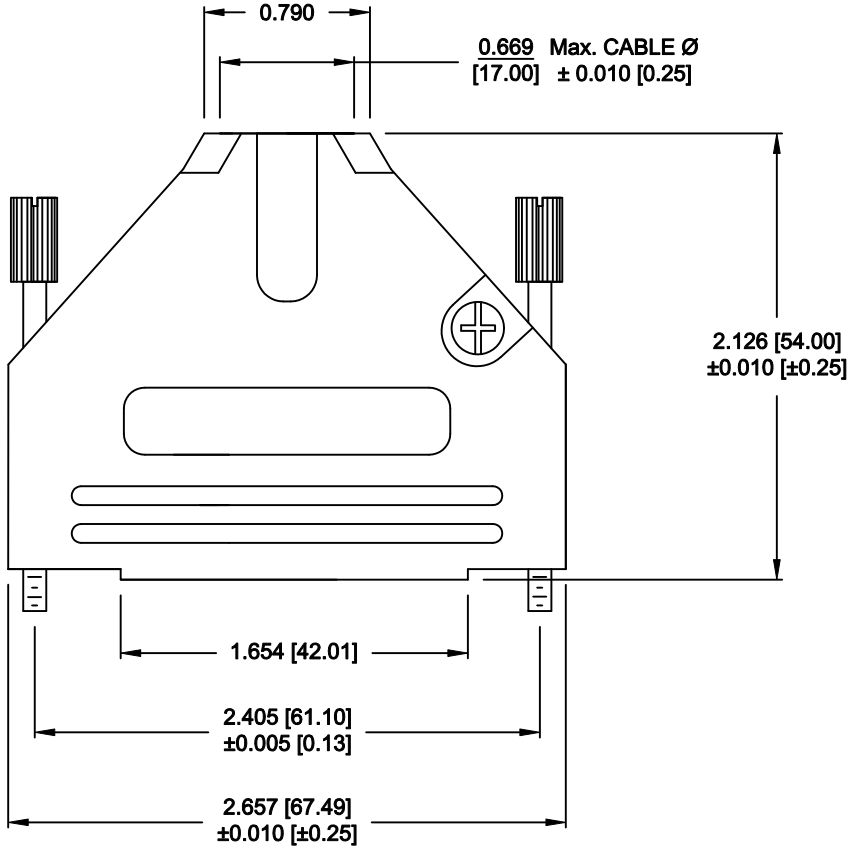
**BACKSHELL KIT INCLUDES:**

- (2) BACKSHELL HALVES
- (2) 4-40 THUMBSCREWS
- (2) HOUSING SCREWS
- (2) STRAIN RELIEF SCREWS
- (1) STRAIN RELIEF
- (1) SET OF COMPRESSION INSERTS - VARIOUS SIZES  
 DIAMETERS: 0.433[11.00], 0.492[12.50], 0.551[14.00], 0.591[15.00] & 0.669[17.00] (WITHOUT GROMMET)


MATERIAL: DIE-CAST ZINC ALLOY  
 PLATING: NICKEL OVER COPPER  
 JACKSCREWS: STEEL, ZINC PLATED  
 M3 HOODSCREWS: STEEL, ZINC PLATED  
 COMPRESSION INSERT: ABS UL RECOGNIZED  
 OPERATING TEMP: -30°C TO +90°C

**970-050-030R121**

SERIES \_\_\_\_\_  
 POSITIONS \_\_\_\_\_  
 050 \_\_\_\_\_  
 MATERIAL \_\_\_\_\_  
 030 = ZINC ALLOY \_\_\_\_\_  
 COLOR \_\_\_\_\_  
 12 = NICKEL OVER COPPER \_\_\_\_\_  
 PUT-UPS \_\_\_\_\_  
 1 = KIT \_\_\_\_\_



RoHS COMPLIANT

	THESE DRAWINGS AND SPECIFICATIONS ARE THE PROPERTY OF NorComp AND SHALL NOT BE REPRODUCED, COPIED OR USED AS THE BASIS FOR THE MANUFACTURE OR SALE OF APPARATUS WITHOUT WRITTEN PERMISSION.		DRAWN: <b>M. SIGMON</b>	DATE: <b>04-23-12</b>
				CHECKED:
<b>NorComp</b>		SCALE	SHEET 1 OF 1	REV 0
		DWG NO. <b>970-050-030R121</b>		