

ATLANTIC VERSION TERMINATOR INTERFACE ADAPTER	PART NUMBER	REVISION	DESCRIPTION	FEED TYPE	CONVERT TO	PART NUMBERS REQUIRED					
	2150536-1	B	FINE CRIMP HEIGHT ADJUST	MECHANICAL	PNEUMATIC FEED	2119950-1	2119792-2	-	2119641-1	-	2063440-1
	2150536-2	B	FINE CRIMP HEIGHT ADJUST	PNEUMATIC	SERVO LATCH PLATE	2119951-1	1901697-1	8-2150536-5	-	-	2168400-7 (QUANTITY 2)
					SMART APPLICATOR	2161326-1	-	8-2150536-4	-	-	-
					MECHANICAL FEED	2119949-1	2063961-1	5-18022-5	2119653-1	-	-
	2150536-5	B	FINE CRIMP HEIGHT ADJUST	SERVO LATCH PLATE	SERVO LATCH PLATE	2119951-1	1901697-1	8-2150536-5	-	-	2168400-7 (QUANTITY 2)
					SMART APPLICATOR	2161326-1	-	8-2150536-4	-	-	-
	2150536-6	B	NON-CRIMP HEIGHT ADJUST	SERVO LATCH PLATE	MECHANICAL FEED	2119949-1	2063961-1	5-18022-5	2119653-1	-	-
2150536-7	B	FINE CRIMP HEIGHT ADJUST	NONE	PNEUMATIC FEED	2119950-1	2119792-2	-	2119641-1	-	2063440-1	
7-2150536-7	A	CRIMP TOOLING KIT	-	-	-	-	-	-	-	-	

APPLICATOR DATA		
CRIMP	SIZE	TYPE
WIRE	3.94 mm [.155]	F
INSUL	5.59 mm [.220]	F
APPL INSTRUCTIONS 408-10390		

TERMINAL DATA: TE TERMINAL		TE CRIMP SPECIFICATION
TERMINAL NAME: RECEPTACLE FASTON .250 SERIES		
WIRE STRIP LENGTH		INSULATION DIAMETER RANGE
6.02-6.78 mm [.237-.267 IN]		Ø3.81-5.08 mm [.150-.200 IN]
TERMINAL APPLICATION SPECIFICATION	114-2036	
TERMINALS APPLIED		
TE TERMINAL	TE TERMINAL	TE TERMINAL
62428-2		

WIRE SIZE	CRIMP HEIGHT mm [INCH]	CRIMP HEIGHT REFERENCE SETTING
10 AWG	2.64+/-0.05 [.104+/- .002]	3.8
12 AWG	2.21+/-0.05 [.087+/- .002]	8.1

- 1 RECOMMENDED SPARE PARTS
- 2 GREASE BEARING SURFACES LIGHTLY
- 3 LUBRICATE DAILY PER THE APPLICATOR INSTRUCTION SHEET SUPPLIED WITH THE APPLICATOR.
- 4 APPLICATOR SPECIFIC DATA TO BE ENTERED INTO BLANK MEMORY CHIP AT ASSEMBLY. SEE BELOW FOR PART NUMBER:
 MECHANICAL FEED WITH "SMART APPLICATOR" CONVERSION: 8-2150536-4
 PNEUMATIC FEED WITH "SMART APPLICATOR" CONVERSION: 8-2150536-4
 SERVO FEED WITH "FINE CRIMP HEIGHT ADJUST": 8-2150536-5
 SERVO FEED WITH "NON-CRIMP HEIGHT ADJUST": 8-2150536-6
- 5. ADJUSTMENT OF THE STRIPPER MAY BE REQUIRED WHEN MOVING THE APPLICATOR BETWEEN BENCH AND LEADMAKER APPLICATIONS.
- 6 APPLY PART NUMBER 1-23419-5 LOCTITE TO THREADS OF ITEMS 62 & 180. APPLY PART NUMBER 2-23419-6 LOCTITE TO THREADS OF ITEM 242. FOR -6 ONLY APPLY PART NUMBER 1-23419-5 LOCTITE TO THREADS OF ITEMS 37 & 180.
- 7 GREASE THREADS, GROOVE AND O-RING ON ITEMS 35 & 252.
- 8 MAGNET, ITEM 166 MUST BE ORIENTED CORRECTLY IN ORDER TO PROPERLY ACTUATE THE COUNTER.
- 9 CRIMP HEIGHT REFERENCE SETTING WAS THE SETTING USED WHEN THE APPLICATOR WAS QUALIFIED AT THE FACTORY. ADJUSTMENT MAY BE NECESSARY WHEN RUNNING APPLICATOR IN THE FIELD.
- 10 SPARE FEED CAM STORAGE LOCATION REFER TO INSTRUCTION SHEET FOR ADDITIONAL INFORMATION.
- 11 THE RECOMMENDED SET-UP FOR END FEED APPLICATORS IS POST-FEED WITH ITEM 2119653-1. THE APPLICATOR CAN BE CONFIGURED FOR PRE-FEED WITH ITEM 2119652-1 BUT MAY ENCOUNTER PROBLEMS WITH SOME APPLICATIONS. FEED ISSUES OR TERMINAL JAMMING MAY OCCUR IN THE PRE-FEED CONFIGURATION.
- 12 WHEN ASSEMBLING -6 NON-CRIMP HEIGHT ADJUST APPLICATOR USE SHIM PACK 2119957-2 TO ALIGN APPLICATOR'S MAXIMUM WIRE CRIMP HEIGHT AT NORMAL TERMINATOR SHUT HEIGHT

***WARNING**
 ON INSTALLATION, SET WIRE DISC, ITEM 40 TO LARGEST WIRE SIZE SETTING. USE OF SETTINGS BELOW MINIMUM REQUIRED CRIMP HEIGHT SETTING WILL CAUSE DAMAGE TO CRIMP TOOLING.

-77	-7	-6	-5	-2	-1	PART NO	DESCRIPTION	ITEM NO
-	-	1	-	-	-	2119957-2	APPLICATOR SHIM PACK	260
-	1	-	1	1	1	8-21084-0	O-RING, .676 ID, .070 DIA. MAT.	252
-	-	-	-	1	-	2119640-1	PUSH ROD, AIR FEED	250
-	-	-	-	1	-	2079988-1	BUSHING, LCH5-12, MISUMI	249
-	-	-	-	1	-	2119641-1	FEED CAM, AIR FEED	248
-	1	-	1	1	1	2119798-1	DETENT PIN	247
-	1	-	1	1	1	1-22279-3	SPRING, COMPRESSION	246

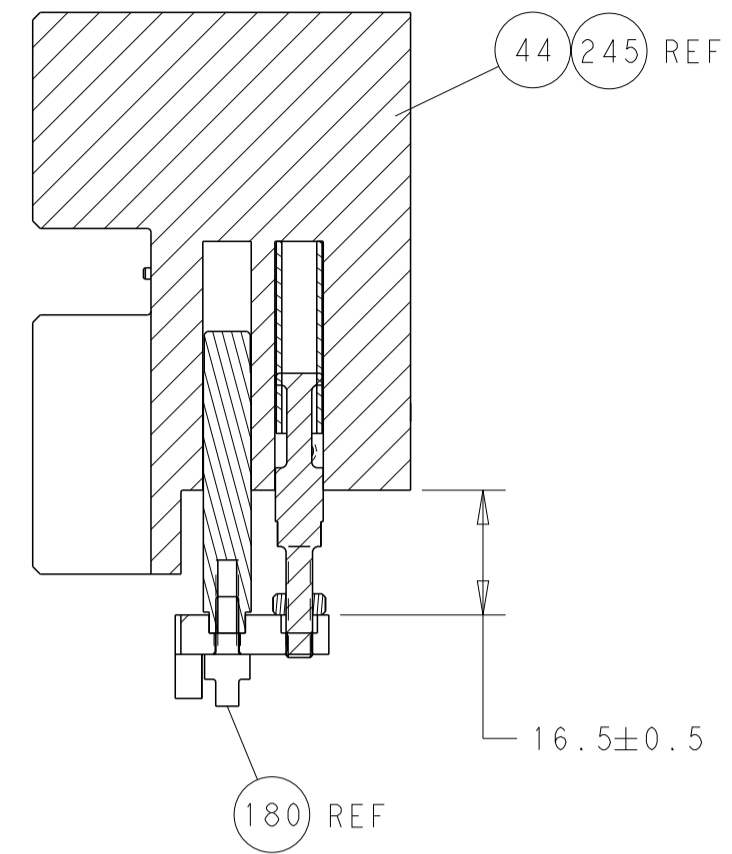
ATLANTIC VERSION
 Shown on sheets 1 of 4 & 2 of 4
 (Pacific version shown on sheets 3 of 4 & 4 of 4)

SET UP GAUGE	LOC	DIST	REVISIONS					
2119599-2	A	66	P	LTM	DESCRIPTION	DATE	OWN	APVD
			B		ECR-17-004318	24MAR2017	MR	CT

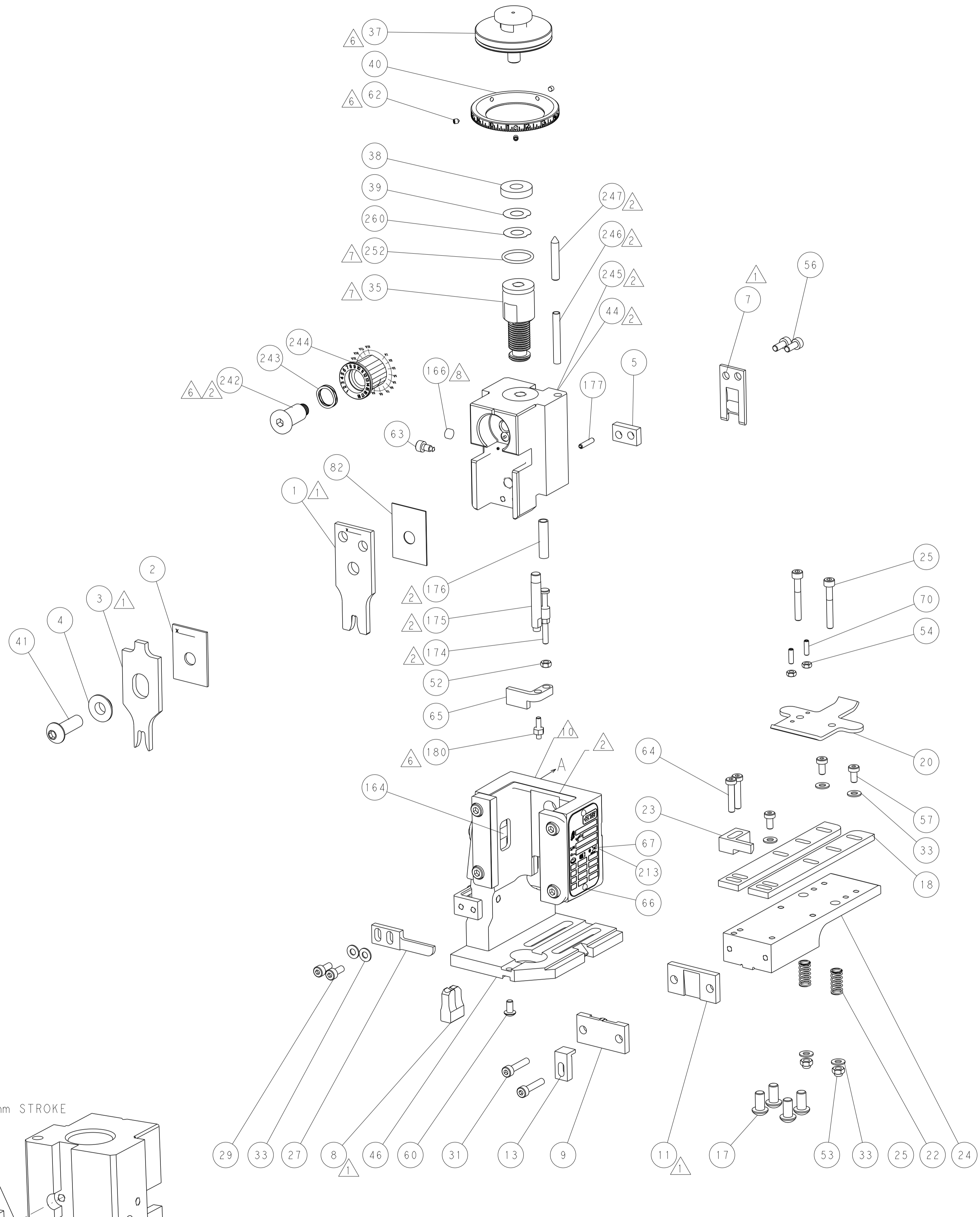
-	-	1	-	-	-	2119759-1	RAM, AMP STYLE, END FEED, NON-ADJUST	245
-	1	1	1	1	1	2119082-3	CAM, SNAIL, INSULATION ADJUSTMENT	244
-	1	1	1	1	1	2079764-1	WASHER, WAVE SPRING, CREST-TO-CREST	243
-	1	1	1	1	1	2119083-1	RETAINER, INSULATION DIAL	242
-	-	2	2	-	-	2168400-7	SHCS, LOW HEAD, RoHS, M5 X 10	240
-	-	-	-	-	1	2119580-1	MECHANICAL FEED ASSEMBLY	239
-	-	-	-	1	-	2063440-1	AIR FEED MODULE	238
-	-	1	1	-	-	2119740-2	TAG, IDENTIFICATION	213
-	-	REFREF	-	-	-	1901697-1	FEED FINGER ASSEMBLY, EF	183
-	1	1	1	1	1	1-1976055-2	STANDOFF, HOLD-DOWN	180
-	1	1	1	1	1	6-993111-6	PIN, SLOTTED SPRING 3.0 X 14.0	177
-	1	1	1	1	1	8-22280-7	SPRING, COMPRESSION	176
-	1	1	1	1	1	1752353-2	GUIDE PIN, HOLDDOWN	175
-	1	1	1	1	1	1901680-2	GUIDE PIN, HOLDDOWN	174
-	-	-	-	2	-	21045-3	RING, RETAIN, EXTERN, 3/16 CRESCENT	172
-	1	1	1	1	1	994969-1	MAGNET, RARE EARTH HIGH ENERGY	166
-	REFREFREFREFREFREF	-	-	-	-	994970-2	COUNTER, MAGNETIC	164
-	-	-	-	1	-	240638-1	SPRING, FEED FINGER	163
-	-	-	-	1	-	3-23627-7	PIN, RETAIN, GRVD, 3/16 X .854	137
-	-	REFREF	-	-	-	SEE NOTE 4	MEMORY CHIP, PROGRAMMED	135
-	-	1	1	-	-	1633743-1	SERVO FEED LATCH ASM	133
-	1	1	1	1	1	455888-5	SPACER, CRIMPER	82
-	1	1	1	1	1	2119956-2	DOCUMENTATION PACKAGE	71
-	2	2	2	2	2	2-18032-2	SCR, SET, FLT POINT M3 X 10.0	70
-	1	-	-	1	1	2119740-1	TAG, IDENTIFICATION	67
-	2	2	2	2	2	2168078-1	SCREW, DRIVE, RH, RoHS, 2 x .188	66
-	1	1	1	1	1	1901681-5	HOLDDOWN, TERMINAL	65
-	2	2	2	2	2	2168400-5	SHCS, LOW HEAD, RoHS, M4 X 20	64
-	1	-	-	1	1	2119793-1	LIMITER, ADJUSTMENT BOLT	63
-	3	-	3	3	3	992763-5	SCR, SET, SOC, CONE POINT, M3 X 4.0	62
-	1	1	1	1	1	2079383-4	SCR, BHSC, RoHS (M4 X 8)	60
-	-	-	-	-	1	5-18022-5	SCR, HEX HD CAP, M4 X 6.0	59
-	-	-	-	-	1	2063961-1	FEED FINGER	58
-	3	3	3	3	3	2168400-4	SHCS, LOW HEAD, RoHS, M4 X 8	57
-	2	2	2	2	2	1-2168083-0	SCR, SKT HD CAP, RoHS, M4 X 10	56
-	2	2	2	2	2	5018030-1	NUT, HEX, REG, RoHS, M3	54
-	2	2	2	2	2	986965-8	NUT, LOCK, HEX, TORQUE (M4)	53
-	1	1	1	1	1	1-5018030-0	NUT, HEX, REG, RoHS, M3.5	52
-	-	-	-	1	-	2119792-2	PAWL, EF, AIR	51
-	-	-	-	1	2	18023-9	SCR, SKT HD CAP M4 X 6.0	49
-	-	-	-	-	1	2119652-1	FEED CAM, PRE FEED	48
-	-	-	-	-	1	2119653-1	FEED CAM, POST FEED	47
-	1	1	1	1	1	2119655-5	APPLICATOR BASIC ASSEMBLY, EF	46
-	1	-	1	1	1	2119369-1	RAM, AMP STYLE, END FEED	44
-	1	1	1	1	1	2079383-7	SCR, BHSC, RoHS (M8 X 25)	41
-	1	-	1	1	1	2119645-1	DISC, NUMBERED FA WIRE ADJUSTMENT	40
-	1	-	1	1	1	2119957-1	APPLICATOR SHIM PACK	39
-	1	1	1	1	1	2119644-3	RAM WASHER, PRECISION	38
-	1	1	1	1	1	2119085-1	FA HEAD, ATLANTIC STYLE	37
-	1	-	1	1	1	2119092-1	BOLT, ADJUSTMENT	35
-	7	7	7	7	7	1-18028-2	WASHER, FLAT, REG M4	33
-	2	2	2	2	2	2168083-9	SCR, SKT HD CAP, RoHS, M4 X 20	31
-	2	2	2	2	2	1-2168083-0	SCR, SKT HD CAP, RoHS, M4 X 10	29
-	1	1	1	1	1	240639-1	STRIPPER (MACHINING)	27
-	2	2	2	2	2	1-2168083-5	SCR, SKT HD CAP, RoHS, M4 X 30	25
-	1	1	1	1	1	1752371-5	PLATE, STRIP GUIDE	24
-	1	1	1	1	1	240825-2	PLATE, STRIP HOLD DOWN	23
-	2	2	2	2	2	2-22281-3	SPRING, COMPRESSION	22
-	1	1	1	1	1	1803292-4	DRAG	20
-	2	2	2	2	2	1901259-7	GUIDE, LOWER STRIP	18
-	4	4	4	4	4	1-2079383-1	SCR, BHSC, RoHS (M6 X 12)	17
-	1	1	1	1	1	1752360-1	SPACER, HOLD-DOWN	13
-	1	1	1	1	1	240644-9	PLATE, REAR SHEAR	11
-	-	-	-	-	-	-	-	10
-	1	1	1	1	1	4-690495-3	PLATE, FRONT SHEAR	9
-	1	1	1	1	1	7-1803000-3	ANVIL, COMBINATION, END FEED	8
-	1	1	1	1	1	690474-8	BLADE, SLUG	7
-	-	-	-	-	-	-	-	6
-	1	1	1	1	1	3-240641-2	SPACER	5
-	1	1	1	1	1	2-238009-9	BLOCK, FL CRIMPER SPACER	4
-	1	1	1	1	1	8-2119582-3	CRIMPER, INSULATION F PREMIUM	3
-	1	1	1	1	1	1-455888-2	SPACER, CRIMPER	2
-	1	1	1	1	1	1-456415-0	CRIMPER, WIRE .155 F PREMIUM	1

DIMENSIONS:		TOLERANCES UNLESS OTHERWISE SPECIFIED:		DATE		NAME	
mm	0 PLC ±	1 PLC ±	2 PLC ±	3 PLC ±	4 PLC ±	5 PLC ±	ANGLES ±
MATERIAL:	FINISH:	WEIGHT:	SCALE:	1:1	SHEET:	1 OF 4	REV:
Customer Accessible Production Drawing				B			

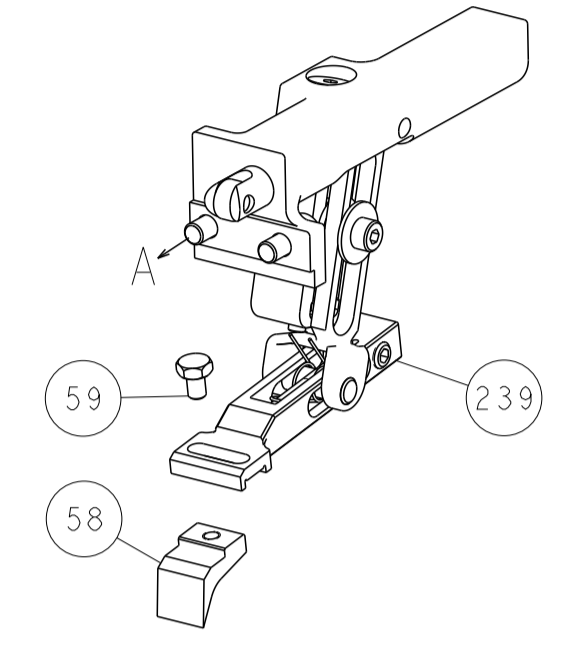
LOC	DIST	REV	DESCRIPTION	DATE	OWN	APVD
A	66		SEE SHEET 1			



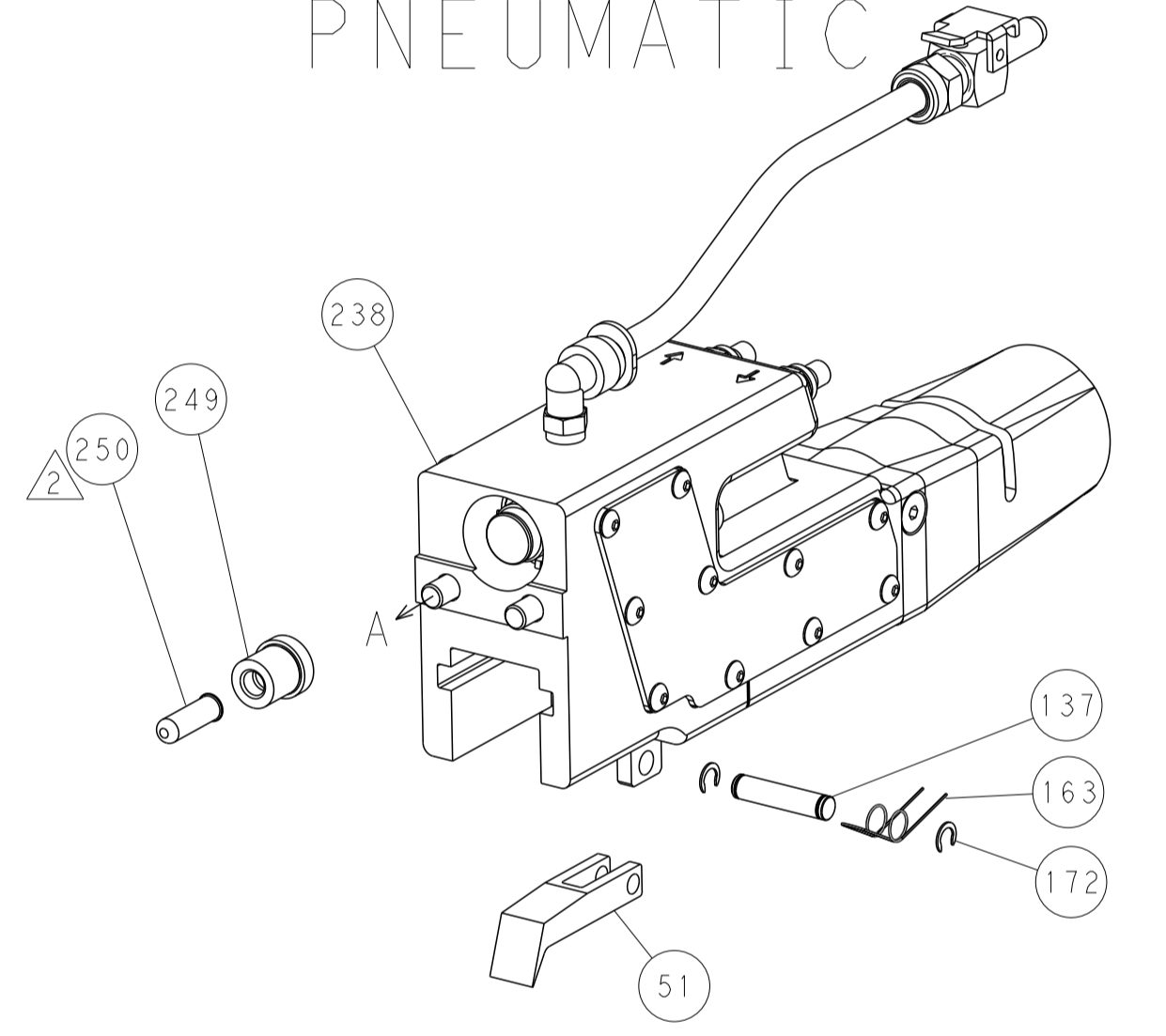
HOLDDOWN SET-UP



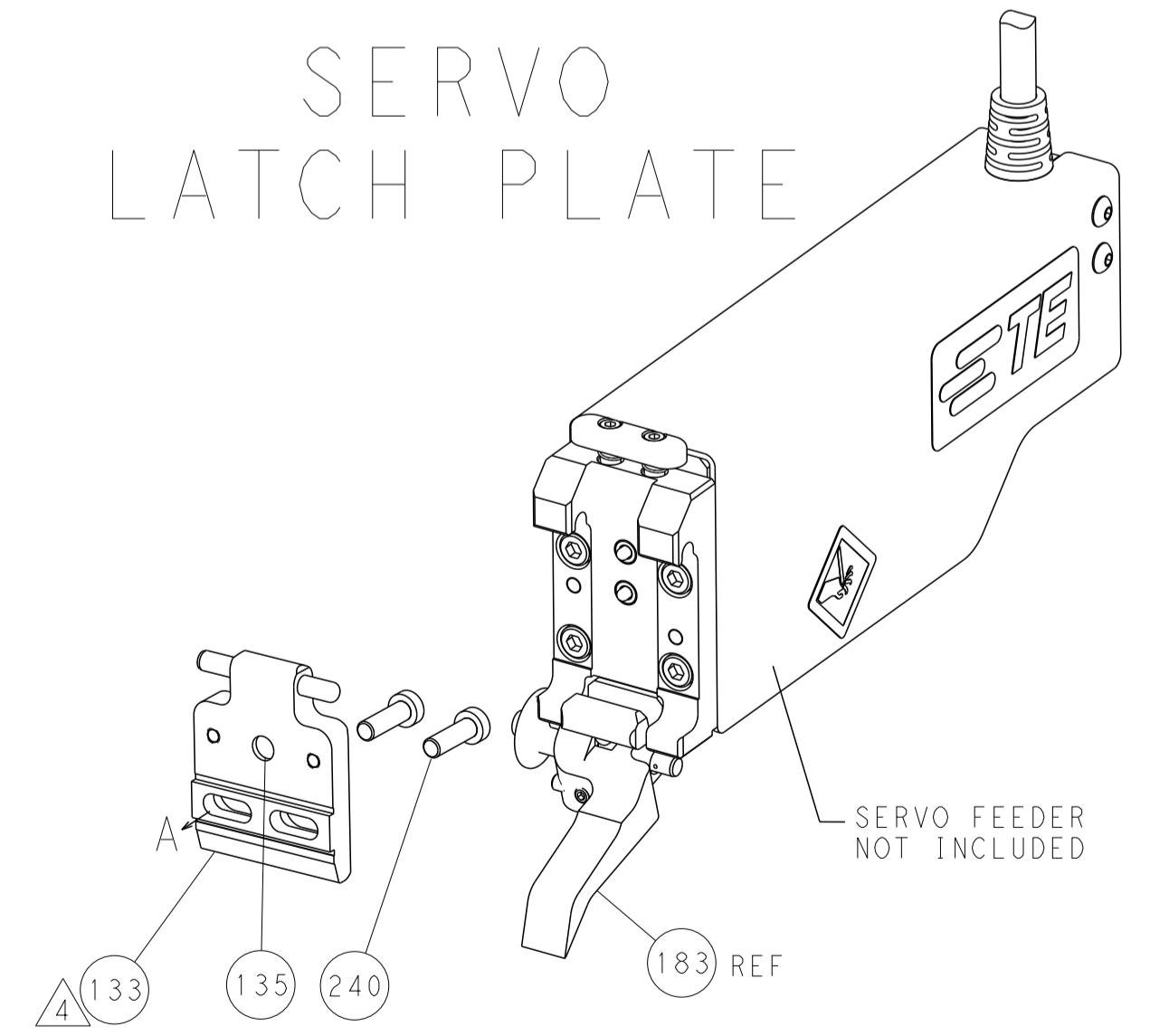
FEED TYPE
MECHANICAL



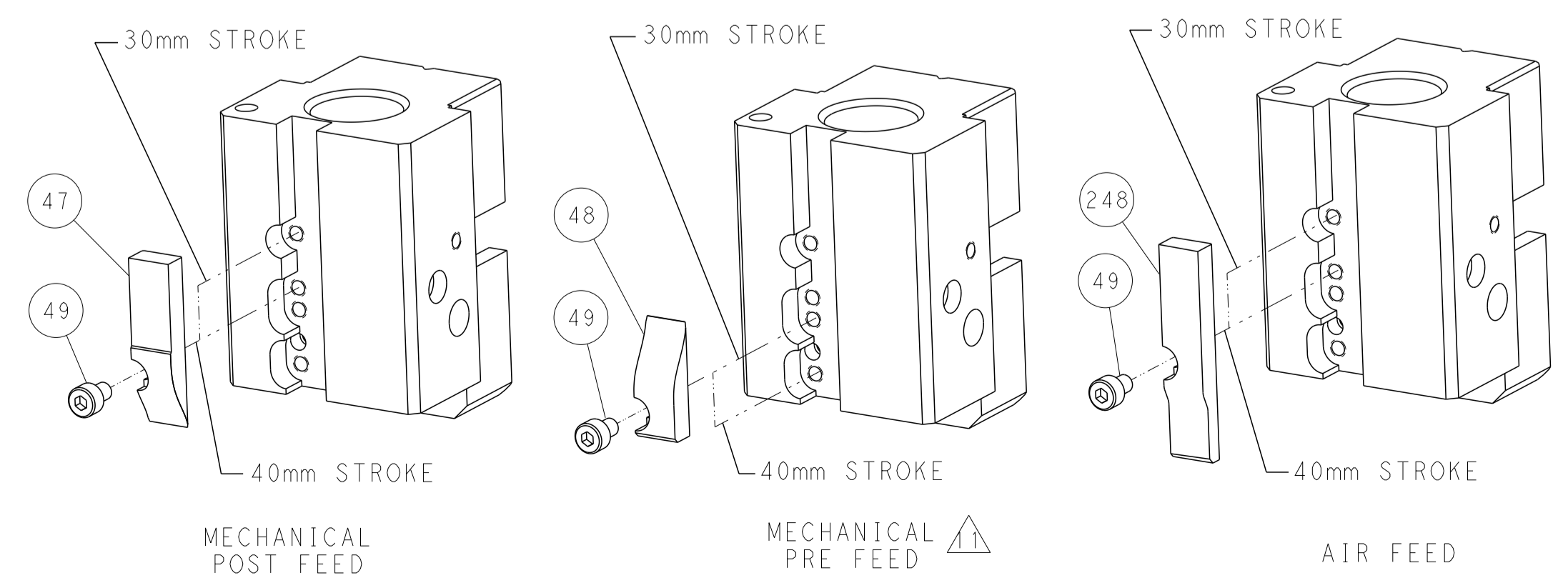
PNEUMATIC



SERVO
LATCH PLATE



CAM POSITIONS



ATLANTIC VERSION
 Shown on sheets 1 of 4 & 2 of 4
 (Pacific version shown on sheets 3 of 4 & 4 of 4)

DIMENSIONS:		TOLERANCES UNLESS OTHERWISE SPECIFIED:		DWG		REV	
mm	0 PLC	±		J. HOU	10MAR2015	STE	TE Connectivity
	1 PLC	±		L. ZHANG	10MAR2015		Harrisburg, PA 17105-3608
	2 PLC	±		H. GUO	10MAR2015		
	3 PLC	±					
	4 PLC	±					
	ANGLES	±					
	FINISH						
MATERIAL				NAME		SIZE	CAGE CODE
				Ocean End Feed		00779	2150536
				Applicator		Customer Accessible Production Drawing	SCALE
						1:1	SHEET 2 OF 4
							REV B

PACIFIC VERSION TERMINATOR INTERFACE ADAPTER	PART NUMBER	REVISION	DESCRIPTION	FEED TYPE	APPLICATOR STYLE CONVERSION CHART						
					CONVERT TO	PART NUMBERS REQUIRED					
	2-2150536-1	B	FINE CRIMP HEIGHT ADJUST	MECHANICAL	PNEUMATIC FEED	2119950-1	2119792-2	-	2119641-2	-	2063440-1
					SERVO LATCH PLATE	2119951-1	1901697-1	8-2150536-5	-	2168400-7 (QUANTITY 2)	
					SMART APPLICATOR	2161326-1	-	8-2150536-4	-	-	
	2-2150536-2	B	FINE CRIMP HEIGHT ADJUST	PNEUMATIC	MECHANICAL FEED	2119949-1	2063961-1	5-18022-5	2119653-2	-	-
					SERVO LATCH PLATE	2119951-1	1901697-1	8-2150536-5	-	2168400-7 (QUANTITY 2)	
					SMART APPLICATOR	2161326-1	-	8-2150536-4	-	-	
	2-2150536-5	B	FINE CRIMP HEIGHT ADJUST	SERVO LATCH PLATE	MECHANICAL FEED	2119949-1	2063961-1	5-18022-5	2119653-2	-	-
					PNEUMATIC FEED	2119950-1	2119792-2	-	2119641-2	-	2063440-1
	2-2150536-7	B	FINE CRIMP HEIGHT ADJUST	NONE	-	-	-	-	-	-	-
	7-2150536-7	A	CRIMP TOOLING KIT	-	-	-	-	-	-	-	-

APPLICATOR DATA		
CRIMP	SIZE	TYPE
WIRE	3.94 mm [1.155]	F
INSUL	5.59 mm [1.220]	F
APPL INSTRUCTIONS 408-10390		

TERMINAL DATA: TE TERMINAL		TE CRIMP SPECIFICATION
TERMINAL NAME: RECEPTACLE FASTON .250 SERIES		
WIRE STRIP LENGTH		INSULATION DIAMETER RANGE
6.02-6.78 mm [1.237-.267 IN]		Ø3.81-5.08 mm [1.150-.200 IN]
TERMINAL APPLICATION SPECIFICATION	114-2036	-
TERMINALS APPLIED		
TE TERMINAL	TE TERMINAL	TE TERMINAL
62428-2		

WIRE SIZE	CRIMP HEIGHT mm [INCH]	CRIMP HEIGHT REFERENCE SETTING
10 AWG	2.64 +/- 0.05 [1.104 +/- .002]	3.8
12 AWG	2.21 +/- 0.05 [1.087 +/- .002]	8.1

- RECOMMENDED SPARE PARTS
- GREASE BEARING SURFACES LIGHTLY
- LUBRICATE DAILY PER THE APPLICATOR INSTRUCTION SHEET SUPPLIED WITH THE APPLICATOR.
- APPLICATOR SPECIFIC DATA TO BE ENTERED INTO BLANK MEMORY CHIP AT ASSEMBLY. SEE BELOW FOR PART NUMBER:
 MECHANICAL FEED WITH "SMART APPLICATOR" CONVERSION: 8-2150536-4
 PNEUMATIC FEED WITH "SMART APPLICATOR" CONVERSION: 8-2150536-4
 SERVO FEED WITH "FINE CRIMP HEIGHT ADJUST": 8-2150536-5
- ADJUSTMENT OF THE STRIPPER MAY BE REQUIRED WHEN MOVING THE APPLICATOR BETWEEN BENCH AND LEADMAKER APPLICATIONS.
- APPLY PART NUMBER 1-23419-5 LOCTITE TO THREADS OF ITEMS 62 & 180. APPLY PART NUMBER 2-23419-6 LOCTITE TO THREADS OF ITEM 242.
- GREASE THREADS, GROOVE AND O-RING ON ITEMS 139 & 153.
- MAGNET, ITEM 166 MUST BE ORIENTED CORRECTLY IN ORDER TO PROPERLY ACTUATE THE COUNTER.
- CRIMP HEIGHT REFERENCE SETTING WAS THE SETTING USED WHEN THE APPLICATOR WAS QUALIFIED AT THE FACTORY. ADJUSTMENT MAY BE NECESSARY WHEN RUNNING APPLICATOR IN THE FIELD.
- SPARE FEED CAM STORAGE LOCATION REFER TO INSTRUCTION SHEET FOR ADDITIONAL INFORMATION.
- THE RECOMMENDED SET-UP FOR END FEED APPLICATORS IS POST-FEED WITH ITEM 2119653-1. THE APPLICATOR CAN BE CONFIGURED FOR PRE-FEED WITH ITEM 2119652-1 BUT MAY ENCOUNTER PROBLEMS WITH SOME APPLICATIONS. FEED ISSUES OR TERMINAL JAMMING MAY OCCUR IN THE PRE-FEED CONFIGURATION.

***WARNING**
 ON INSTALLATION, SET WIRE DISC, ITEM 40 TO LARGEST WIRE SIZE SETTING. USE OF SETTINGS BELOW MINIMUM REQUIRED CRIMP HEIGHT SETTING WILL CAUSE DAMAGE TO CRIMP TOOLING.

	ITEM NO	DESCRIPTION	ITEM NO
- 1 1 1 1 1	2119782-1	FINE ADJUST HEAD ASM, PACIFIC STYLE	251
- - - 1 -	2119640-1	PUSH ROD, AIR FEED	250
- - - 1 -	2079988-1	BUSHING, LCH5-12, MISUMI	249
- 1 1 1 1 1	1-22279-3	SPRING, COMPRESSION	246
- 1 1 1 1 1	2119082-3	CAM, SNAIL, INSULATION ADJUSTMENT	244
-77-27-25-22-21	PART NO	DESCRIPTION	ITEM NO

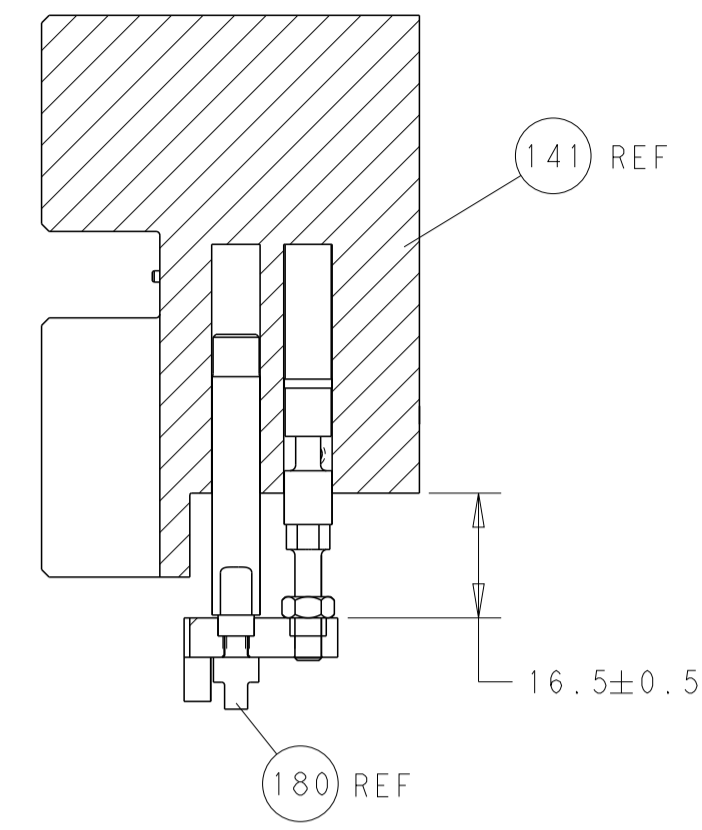
PACIFIC VERSION
 Shown on sheets 3 of 4 & 4 of 4
 (Atlantic version shown on sheets 1 of 4 & 2 of 4)

SET UP GAUGE	LOC	DIST	REVISIONS			
2119599-2	A	66	REV	DATE	BY	APPV
			-	SEE SHEET 1	-	-

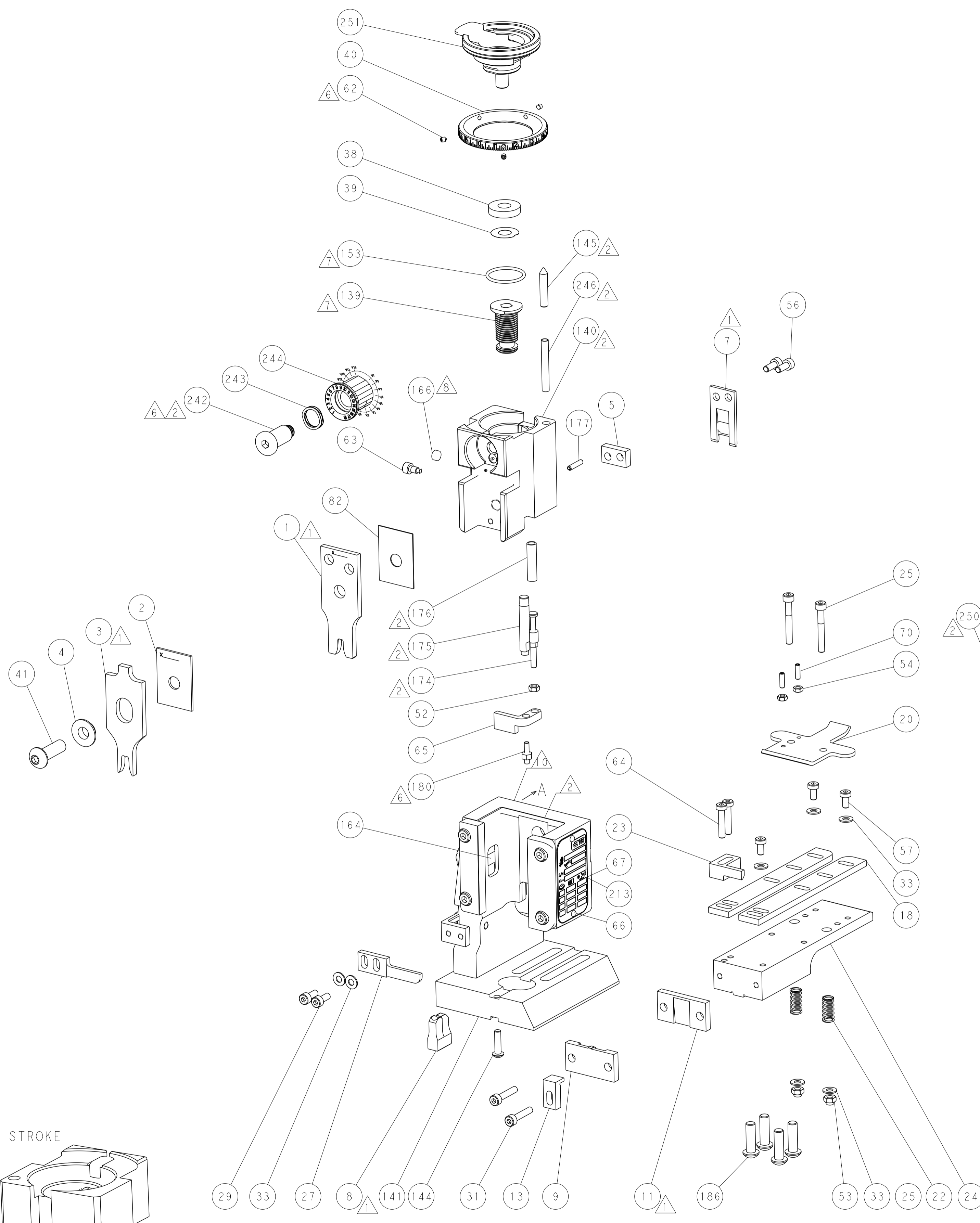
- 1 1 1 1 1	2079764-1	WASHER, WAVE SPRING, CREST-TO-CREST	243
- 1 1 1 1 1	2119083-1	RETAINER, INSULATION DIAL	242
- - 2 - -	2168400-7	SHCS, LOW HEAD, RoHS, M5 X 10	240
- - - 1 -	2119580-1	MECHANICAL FEED ASSEMBLY	239
- - - 1 -	2063440-1	AIR FEED MODULE	238
- - 1 - -	2119740-2	TAG, IDENTIFICATION	213
- 4 4 4 4	2079383-9	SCR, BHSC, RoHS (M6 X 20)	186
- - REF - -	1901697-1	FEED FINGER ASSEMBLY, EF	183
- 1 1 1 1 1	1-1976055-2	STANDOFF, HOLD-DOWN	180
- 1 1 1 1 1	6-993111-6	PIN, SLOTTED SPRING 3.0 X 14.0	177
- 1 1 1 1 1	8-22280-7	SPRING, COMPRESSION	176
- 1 1 1 1 1	1752353-2	GUIDE PIN, HOLDDOWN	175
- 1 1 1 1 1	1901680-2	GUIDE PIN, HOLDDOWN	174
- - - 2 -	21045-3	RING, RETAIN, EXTERN, 3/16 CRESCENT	172
- 1 1 1 1 1	994969-1	MAGNET, RARE EARTH HIGH ENERGY	166
- REF REF REF REF	994970-2	COUNTER, MAGNETIC	164
- - - 1 -	240638-1	SPRING, FEED FINGER	163
- 1 1 1 1 1	8-21084-1	O-RING, .801 ID, .070 DIA. MAT.	153
- - - 1 -	2119641-2	FEED CAM, AIR FEED	152
- 1 1 1 1 1	2119798-2	DETENT PIN	145
- 1 1 1 1 1	2079383-8	SCR, BHSC, RoHS (M4 X 16)	144
- - - - 1	2119653-2	FEED CAM, POST FEED	142
- 1 1 1 1 1	2119655-6	APPLICATOR BASIC ASSEMBLY, EF	141
- 1 1 1 1 1	2119651-1	RAM, ASIAN STYLE, END FEED	140
- 1 1 1 1 1	2119092-2	BOLT, ADJUSTMENT	139
- - - 1 -	3-23627-7	PIN, RETAIN, GRVD, 3/16 X .854	137
- - REF - -	SEE NOTE 4	MEMORY CHIP, PROGRAMMED	135
- - 1 - -	1633743-1	SERVO FEED LATCH ASM	133
- 1 1 1 1 1	455888-5	SPACER, CRIMPER	82
- 1 1 1 1 1	2119956-2	DOCUMENTATION PACKAGE	71
- 2 2 2 2	2-18032-2	SCR, SET, FLT POINT M3 X 10.0	70
- 1 - 1 1 1	2119740-1	TAG, IDENTIFICATION	67
- 2 2 2 2	2168078-1	SCREW, DRIVE, RH, RoHS, 2 x .188	66
- 1 1 1 1 1	1901681-5	HOLDDOWN, TERMINAL	65
- 2 2 2 2	2168400-5	SHCS, LOW HEAD, RoHS, M4 X 20	64
- 1 1 1 1 1	2119793-1	LIMITER, ADJUSTMENT BOLT	63
- 3 3 3 3	992763-5	SCR, SET, SOC, CONE POINT, M3 X 4.0	62
- - - - 1	5-18022-5	SCR, HEX HD CAP, M4 X 6.0	59
- - - - 1	2063961-1	FEED FINGER	58
- 3 3 3 3	2168400-4	SHCS, LOW HEAD, RoHS, M4 X 8	57
- 2 2 2 2	1-2168083-0	SCR, SKT HD CAP, RoHS, M4 X 10	56
- 2 2 2 2	5018030-1	NUT, HEX, REG, RoHS, M3	54
- 2 2 2 2	986965-8	NUT, LOCK, HEX, TORQUE (M4)	53
- 1 1 1 1 1	1-5018030-0	NUT, HEX, REG, RoHS, M3.5	52
- - - 1 -	2119792-2	PAWL, EF, AIR	51
- - - 1 2	18023-9	SCR, SKT HD CAP M4 X 6.0	49
- - - - 1	2119652-1	FEED CAM, PRE FEED	48
- 1 1 1 1 1	2079383-7	SCR, BHSC, RoHS (M8 X 25)	41
- 1 1 1 1 1	2119645-1	DISC, NUMBERED FA WIRE ADJUSTMENT	40
- 1 1 1 1 1	2119957-1	APPLICATOR SHIM PACK	39
- 1 1 1 1 1	2119644-3	RAM WASHER, PRECISION	38
- 7 7 7 7	1-18028-2	WASHER, FLAT, REG M4	33
- 2 2 2 2	2168083-9	SCR, SKT HD CAP, RoHS, M4 X 20	31
- 2 2 2 2	1-2168083-0	SCR, SKT HD CAP, RoHS, M4 X 10	29
- 1 1 1 1 1	240639-1	STRIPPER (MACHINING)	27
- 2 2 2 2	1-2168083-5	SCR, SKT HD CAP, RoHS, M4 X 30	25
- 1 1 1 1 1	1752371-5	PLATE, STRIP GUIDE	24
- 1 1 1 1 1	240825-2	PLATE, STRIP HOLD DOWN	23
- 2 2 2 2	2-22281-3	SPRING, COMPRESSION	22
- 1 1 1 1 1	1803292-4	DRAG	20
- 2 2 2 2	1901259-7	GUIDE, LOWER STRIP	18
- 1 1 1 1 1	1752360-1	SPACER, HOLD-DOWN	13
- 1 1 1 1 1	240644-9	PLATE, REAR SHEAR	11
- - - - -	-	-	10
- 1 1 1 1 1	4-690495-3	PLATE, FRONT SHEAR	9
1 1 1 1 1 1	7-1803000-3	ANVIL, COMBINATION, END FEED	8
- 1 1 1 1 1	690474-8	BLADE, SLUG	7
- - - - -	-	-	6
- 1 1 1 1 1	3-240641-2	SPACER	5
- 1 1 1 1 1	2-238009-9	BLOCK, FL CRIMPER SPACER	4
1 1 1 1 1 1	8-2119582-3	CRIMPER, INSULATION F PREMIUM	3
- 1 1 1 1 1	1-455888-2	SPACER, CRIMPER	2
1 1 1 1 1 1	1-456415-0	CRIMPER, WIRE .155 F PREMIUM	1
-77-27-25-22-21	PART NO	DESCRIPTION	ITEM NO

DIMENSIONS:		TOLERANCES UNLESS OTHERWISE SPECIFIED:		DWG		CHK		APPV		NAME	
mm	0 PLC ±	1 PLC ±	2 PLC ±	3 PLC ±	4 PLC ±	5 PLC ±	6 PLC ±	7 PLC ±	8 PLC ±	9 PLC ±	10 PLC ±
MATERIAL:				SCALE		SHEET		OF		REV	
Customer Accessible Production Drawing				SCALE 1:1		SHEET 3 OF 4		REV B			

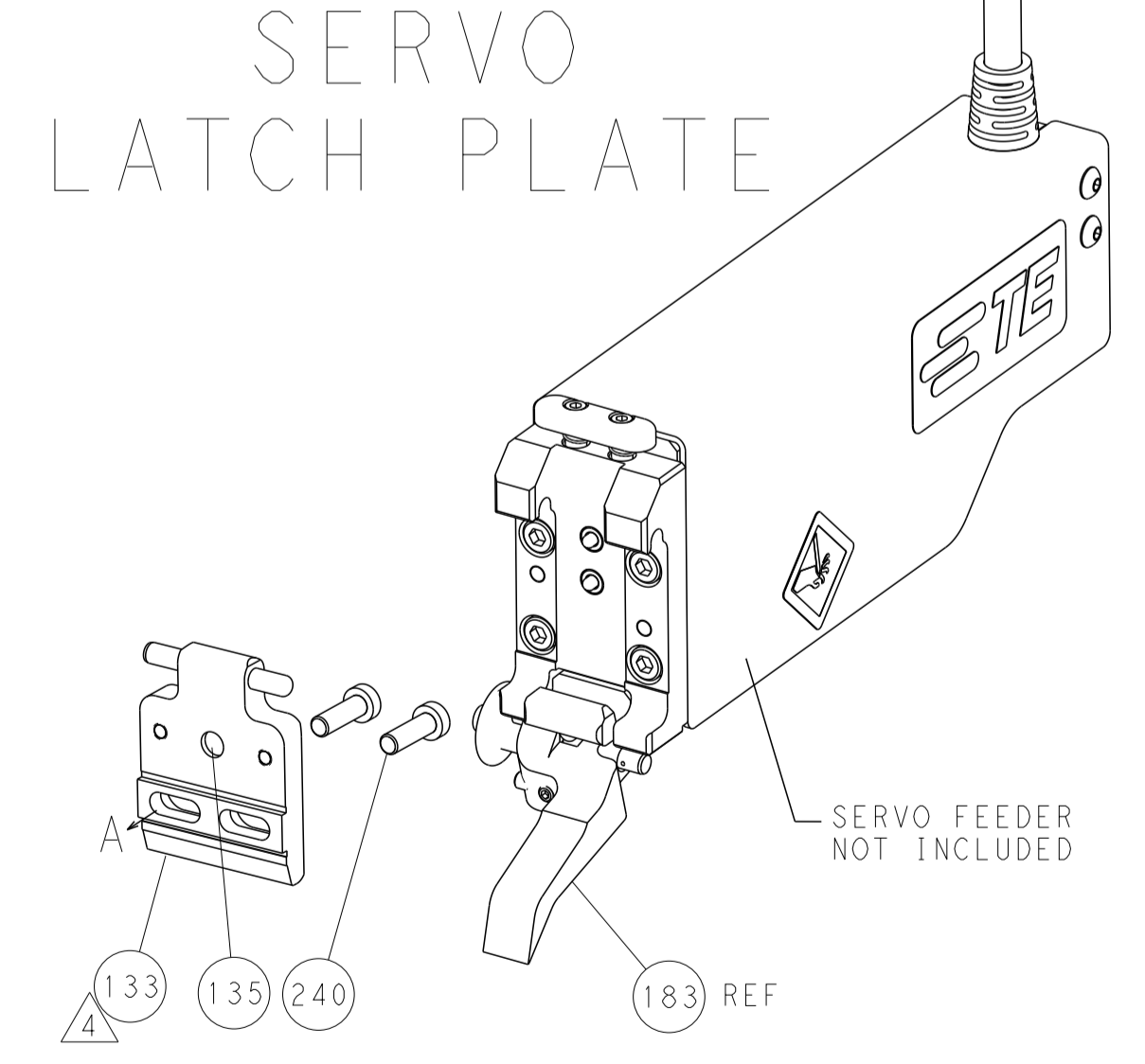
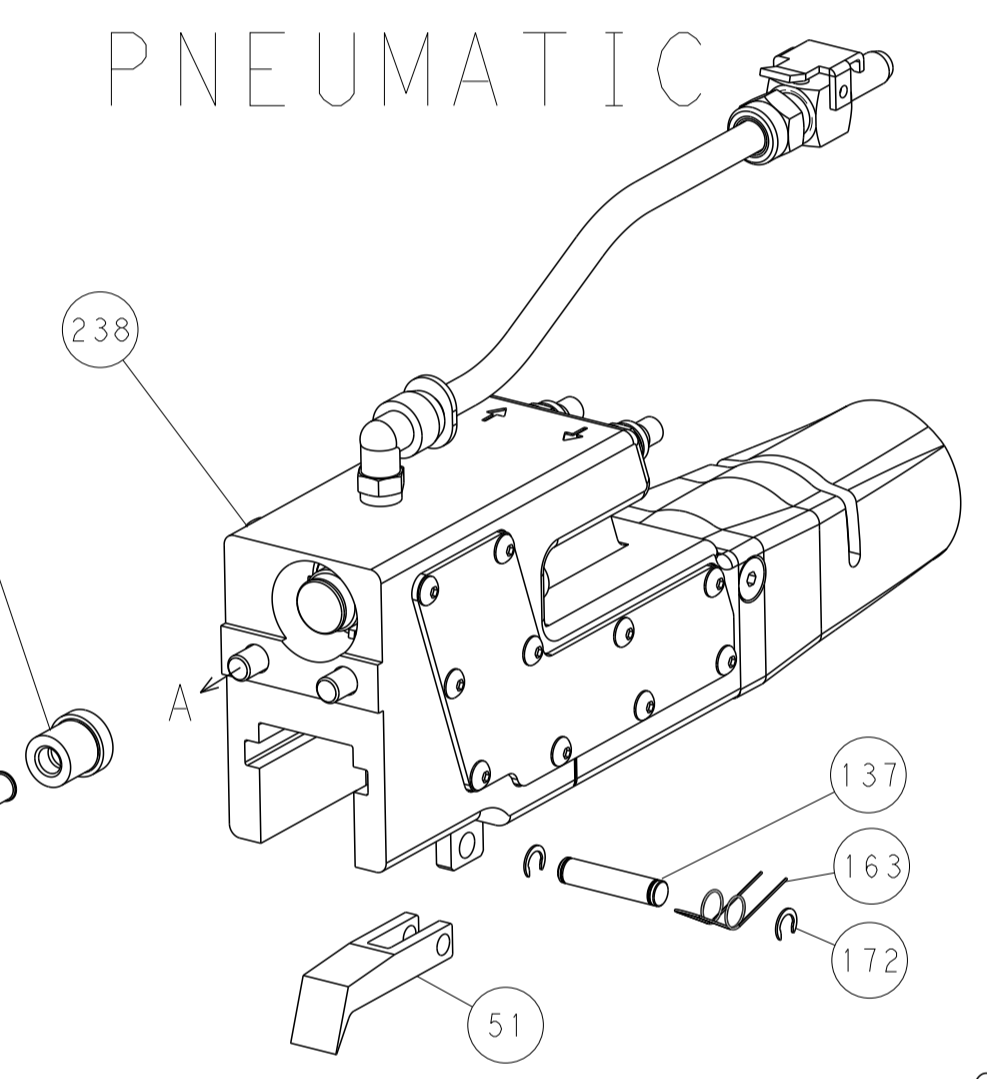
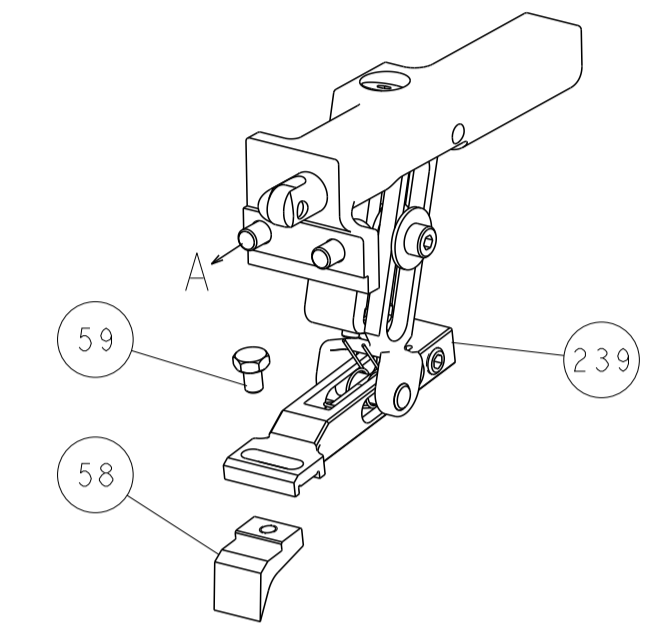
LOC		DIST		REVISIONS			
A	66	P	LTN	DESCRIPTION	DATE	DMN	APVD
		-		SEE SHEET 1	-	-	-



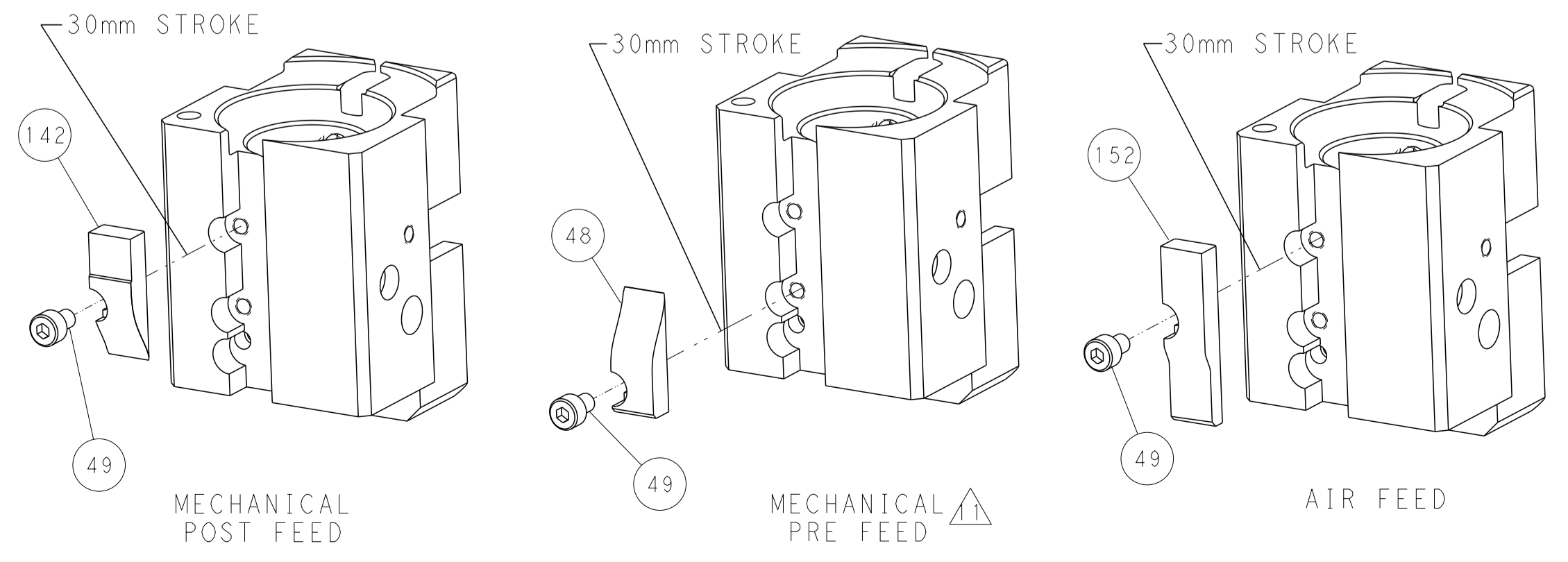
HOLDDOWN SET-UP



FEED TYPE
MECHANICAL



CAM POSITIONS



PACIFIC VERSION
 Shown on sheets 3 of 4 & 4 of 4
 (Atlantic version shown on sheets 1 of 4 & 2 of 4)

DIMENSIONS:		TOLERANCES UNLESS OTHERWISE SPECIFIED:		DWG: J. HOU 10MAR2015		CHK: L. ZHANG 10MAR2015		APVD: J. GUO 10MAR2015		NAME: Ocean End Feed Applicator	
mm	0 PLC ±	1 PLC ±	2 PLC ±	3 PLC ±	4 PLC ±	ANGLES ±	FINISH	SIZE: A1	CAGE CODE: 00779	DRAWING NO: C=2150536	RESTRICTED TO: -
MATERIAL:								WEIGHT:		SCALE: 1:1	SHEET 4 OF 4
Customer Accessible Production Drawing										REV B	