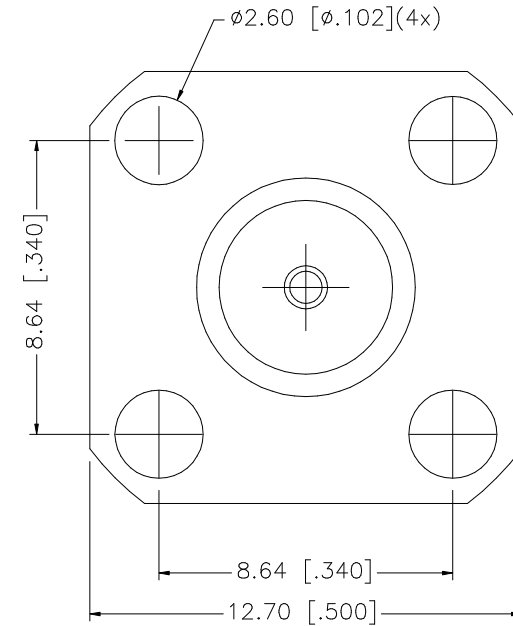
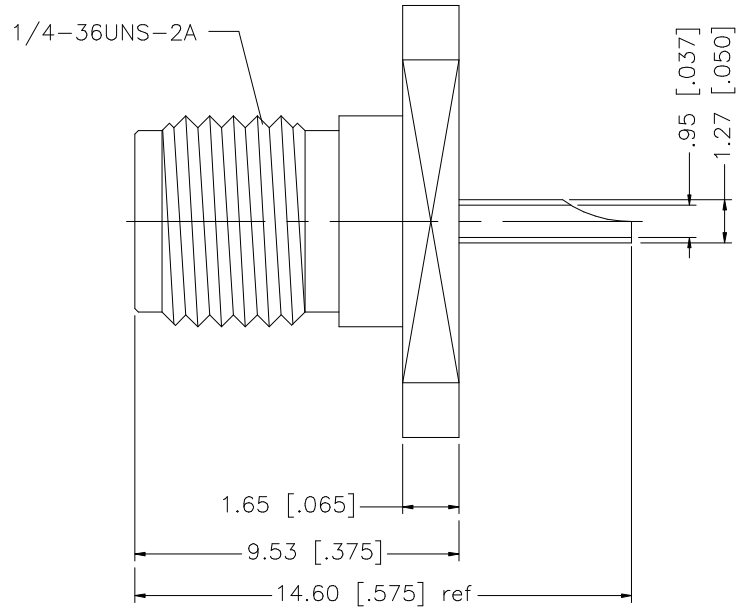


REV.	DATE	DESCRIPTION
NC	09/24/06	INITIAL RELEASE



8				<small>UNLESS OTHERWISE SPECIFIED DIMENSIONS ARE IN MILLIMETERS. DIMENSIONS IN [] ARE IN INCHES AND FOR CUSTOMER REFERENCE ONLY.</small> <small>UNLESS OTHERWISE SPECIFIED TOLERANCES FOR MILLIMETERS ARE:</small> 0.5 - 8mm ± 0.20mm 8 - 30mm ± 0.40mm 30 - 120mm ± 0.50mm <small>UNLESS OTHERWISE SPECIFIED TOLERANCES FOR INCHES ARE:</small> .020 - .315 = ± 0.007" .315 - 1.180 = ± 0.015" 1.180 - 4.724 = ± 0.020" DO NOT SCALE DRAWING	APPROVALS	DATE	<h1 style="color: blue; text-align: center;">Amphenol Connex</h1>				
7					DRAWN	G.R.S.				09/24/06	
6					CHECKED			PART DESCRIPTION <h2 style="text-align: center;">SMA PANEL RECEPT. JACK</h2>			
5					ISSUED						
4					SHEET	1 OF 1		PART NO. <h2 style="text-align: center;">132142</h2>			
3	CONTACT PIN	BER. COPPER	GOLD		1						
2	INSULATOR	TEFLON	NATURAL		1	DWG. NO. 132142.DWG			REV. NC	SIZE A	SCALE NA
1	BODY	BRASS	GOLD		1						
	DESCRIPTION	MATERIAL	FINISH	QTY							