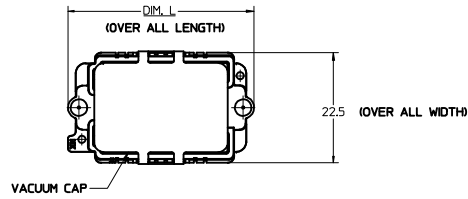
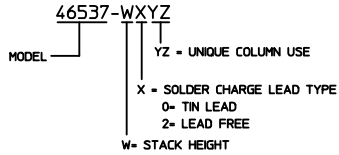


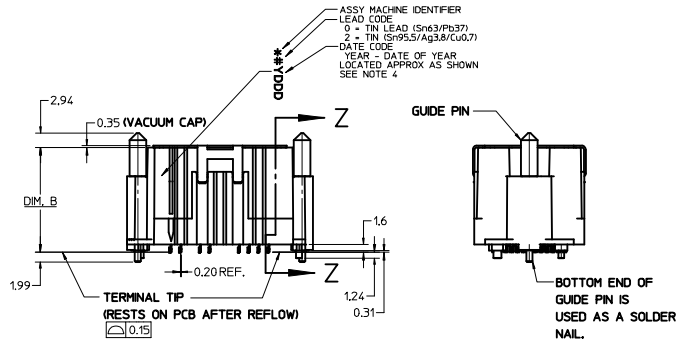
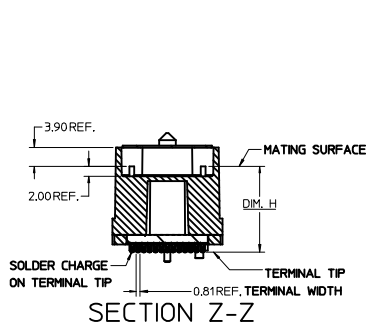
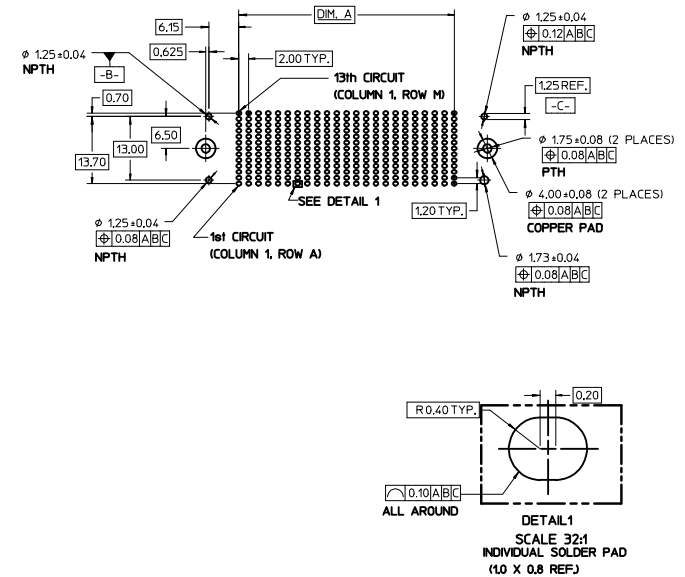
PART NUMBER	STACK HEIGHT	SOLDER CHARGE	CIRCUIT COUNT	AVAILABLE COLUMNS	USED COLUMNS	DIM. A	DIM. B	DIM. L	DIM. H	PACK PER PK-45830-001 STYLE: MM / COLS
465371200	20mm	Sn95.5 Ag3.8 Cu0.7	104 CKT	11	12,4,5,8,9,10,11	20.00	21.4	38.1	17.51	18 MM / 11 ROWS
465371000	20mm	SnPb (Eutectic)	104 CKT	11	12,4,5,8,9,10,11	20.00	21.4	38.1	17.51	18 MM / 11 ROWS
465371201	20mm	Sn95.5 Ag3.8 Cu0.7	143 CKT	11	ALL 11 ROWS	20.00	21.4	38.1	17.51	18 MM / 11 ROWS
465371001	20mm	SnPb (Eutectic)	143 CKT	11	ALL 11 ROWS	20.00	21.4	38.1	17.51	18 MM / 11 ROWS

PART NUMBER SYSTEM

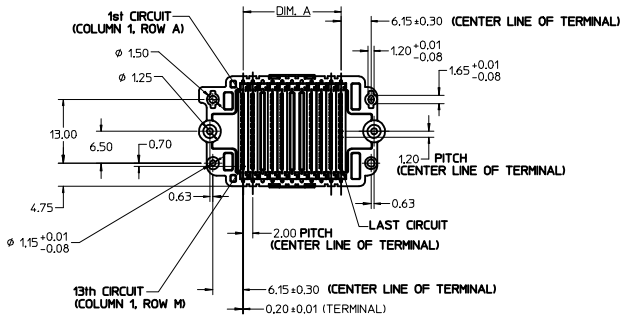


PCB FOOTPRINT LAYOUT

COMPONENT SIDE SHOWN
NOTE: DATUM A IS OPPOSITE SIDE OF PCB.
STENCIL APERTURE REQUIRED FOR 4.0 DIA. COPPER PAD
AS WELL AS SOLDER PAD.



- NOTES:
- MATERIAL:
HOUSING: BLACK, GLASS FILLED LCP
WAFER: GLASS FILLED LCP
GUIDE PIN: STAINLESS STEEL
TERMINALS: COPPER ALLOY
SOLDER CHARGE: SEE CHART
 - FINISH
GUIDE PIN: 2.25 MICRON MIN TIN OVER 13 MICRON MIN NICKEL.
TERMINALS: 0.75 MICRON MIN SELECT GOLD IN CONTACT AREA,
2.50 MICRON MIN SELECT TIN IN SOLDER TAIL AREA,
1.25 MICRON MIN OVERALL NICKEL.
 - PRODUCT SPECIFICATION: PS-45802-001
 - EACH PART TO HAVE LASER MARK
 - THIRTEEN (13) CIRCUITS PER COLUMN.
 - PART CONFORMS TO CLASS B REQUIREMENTS OF COSMETIC SPECIFICATION PS-45499-002.
 - PACKAGING SPECIFICATION: PK-45830-001



MOD LASER MARKING EC NO: UCP2013-3872 D: DRWNTI BARRA 2013/03/12 CHKD: BARKER 2013/03/12 APPR: SMILLER 2013/03/19 REV DESCRIPTION	QUALITY SYMBOLS ▽=0 ▽=0 ▽=0	GENERAL TOLERANCES (UNLESS SPECIFIED)		DIMENSION STYLE MM ONLY		SCALE 2:1		DESIGN UNITS METRIC		THIRD ANGLE PROJECTION	
		mm	INCH	DATE	TITLE	DATE	TITLE	DATE	TITLE	DATE	TITLE
		4 PLACES	±0.10	±---	RHODGE	5/30/07					
		3 PLACES	±0.15	±---	RHODGE	13NOV07					
		2 PLACES	±0.25	±---							
		0 PLACE	±	±	JCOMERCI	14NOV07					
		ANGULAR ±1/2°		MATERIAL NO.		DOCUMENT NO.		SHEET NO.		A	
		DRAFT WHERE APPLICABLE MUST REMAIN WITHIN DIMENSIONS		SEE TABLE		SD-46537-001		1 OF 1			
		THIS DRAWING CONTAINS INFORMATION THAT IS PROPRIETARY TO MOLEX INCORPORATED AND SHOULD NOT BE USED WITHOUT WRITTEN PERMISSION									