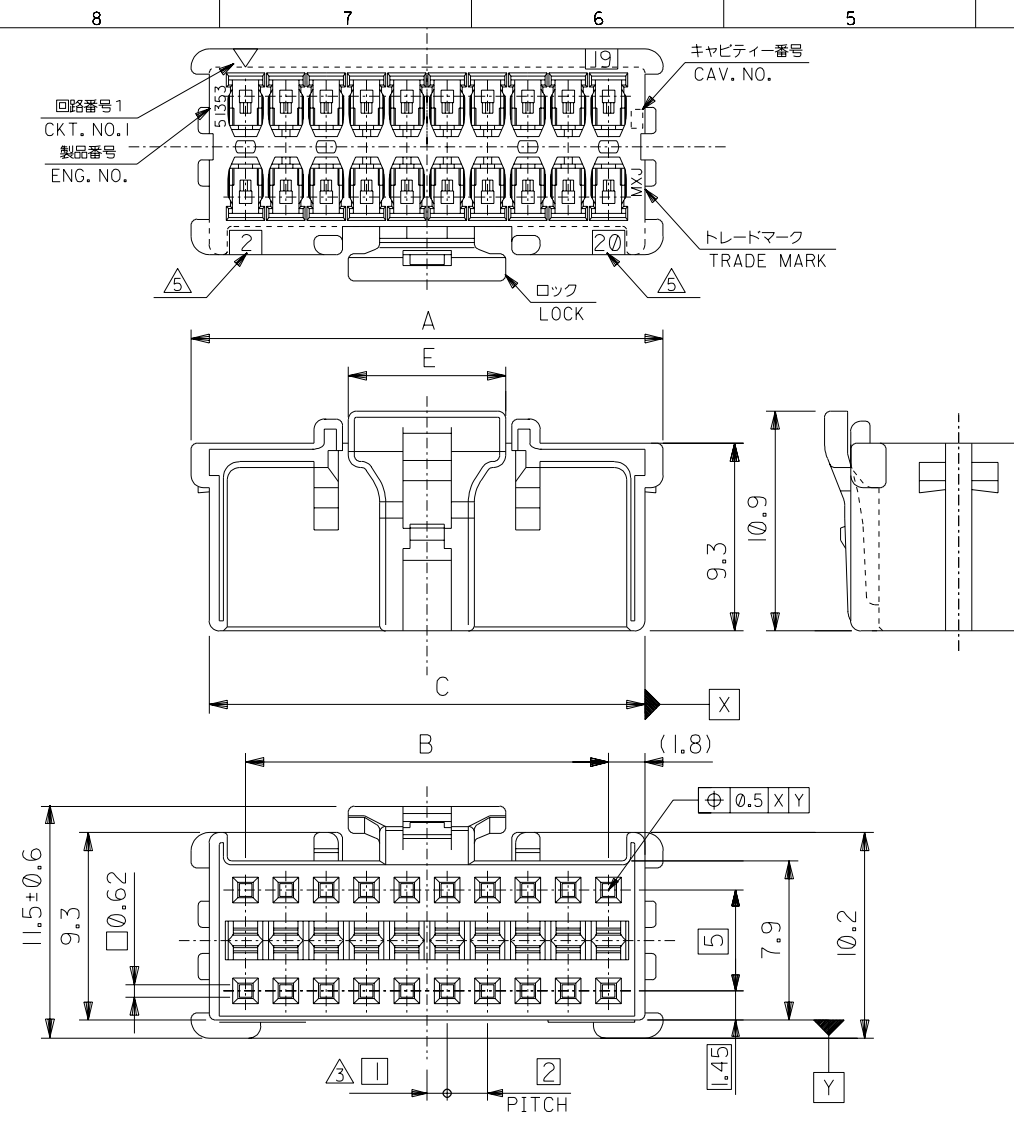


DO NOT SCALE DRAWING



**注記 NOTES**

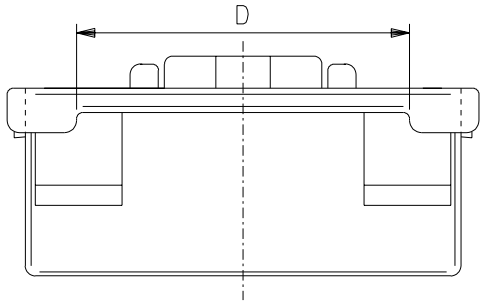
△ 適合ターミナル : 56134-9000, 9100  
 APPLICABLE TERMINAL : 56134-9000, 9100

2. 嵌合相手 : 55917, 55959 シリーズ  
 MATE WITH : 55917, 55959 SERIES  
 (全極数/2) = 偶数の場合に適用。  
 APPLY FOR (CIRCUIT/2)=EVEN

△ 製品番号 MATERIAL NO. 51353-\*\*-0\*  
 極数 CIRCUIT SIZE 色 COLOR

△ ロック側の回路番号表示は、8~14極は無し、16~40極は有り。  
 LOCK SIDE CKT. NO. DIDN'T INDICATED 8~14CKT,  
 INDICATE 16~40CKT.

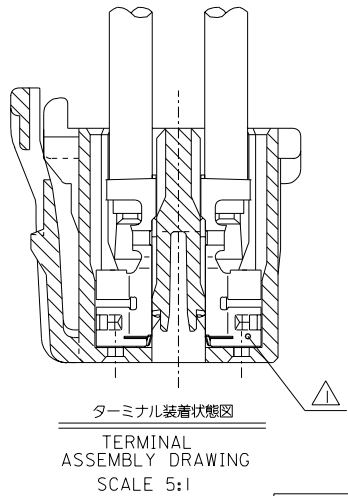
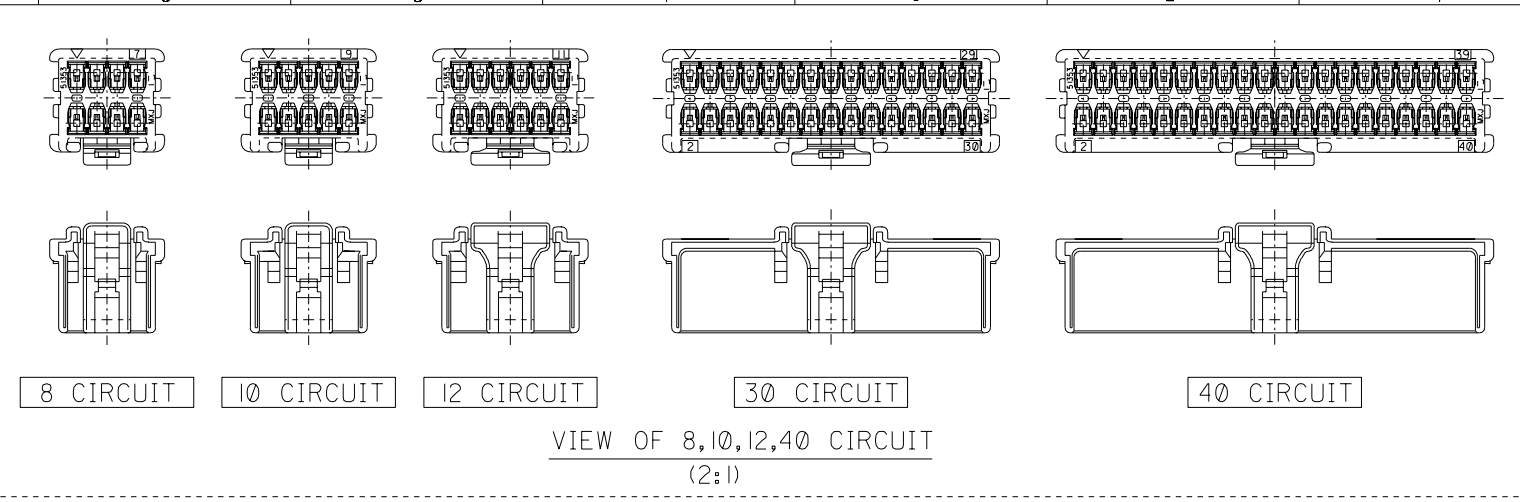
ナチュラル (白) NATURAL (WHITE)	0
黒 BLACK	1
赤 RED	2
黄 YELLOW	3
青 BLUE	4
桃 PINK	5
緑 GREEN	6
茶 BROWN	7
橙 ORANGE	8
紫 VIOLET	9



7.8	36.5	41.6	38	43.4	51353-400*	40
	34.5	39.6	36	41.4	-380*	38
	32.5	37.6	34	39.4	-360*	36
	30.5	35.6	32	37.4	-340*	34
	28.5	33.6	30	35.4	-320*	32
	26.5	31.6	28	33.4	-300*	30
	24.5	29.6	26	31.4	-280*	28
	22.5	27.6	24	29.4	-260*	26
	20.5	25.6	22	27.4	-240*	24
	18.5	23.6	20	25.4	-220*	22
	16.5	21.6	18	23.4	-200*	20
	14.5	19.6	16	21.4	-180*	18
	12.5	17.6	14	19.4	-160*	16
	10.5	15.6	12	17.4	-140*	14
7.8	8.5	13.6	10	15.4	-120*	12
4.7	6.5	11.6	8	13.4	-100*	10
4.7	4.5	9.6	6	11.4	51353-080*	8
E	D	C	B	A	MATERIAL NO.	CKT.

EC NO. DRWN: CHK: APPR:	REVISED	MATERIAL 材料	66NYLON, UL94V-0	GENERAL TOLERANCES: (UNLESS SPECIFIED) 一般公差	SCALE	DESIGN UNITS	MODEL NO.	DIMENSIONS:		SHT	REV		
	EC NO. J2003-0719 DRWN:N.ITO '02/10/22 CHK: K.ASAKAWA APPR:T.YAMAGUCHI				10 UNDER 未滿	mm	10mm	THIRD ANGLE PROJECTION	mm	INCH	mm	ONLY	REVISE ON CAD ONLY
	REVISED				10 OVER 30 UNDER 未滿	mm	INCH	mm	ONLY				
	EC NO. J2003-0066 DRWN:N.ITO '02/07/08 CHK: K.ASAKAWA APPR:T.YAMAGUCHI				30 OVER 以上	mm	INCH	mm	ONLY				
REVISED	RELEASED	FINISH 仕上げ	//	ANGLE 角度	3°	TITLE: 2.0mm W+-B DUAL CONN DIP RCPT HOUSING							
EC NO. J2002-2307 DRWN:N.ITO '02/03/18 CHK: K.ASAKAWA APPR:T.YAMAGUCHI	EC NO. J2002-1196 DRWN:N.ITO '01/12/17 CHK: K.ASAKAWA APPR:T.YAMAGUCHI	WIRE RANGE 適用線径範囲	//	CAD FILENAME 51353002.S01		MATERIAL NO. SEE CHART		DRAWING NO. SD-51353-002		SHEET NO. 1 OF 2			
REVISED	INS. RANGE 被覆外径	//	THIS DRAWING CONTAINS INFORMATION THAT IS PROPRIETARY TO MOLEX INCORPORATED AND SHOULD NOT BE USED WITHOUT WRITTEN PERMISSION.		SIZE B								

DWG. NO. SD-51353-002



DO NOT SCALE DRAWING

EC NO. DRWN: CH'K: APPR:	REVISED EC NO. J2003-0719 DRWN:N.ITO '02/09/12 CH'K: K.ASAKAWA APPR:T.YAMAGUCHI	REVISED EC NO. J2003-0066 DRWN:N.ITO '02/07/08 CH'K: K.ASAKAWA APPR:T.YAMAGUCHI	REVISED EC NO. J2002-2307 DRWN:N.ITO '02/03/18 CH'K: K.ASAKAWA APPR:T.YAMAGUCHI	RELEASED EC NO. J2002-1196 DRWN:N.ITO '01/12/17 CH'K: K.ASAKAWA APPR:T.YAMAGUCHI	MATERIAL 材料 SEE CHART 1 OF 2	GENERAL TOLERANCES: (UNLESS SPECIFIED) 一般公差	SCALE	DESIGN UNITS	THIRD ANGLE PROJECTION	DIMENSIONS: <input type="checkbox"/> mm <input type="checkbox"/> INCH <input checked="" type="checkbox"/> mm ONLY	SHT	REV REVISE ON CAD ONLY
	C	B	A	Ø	FINISH 仕上り //		10 UNDER 未満	±0.2				
					WIRE RANGE 適用線径範囲 //	10 OVER 30 UNDER 未満	±0.25	DRAWN BY & DATE N.ITO '01/12/17	TITLE: 2.0mm W+-B DUAL CONN DIP RCPT HOUSING			
					INS. RANGE 被覆外径 //	30 OVER 以上	±0.3	CHECKED BY & DATE K.ASAKAWA '02/09/12				
						ANGLE 角度	±3°	APPROVED BY & DATE T.YAMAGUCHI '02/09/12	MATERIAL NO. SEE CHART			
								CAD FILENAME 51353002.S02				
								THIS DRAWING CONTAINS INFORMATION THAT IS PROPRIETARY TO MOLEX INCORPORATED AND SHOULD NOT BE USED WITHOUT WRITTEN PERMISSION.				SHEET NO. 2 OF 2
												SIZE B