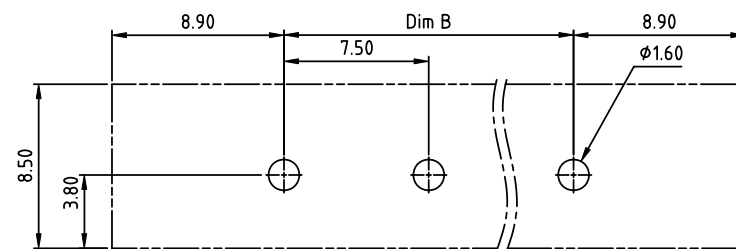
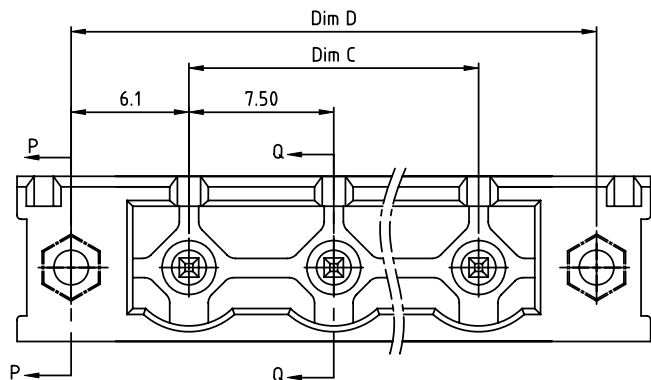
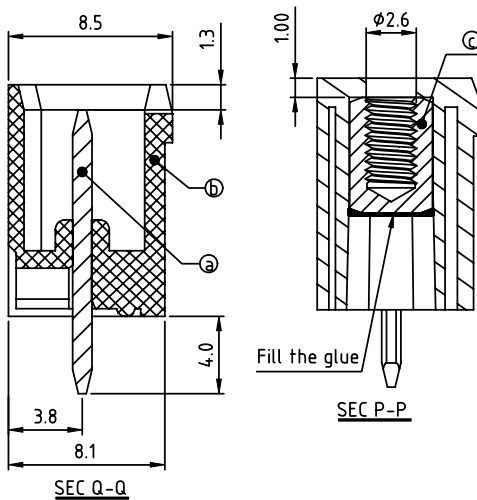
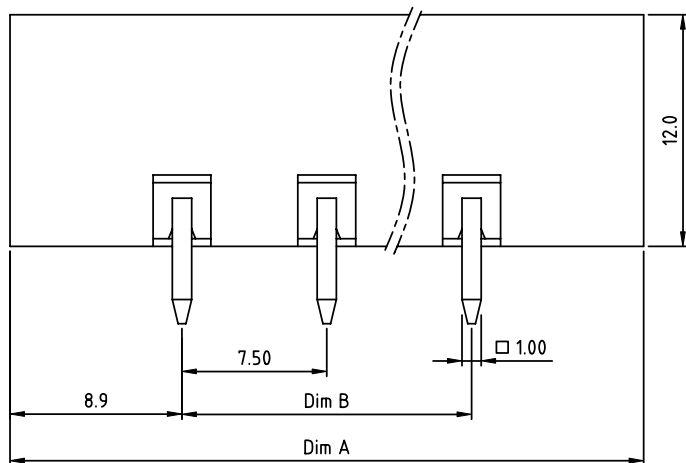


PRODUCT NUMBER	PITCH
OQxxA5x00J0G	7.50 mm



RECOMMENDED P.C.B LAYOUT
TOP VIEW



Material:

- Item ① Male contact pin: Copper Tin plated
- Item ② Terminal housing: Thermoplastic (UL94V-0)
- Item ③ Flange nut: Brass M2.5

Electrical: cULus TUV

- Voltage rating: 300V 750V
- Current rating: 20A 15A
- Withstanding Voltage: 1.6 KV 6KV
- Operating temperature: -40°C to +115°C
- Soldering temperature: 260°C±5°C/5 Sec
- Safety Approval: cULus TÜV

DIMENSION

Dim A	$(N+1) \times 7.5 + 2.8$
Dim B & C	$(N-1) \times 7.5$
Dim D	$(N-1) \times 7.5 + 12.2$

N= NUMBER OF POLES

Poles	Tolerance
2P-6P	±0.20
7P-12P	±0.30
13P-16P	±0.40

PART NO.: **OQ xx A 5 x 0 00J0 G**

No. of poles	Body Color	RoHS compliant
02 2 poles	0 Black (RAL9005)	(lead<4%)
03 3 poles	2 Red (RAL3001/D)	In copper Alloy
...	3 Orange(RAL2011/P)	
...	4 Yellow(RAL1018/A)	
16 16 poles	5 Green(RAL6018/T)	
	6 Blue (RAL5015/A)	
	8 Grey(RAL7035/D)	
	9 White(RAL1102)	
	C Green(RAL6018/U)	

mat'l. code	surface ASME Y14.5 ✓	tolerance ASME Y14.5	projection	product family	
ltr	ecn	no	dr	date	TERMINAL BLOCK
tolerances unless otherwise specified					
angles	$X \pm 0.5$	MM			
$X \pm 1^\circ$	$X.X \pm 0.3$	scale			
	$X.XX \pm 0.1$	PLUGGABLE SOCKET, WITH FLANGE, VERTICAL			
dr	HANKE FENG	040414	FCI	sheet 1 of 1 size	
enr	HANKE FENG	040414		OQxxA5x00J0G	
chr	SHI JUN	040414		A4	
appd	SHI JUN	040414		CUSTOMER Drawing	
sheet index	revision	A			
	sheet	1			