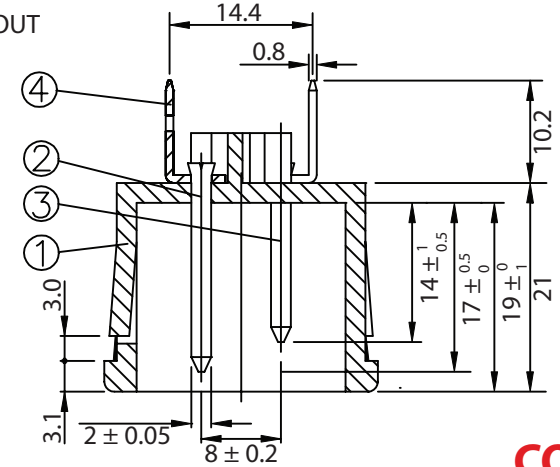
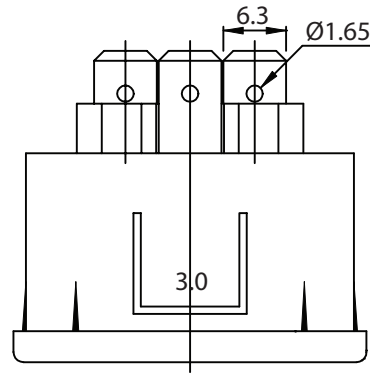
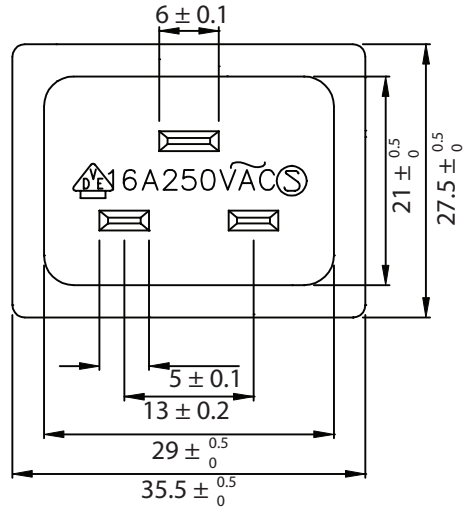
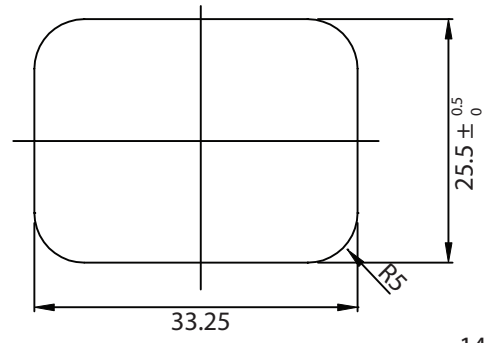
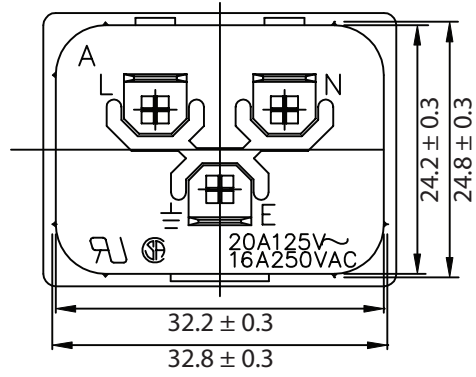


THESE DRAWINGS ARE THE PROPERTY OF QUALTEK ELECTRONICS AND NOT TO BE REPRODUCED FOR OR COMMUNICATED TO A THIRD PARTY WITHOUT THE EXPRESS WRITTEN PERMISSION OF AN OFFICER OF QUALTEK ELECTRONICS.

REVISION			
REV.	DESCRIPTION	DATE	APPROVED
B	RoHS Compliancy	06-01-06	D.P.
C	Updated Approvals	10-15-08	LY



CONTROLLED

NOTES:

RATING:

UL, CSA: 20A 125V AC/20A 250V AC
 VDE, CCC: 16A 250V AC
 APPROVALS: UL, CSA, VDE, CCC
 PANEL THICKNESS: 3.0mm
 IEC 60320 C20
 RoHS COMPLIANT

4	Soldering PIN Bronze Strip t=0.8mm Tin-Plated	3
3	Contact PIN Bronze Strip t=2mm Tin-Plated	2
2	Contact PIN Bronze Strip t=2mm Tin-Plated	1
1	Body Insulator PC 241R Black Color	1

Dim range (mm)	Tolerance +/- (mm)	Qualtek Electronics Corp. PPC DIVISION		
		Part Number: 745W-30/20	RoHS Compliant	
0-1	0.15	Description: AC RECEPTACLE		
1-6	0.20			
6-18	0.30			
18-50	0.50			
50-120	0.70			
120-250	0.90	UNIT: mm	REV. C	
250-500	1.20	Drawn / Date	Checked / Date	Approved / Date
		B.Zhang 06-22-05	06-22-05	JJH / 06-22-05