

LTM4676EY

26A Step-Down μ Module Regulator with PMBus Power System Management

DESCRIPTION

Demonstration circuit 2087A is a single-output, high efficiency, high density, μ Module[®] regulator with 4.5V to 16V input range. It can supply 26A maximum load current. The demo board has a LTM[®]4676 μ Module regulator, which is a dual 13A or single 26A step-down regulator with PMBus power system management. Please see LTM4676 data sheet for more detailed information.

DC2087A powers up to default settings and produces power based on configuration resistors without the need for any serial bus communication. This allows easy evaluation of the DC/DC converter. To fully explore the extensive power system management features of the part, download the GUI software LTpowerPlay[™] onto your PC and use LTC's I²C/SMBus/PMBus dongle DC1613A to connect to the

board. LTpowerPlay allows the user to reconfigure the part on the fly and store the configuration in EEPROM, view telemetry of voltage, current, temperature and fault status.

GUI Download

The software can be downloaded from:

<http://www.linear.com/ltpowerplay>

For more details and instructions of LTpowerPlay, please refer to LTpowerPlay GUI for LTM4676 Quick Start Guide.

Design files for this circuit board are available at
<http://www.linear.com/demo>

LT, LT, LTC, LTM, Linear Technology, the Linear logo and μ Module are registered trademarks and LTpowerPlay is a trademark of Linear Technology Corporation. All other trademarks are the property of their respective owners.

BOARD PHOTO

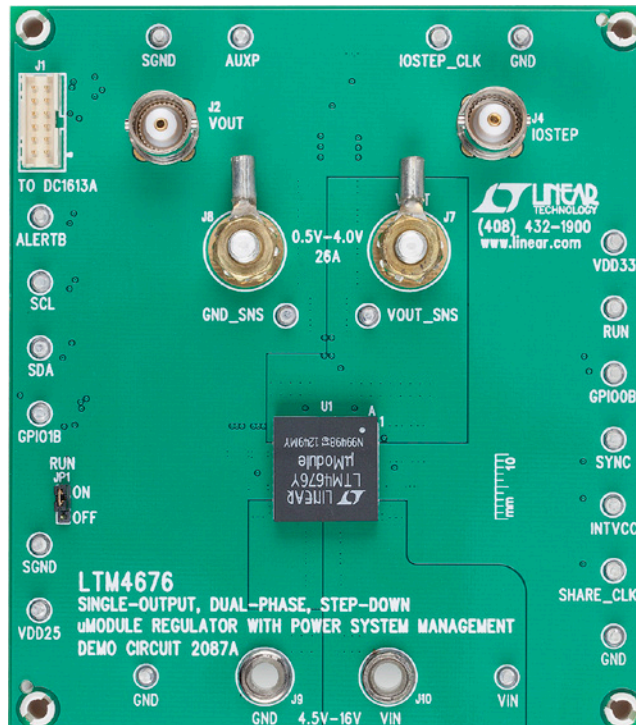


Figure 1. Single-Output LTM4676/DC2087A Demo Circuit

DEMO MANUAL DC2087A

PERFORMANCE SUMMARY Specifications are at $T_A = 25^\circ\text{C}$

PARAMETER	CONDITION	VALUE
Input Voltage Range		4.5V to 16V
Output Voltage, V_{OUT}	$V_{IN} = 4.5$ to 16V, $I_{OUT} = 0$ A to 26A	0.5V to 4V, Default: 1V
Maximum Output Current, I_{OUT}	$V_{IN} = 4.5$ to 16V, $V_{OUT} = 0.5$ V to 4V	26A
Typical Efficiency	$V_{IN} = 12$ V, $V_{OUT} = 1.2$ V, $I_{OUT} = 26$ A	83.2%
Default Switching Frequency		350kHz

QUICK START PROCEDURE

Table 1. LTM4676 Demo Cards for Up to 100A Point-of-Load Regulation

MAXIMUM OUTPUT CURRENT	NUMBER OF OUTPUT VOLTAGES	NUMBER OF LTM4676 μ MODULE REGULATORS ON THE BOARD	DEMO BOARD NUMBER
13A, 13A	2	1	DC1811A
26A	1	1	DC2087A
50A	1	2	DC1989A-A
75A	1	3	DC1989A-B
100A	1	4	DC1989A-C
100A	1	1(+3 \times LTM4620A)	DC2106A-A
130A	1	1(+3 \times LTM4630)	DC2106A-B

Demonstration circuit 2087A is easy to set up to evaluate the performance of the LTM4676EY. Refer to Figure 2 for the proper measurement equipment setup and follow the procedure below.

1. With power off, connect the input power supply to V_{IN} (4.5V–16V) and GND (input return).
2. Connect the 1.0V output load between V_{OUT} and GND (Initial load: no load).
3. Connect the DVMs to the input and outputs. Set default jumper position: JP1: ON.
4. Turn on the input power supply and check for the proper output voltages. V_{OUT} should be $1.0\text{V} \pm 1\%$.
5. Once the proper output voltages are established, adjust the loads within the operating range and observe the output voltage regulation, ripple voltage and other parameters.
6. Connect the dongle and control the output voltages from the GUI. See LTpowerPlay GUI for the LTM4676 Quick Start Guide for details.

Note: When measuring the output or input voltage ripple, do not use the long ground lead on the oscilloscope probe. See Figure 3 for the proper scope probe technique. Short, stiff leads need to be soldered to the (+) and (–) terminals of an output capacitor. The probe's ground ring needs to touch the (–) lead and the probe tip needs to touch the (+) lead.

Connecting a PC to DC2087A

You can use a PC to reconfigure the power management features of the LTM4676 such as: nominal V_{OUT} , margin set points, OV/UV limits, temperature fault limits, sequencing parameters, the fault log, fault responses, GPIOs and other functionality. The DC1613A dongle may be plugged when V_{IN} is present.

QUICK START PROCEDURE

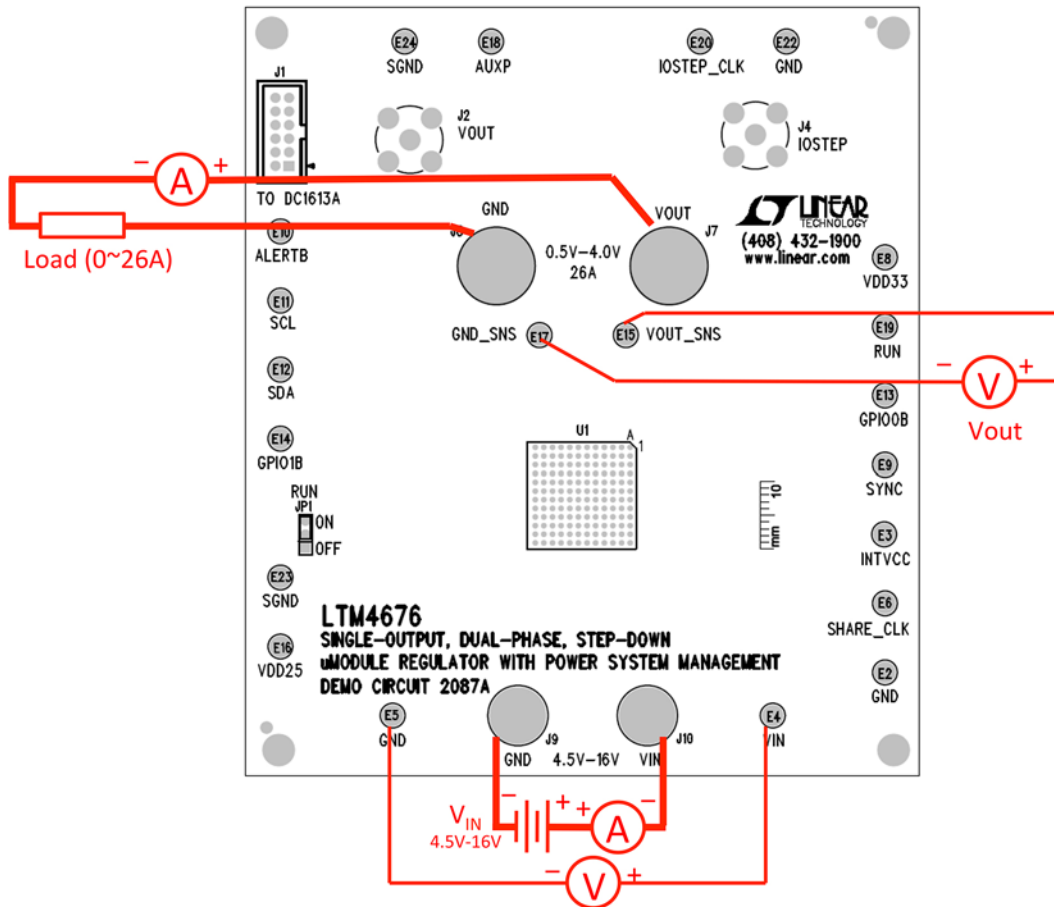


Figure 2. Proper Measurement Equipment Setup

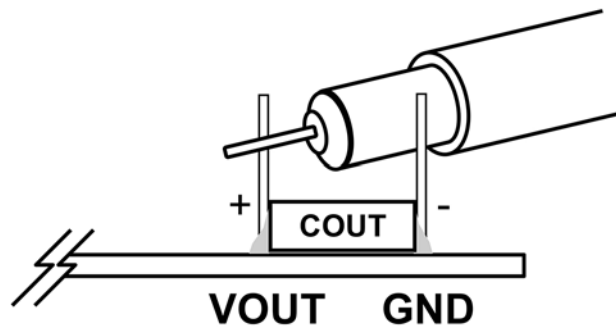


Figure 3. Proper Measurement Equipment Setup

QUICK START PROCEDURE

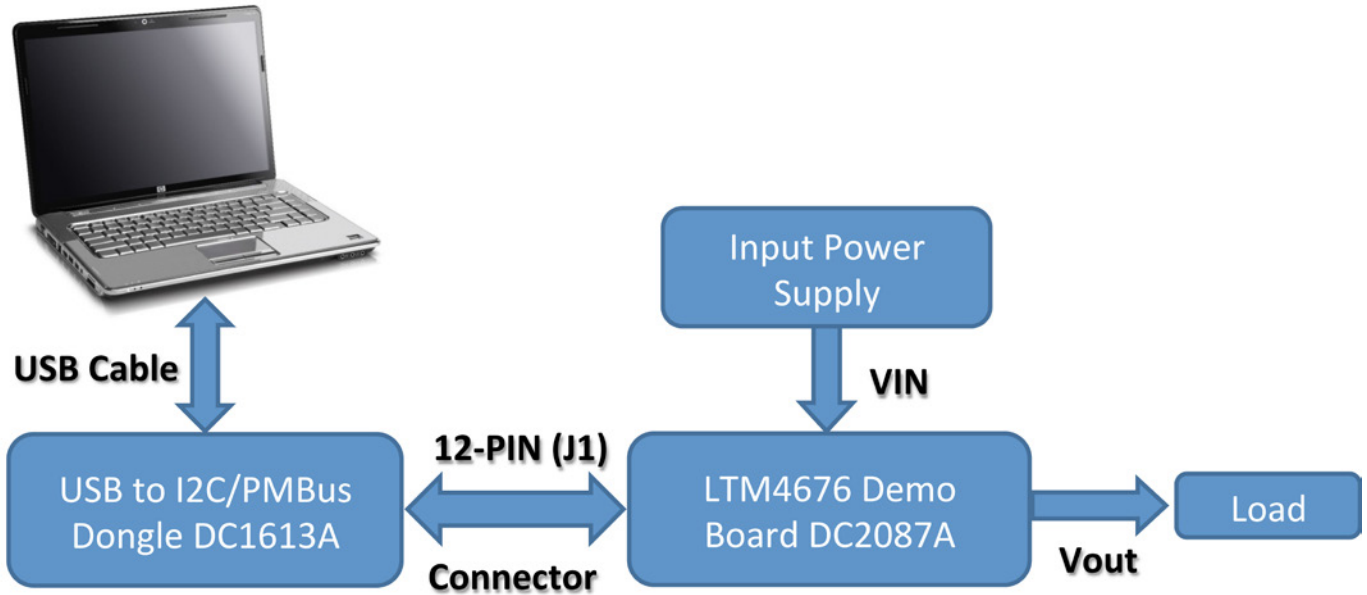


Figure 4. Demo setup with PC

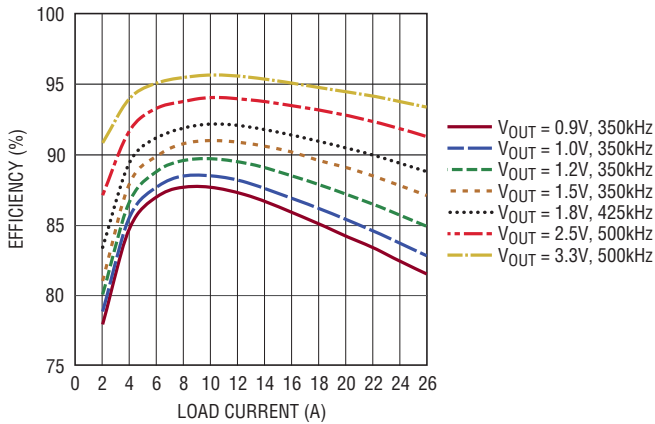


Figure 5. Efficiency vs Load Current at $V_{IN} = 5V$

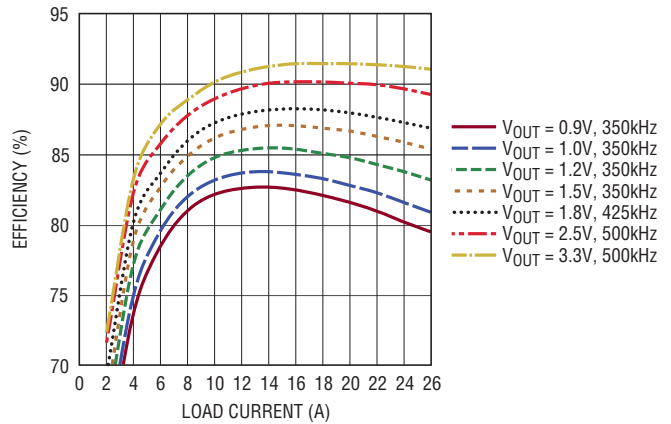


Figure 6. Efficiency vs Load Current at $V_{IN} = 12V$

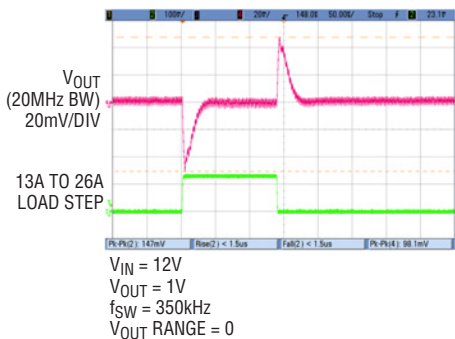


Figure 7. Output Voltage V_{OUT} vs Load Current

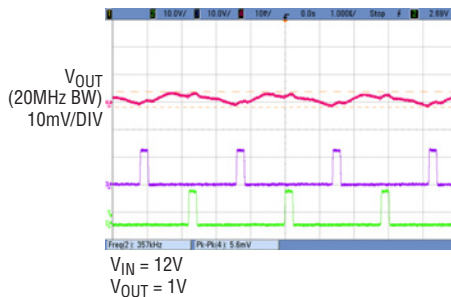


Figure 8. Output Voltage Ripple

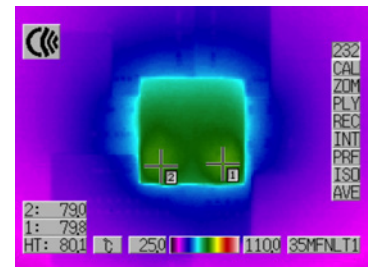


Figure 9. Thermal Performance

dc2087af

LTpowerPlay SOFTWARE GUI

LTpowerPlay is a powerful Windows-based development environment that supports Linear Technology power system management ICs, including the LTM4676, LTC®3880, LTC3883, LTC2974 and LTC2978. The software supports a variety of different tasks. You can use LTpowerPlay to evaluate Linear Technology ICs by connecting to a demo board system. LTpowerPlay can also be used in an offline mode (with no hardware present) in order to build a multichip configuration file that can be saved and reloaded at a later time. LTpowerPlay provides unprecedented diagnostic and debug features. It becomes a valuable diagnostic tool during board bring-up to program or tweak the power management scheme in a system, or to diagnose power

issues when bringing up rails. LTpowerPlay utilizes the DC1613A USB-to-SMBus controller to communicate with one of many potential targets, including the LTM4676, the LTC3880 and the LTC3883's demo system, or a customer board. The software also provides an automatic update feature to keep the software current with the latest set of device drivers and documentation. The LTpowerPlay software can be downloaded from:

<http://www.linear.com/ltpowerplay>

To access technical support documents for LTC Digital Power Products visit Help. View online help on the LTpowerPlay menu.

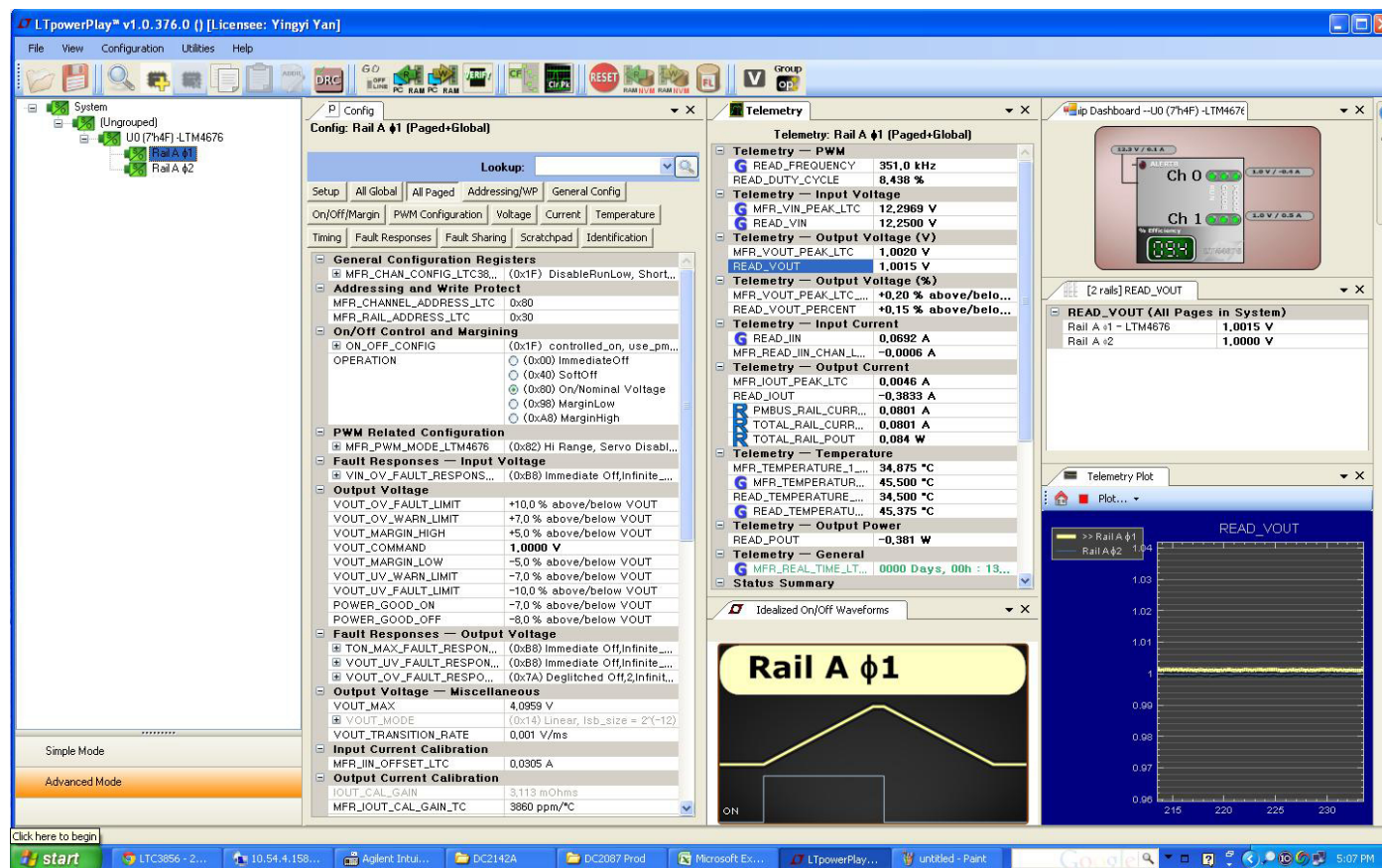


Figure 10. LTpowerPlay Main Interface

LTpowerPlay QUICK START PROCEDURE

The following procedure describes how to use LTpowerPlay to monitor and change the settings of LTM4676.

1. Download and install the LTPowerPlay GUI:

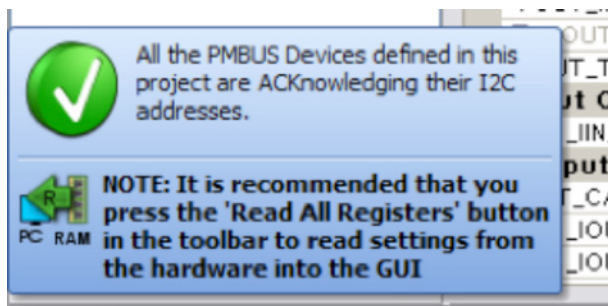
<http://www.linear.com/ltpowerplay>

2. Launch the LTpowerPlay GUI.

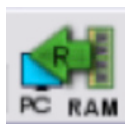
- a. The GUI should automatically identify the DC2087A. The system tree on the left hand side should look like this:



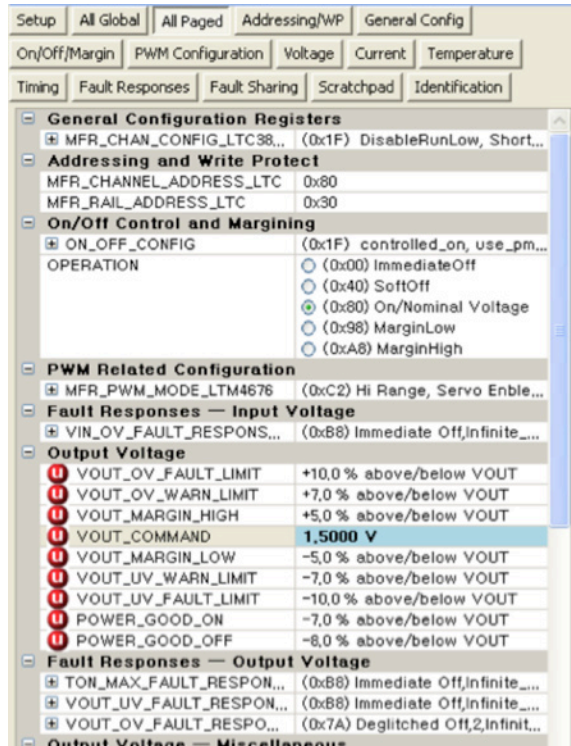
- b. A green message box shows for a few seconds in the lower left hand corner, confirming that LTM4676 is communicating:



- c. In the Toolbar, click the “R” (RAM to PC) icon to read the RAM from the LTM4676. This reads the configuration from the RAM of LTM4676 and loads it into the GUI.



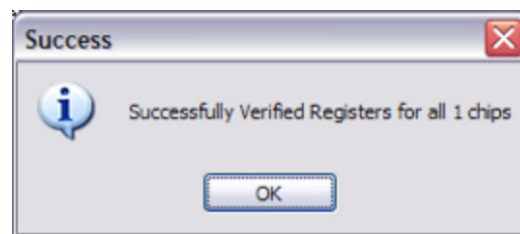
- d. If you want to change the output voltage to a different value, like 1.5V. In the Config tab, type in 1.5 in the VOUT_COMMAND box, like this:



Then, click the “W” (PC to RAM) icon to write these register values to the LTM4676. After finishing this step, you will see the output voltage will change to 1.5V.



If the write is successful, you will see the following message:



- e. You can save the changes into the NVM. In the tool bar, click “RAM to NVM” button, as following



- f. Save the demo board configuration to a (*.proj) file. Click the Save icon and save the file. Name it whatever you want.

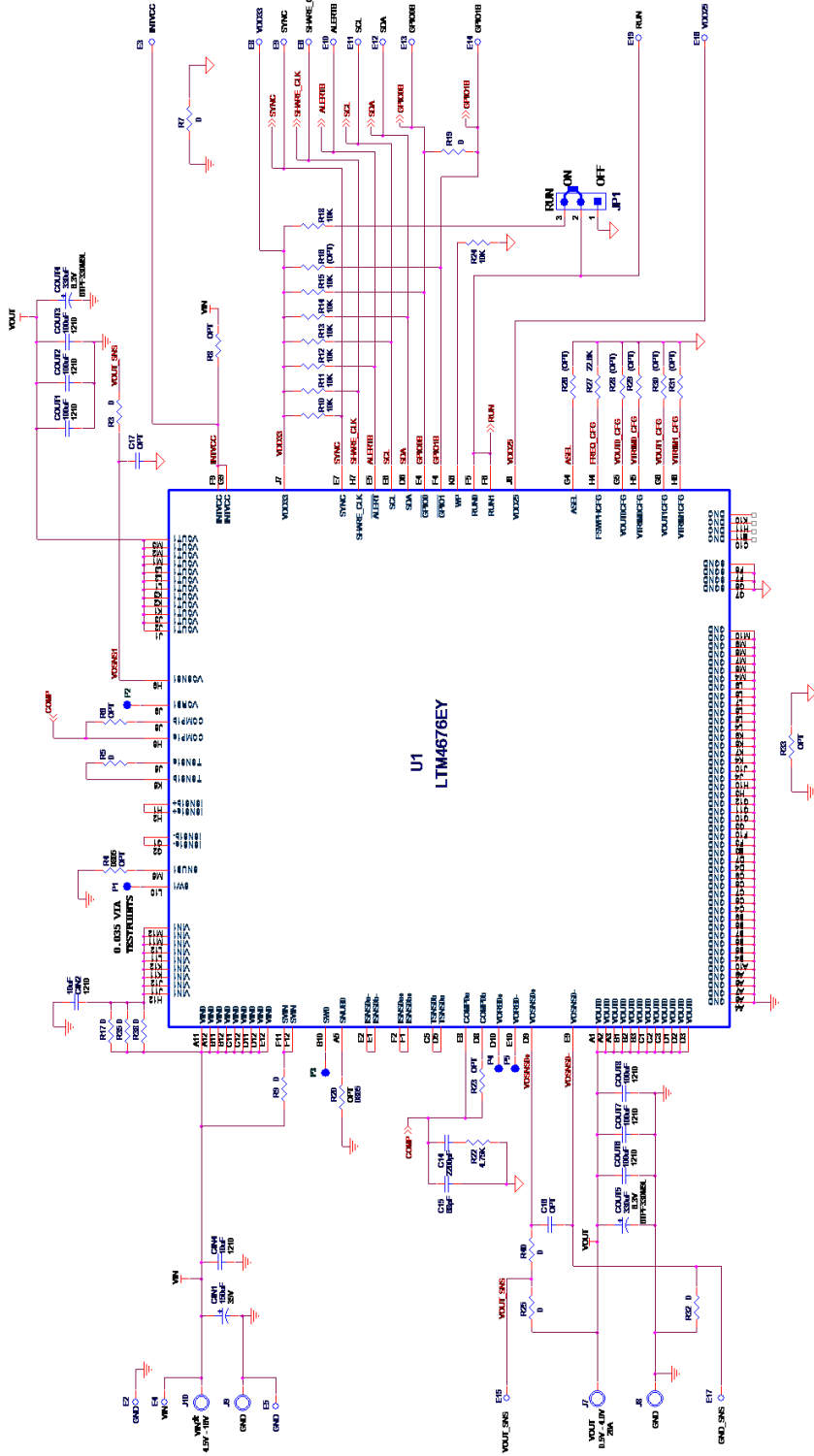
PARTS LIST

ITEM	QTY	REFERENCE	PART DESCRIPTION	MANUFACTURER/PART NUMBER
Required Circuit Components				
1	1	CIN1	CAP., 150µF, 35V, ALUMINUM ELECTR.,	SUN ELECT., 35CE150AX
2	2	CIN2, CIN4,	CAP., X5R, 10µF, 35V, 10%,1210	MURATA, GRM32ER6YA106KA12
3	6	COUT1-COUT3, COUT6-COUT8	CAP., X5R, 100µF, 6.3V, 20% 1210	MURATA, GRM32ER60J107ME20L
4	2	COUT4, COUT5	CAP., 330µF, 6.3V, POSCAP,D3L	SANYO, 6TPF330M9L
5	1	C14	CAP., X7R, 2200pF, 25V, 10%, 0603	MURATA, GRM188R71E222KA01D
6	1	C15	CAP., X7R, 68pF, 25V, 10%, 0603	AVX., 06033A680KAT2A
7	1	C20	CAP., X5R, 0.1µF, 16V, 10%,0603	MURATA, GRM188R61C104KA01D
8	1	C21	CAP., X5R, 1µF, 25V,10%, 0603	MURATA, GRM188R61E105KA12D
9	1	JP1	HEADER 3 PIN 0.079 SINGLE ROW	SAMTEC, TMM103-02-L-S
10	2	J2, J4	CONN, BNC, 5PINS	CONNEX, 112404
11	1	J1	CONN HEADER 12POS 2MM STR DL PCB	FCI 98414-G06-12ULF
12	2	J9, J10	BANANA SMALL	KEYSTONE, 575-4
13	2	J7, J8	STUD, TEST PIN	PEM KFH-032-10
14	4	J7, J8 X2	NUT, BRASS 10-32	ANY, #10-32M/S BR PL
15	2	J7, J8	RING, LUG #10	KEYSTONE, 8205
16	2	J7, J8	WASHER, TIN PLATED BRASS	ANY, #10 EXT BZ TN
17	1	Q1	MOSFET, N-CH 40V 50A TO-252	VISHAY, SUD50N04-8M8P-4GE3
18	8	R3, R5, R7, R9, R19, R25, R32, R40	RES., CHIP, 0Ω, 1%, 0603	NIC, NRC06Z0TR
19	11	R10-R15, R18, R24, R46, R47, R52	RES., CHIP, 10k, 1%, 0603	NIC, NRC06F1002TRF
20	1	R27	RES., CHIP, 22.6k, 1%, 0603	VISHAY, CRCW060322K6FKEA
21	2	R44, R45	RES., CHIP, 4.99k, 1%, 0603	NIC, NRC06F4991TRF
22	1	R22	RES., CHIP, 4.75k, 1%, 0603	VISHAY, CRCW06034K75FKEA
23	3	R17, R35, R38	RES., CHIP, 0Ω, 0.5W, 1210	VISHAY, CRCW12100000Z0EF
24	1	R53	RES., CHIP, 0.01, 1/2W, 1%, 2010	VISHAY, WSL2010R0100FEA
25	1	U1	IC, LTM4676EY#PBF	LINEAR TECH. LTM4676EY#PBF
26	1	U2	IC, EEPROM 2KBIT 400KHZ SOT23-6	MICROCHIP, 24LC025T-E/OT
Additional Demo Board Circuit Components				
1	0	C16, C17, COUT9, COUT10 (OPT)	CAP., OPTIONAL	OPT
2	0	R4, R6, R8, R20, R23, R33, R34 (OPT)	RES., 0603	OPT
3	0	R36, R37, R39, R16, R26, R28-R31 (OPT)	RES., CHIP OPTIONAL	OPT
4	0	R50 (OPT)	RES., CHIP, 30Ω, 1%, 2512	OPT
Hardware-For Demo Board Only				
1	21	E2-E6, E8-E20, E22-E24	TESTPOINT, TURRET, 0.062"	MILL-MAX, 2308-2-00-80-00-00-07-0
2	1	XJP1	SHUNT	SAMTEC, 2SN-BK-G
3	4	(STAND-OFF)	STAND-OFF, NYLON 0.50" tall	KEYSTONE, 8833 (SNAP ON)
4	1		FAB, PRINTED CIRCUIT BOARD	DEMO CIRCUIT 2087A

DEMO MANUAL DC2087A

SCHEMATIC DIAGRAM

REVISION HISTORY				
ECO	REV	DESCRIPTION	APPROVED	DATE
—	2	PRODUCTION	VERITY	9-10



NOTE: UNLESS OTHERWISE SPECIFIED

1. ALL RESISTORS ARE 0603.
- ALL CAPACITORS ARE 0603.

* WHEN VIN < 5.75V, SHORT INTVCC TO VIN WITH R0 = 0ohm.

CUSTOMER NOTICE		APPROVALS	
LINEAR TECHNOLOGY HAS MADE A BEST EFFORT TO DESIGN A CIRCUIT THAT MEETS OUR SPECIFICATIONS. CUSTOMERS SHOULD VERIFY THAT THEY ARE USING THE CORRECT PART NUMBER AND THAT THE PART NUMBER IS THE ACTUAL PART NUMBER. CUSTOMERS SHOULD VERIFY THAT THE PART NUMBER IS THE ACTUAL PART NUMBER. CUSTOMERS SHOULD VERIFY THAT THE PART NUMBER IS THE ACTUAL PART NUMBER.		DESIGNED BY	DATE
CUSTOMER NOTICE: THIS CIRCUIT IS PROVIDED AS A DEMO ONLY AND IS NOT INTENDED FOR PRODUCTION. CUSTOMERS SHOULD VERIFY THAT THE PART NUMBER IS THE ACTUAL PART NUMBER. CUSTOMERS SHOULD VERIFY THAT THE PART NUMBER IS THE ACTUAL PART NUMBER.		APPROVED BY	DATE
TITLE: SCHEMATIC		SCALE: 1:1	SHEET 1 OF 2
SUBTITLE: SINGLE-PHASE, STEP-DOWN CONVERTER WITH CURRENT SENSE		REV: 2	DATE: Friday, September 06, 2013
PART NO. LTM4676EY		REV: 2	DATE: Friday, September 06, 2013
IC NO. LTM4676EY		REV: 2	DATE: Friday, September 06, 2013
DEMO CIRCUIT 2087A		REV: 2	DATE: Friday, September 06, 2013
SCALE: 1:1		REV: 2	DATE: Friday, September 06, 2013
SHEET 1 OF 2		REV: 2	DATE: Friday, September 06, 2013

DEMO MANUAL DC2087A

DEMONSTRATION BOARD IMPORTANT NOTICE

Linear Technology Corporation (LTC) provides the enclosed product(s) under the following **AS IS** conditions:

This demonstration board (DEMO BOARD) kit being sold or provided by Linear Technology is intended for use for **ENGINEERING DEVELOPMENT OR EVALUATION PURPOSES ONLY** and is not provided by LTC for commercial use. As such, the DEMO BOARD herein may not be complete in terms of required design-, marketing-, and/or manufacturing-related protective considerations, including but not limited to product safety measures typically found in finished commercial goods. As a prototype, this product does not fall within the scope of the European Union directive on electromagnetic compatibility and therefore may or may not meet the technical requirements of the directive, or other regulations.

If this evaluation kit does not meet the specifications recited in the DEMO BOARD manual the kit may be returned within 30 days from the date of delivery for a full refund. **THE FOREGOING WARRANTY IS THE EXCLUSIVE WARRANTY MADE BY THE SELLER TO BUYER AND IS IN LIEU OF ALL OTHER WARRANTIES, EXPRESSED, IMPLIED, OR STATUTORY, INCLUDING ANY WARRANTY OF MERCHANTABILITY OR FITNESS FOR ANY PARTICULAR PURPOSE. EXCEPT TO THE EXTENT OF THIS INDEMNITY, NEITHER PARTY SHALL BE LIABLE TO THE OTHER FOR ANY INDIRECT, SPECIAL, INCIDENTAL, OR CONSEQUENTIAL DAMAGES.**

The user assumes all responsibility and liability for proper and safe handling of the goods. Further, the user releases LTC from all claims arising from the handling or use of the goods. Due to the open construction of the product, it is the user's responsibility to take any and all appropriate precautions with regard to electrostatic discharge. Also be aware that the products herein may not be regulatory compliant or agency certified (FCC, UL, CE, etc.).

No License is granted under any patent right or other intellectual property whatsoever. **LTC assumes no liability for applications assistance, customer product design, software performance, or infringement of patents or any other intellectual property rights of any kind.**

LTC currently services a variety of customers for products around the world, and therefore this transaction **is not exclusive**.

Please read the DEMO BOARD manual prior to handling the product. Persons handling this product must have electronics training and observe good laboratory practice standards. **Common sense is encouraged.**

This notice contains important safety information about temperatures and voltages. For further safety concerns, please contact a LTC application engineer.

Mailing Address:

Linear Technology
1630 McCarthy Blvd.
Milpitas, CA 95035

Copyright © 2004, Linear Technology Corporation